

PRODUCT INFORMATION PACKET



Model No: 985.658C
Catalog No: M1125218.00
...58:1.31RPM.220LBIN.1/8HP.30...DC GEARMOTORS SUB-FHP.12V..TENV.985.658C
P300 Series



Regal and Leeson are trademarks of Regal Beloit Corporation or one of its affiliated companies.
©2018 Regal Beloit Corporation, All Rights Reserved. MC017097E





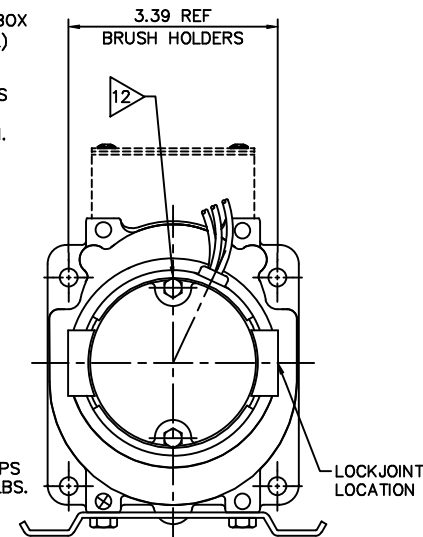
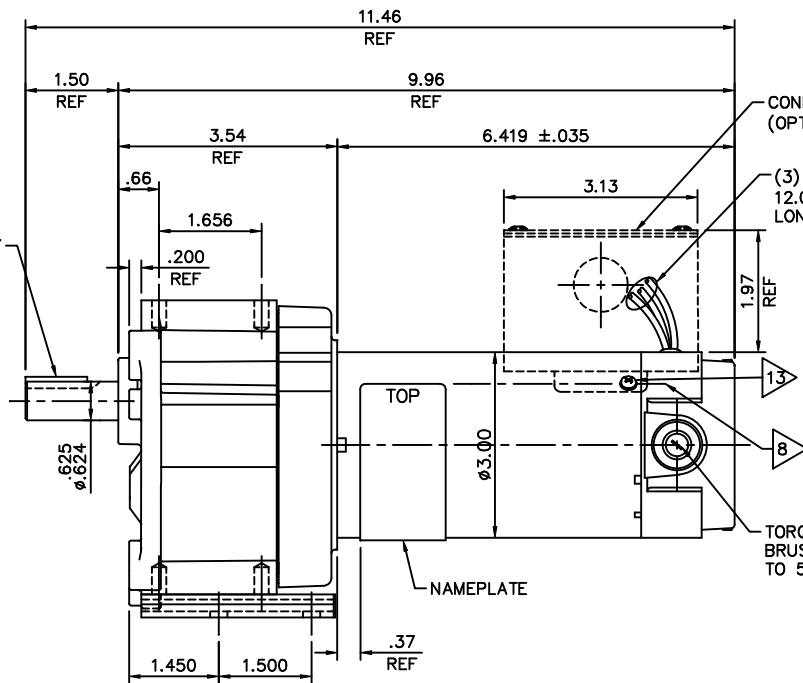
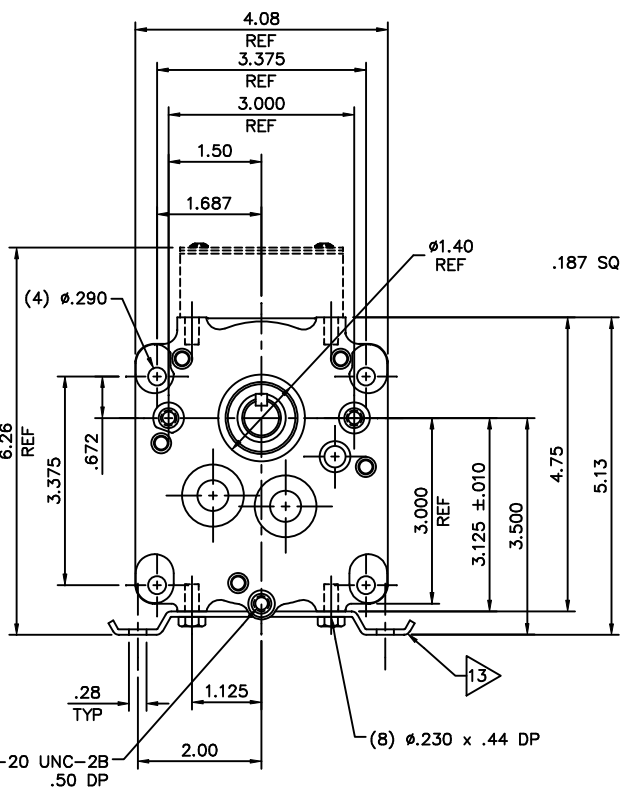
Nameplate Specifications

Output HP	0.13 Hp	Output KW	0.10 kW
Voltage	12 V	Current	10.6 A
Speed	31 rpm	Service Factor	1
Efficiency	60.4 %	Duty	Continuous
Insulation Class	F	Frame	30
Enclosure	Totally Enclosed Non Ventilated	Overload Protector	No
Ambient Temperature	40 °C	Drive End Bearing Size	6000
Opp Drive End Bearing Size	6000	UL	Recognized
CSA	Y	CE	N

Technical Specifications

Rotation	Reversible	Mounting	Special
Shaft Type	Parallel	Overall Length	11.46 in
Frame Length	4.91 in	Shaft Diameter	0.625 in
Shaft Extension	1.5 in		
Outline Drawing	M1030941-M1125218	Connection Diagram	M112521800FI

This is an uncontrolled document once printed or downloaded and is subject to change without notice. Date Created: 10/15/2018



(3) 1/4-20 UNC-2B .50 DP
(8) Ø.230 x .44 DP

- NOTES:
- 1) ROTATION: REVERSIBLE
 - 2) HIPOT: 1250 VAC FOR ONE SECOND; RED & BLACK LEADS TO CASE
 - 3) LEADS: 14 GA
 - 4) BEARINGS: BALL BEARINGS BOTH ENDS
 - 5) CASTINGS: GEARBOX-DIE CAST ALUMINUM, REAR ENDCAP-DIE CAST ZINC
 - 6) MAGNET TUBE: ZINC PLATED STEEL
 - 7) INSULATION: CLASS F 155°C
 - 8) NAME PLATE MUST BE IN LINE WITH HOLE WITHIN .06"
 - 9) TEST AND LUBRICATE GEARBOX PER 890.178
 - 10) PAINT PER DRAWING #PP985.6XX
 - 11) PACKAGE FOR SHIPMENT PER 890.179
 - 12) TORQUE THROBOLTS TO 20-25 IN-LB
 - 13) INSTALL BRACKET & CONDUIT BOX SCREWS AT FINAL ASSEMBLY BEFORE PAINTING

MODEL No.	VOLTAGE	CATALOG No.	TYPE	RATIO	TORQUE	HP	RPM
985.658	12VDC	M1125218.00	DN	58:1	220 IN-LB	1/8	31
985.659	12VDC	M1125219.00	DN	35:1	130 IN-LB	1/8	51
985.660	12VDC	M1125220.00	DN	29:1	113 IN-LB	1/8	61

				TOLERANCES UNLESS SPECIFIED		LEESON	ELECTRIC MOTORS GEARMOTORS AND DRIVES	DRAWN	KLS 9/24/04		
				DEC.	INCHES			CHK	IPG 9/24/04		
				.X	±.1	TITLE		APPD			
				.XX	±.03	30 FRAME DC - P300 GEARBOX		SCALE	1=2		
01	VALUES FOR HP & RPM WERE 1/20 AND 5, ECR 87703	VS	2/9/05	BC	.XXX	±.005	REF	M1125218-200L			
00	RELEASED PER ECR 87604	KLS	09/24/04	IPG	.XXXX	±.0005	MAT'L	FMF M1125218.00			
NO.	REVISION	BY & DATE	CHK	ANG	±1/2"	FINISH	PREV				
THIS DRAWING IN DESIGN AND DETAIL IS OUR PROPERTY AND MUST NOT BE USED EXCEPT IN CONNECTION WITH OUR WORK ALL RIGHTS OF DESIGN AND INVENTION ARE RESERVED THIS IS AN ELECTRONICALLY GENERATED DOCUMENT - DO NOT SCALE THIS PRINT						RFP	CAD FILE	M1030941	SIZE	DRAWING NO.	REV.
						DIST	B	M1030941.00	B	M1030941.00	01

1. HIPOT @ 1250 VOLTS FOR ONE SECOND, RED & BLACK LEADS TO CASE
 2. RED LEAD POS (+)
 - BLACK LEAD NEG (-)
 3. RUN IN @ 12 VDC, 2.30 MAX AMPS, NO LOAD
 4. TORQUE THRU BOLTS TO 20-25 LB. IN.
 5. ALL MOTORS TO BE RUN-IN AT FREE-LOAD FOR 30 MINS. [REVERSING DIRECTION AT 15 MINUTES] AT 12±1 VDC.
- } CCWSE (MOTOR ONLY-SHAFT OUTPUT END)


CHECKS TO OUTLINE DRAWING

- A. LEAD LENGTH & STRIP
- B. SHAFT ROTATION (GEARBOX)
- C. LABEL CORRECT, POSITION (CRITICAL) & DATE CODE
- D. -
- E. PAINT - SMOOTH. COMPLETE & NO RUNS
- F. MOUNTING BASE ON GEARBOX
- G. CONDUIT BOX SCREWS
- H. GEARBOX ID
- J. GEARBOX OIL PLUG TORQUE (24 LB. IN.)

PERFORMANCE SPECIFICATIONS

TORQUE	SPEED	MAX AMPS
110 LB. IN.	31-34	7.0
200 LB. IN.	30-33	10.75

UL NUMBER: 985.658

				TOLERANCES UNLESS SPECIFIED		 ELECTRIC MOTORS GEARMOTORS AND DRIVES	DRAWN AD 1/29/01		
				DEC.	INCHES		CHK		
03	REMOVED KEY & RUBBER BAND/"D"OUT.CHKS. ECR83964	RPB 12/17/03	BC	.X	±.1	TITLE FINAL INSPECTION 30 FRAME DC - P300 GEARBOX MAT'L. FINISH	APPD		
02	CHG'D NOTE 5	JKM 11/8/02		.XX	±.01		SCALE	1=1	
01	2.30 W .88; 7.00 W 6.0; 10.75 W 10.50	AD 3/20/01		.XXX	±.005		REF		
00	RELEASE	AD 1/29/01		.XXXX	±.0005		FMF		
NO.	REVISION	BY & DATE	CHK	ANG	±1/2'		PREV		
THIS DRAWING IN DESIGN AND DETAIL IS OUR PROPERTY AND MUST NOT BE USED EXCEPT IN CONNECTION WITH OUR WORK ALL RIGHTS OF DESIGN AND INVENTION ARE RESERVED THIS IS AN ELECTRONICALLY GENERATED DOCUMENT - DO NOT SCALE THIS PRINT				RFP	CAD FILE	M112521800FI	SIZE	DRAWING NO.	REV.
				DIST			A	M1125218.00FI	03