

PRODUCT INFORMATION PACKET



Model No: CM31P17FZ3A

Catalog No: M1125129.00

PZ...60:1.28RPM.100LBIN..06HP.31...AC GEARMOTORS SUB-FHP./115V.1PH.60HZ.TEFC.CM31P17FZ3A
PZ Series



Regal and Leeson are trademarks of Regal Beloit Corporation or one of its affiliated companies.

©2018 Regal Beloit Corporation, All Rights Reserved. MC017097E





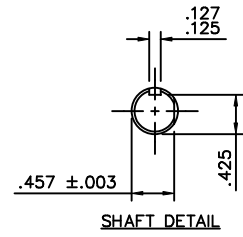
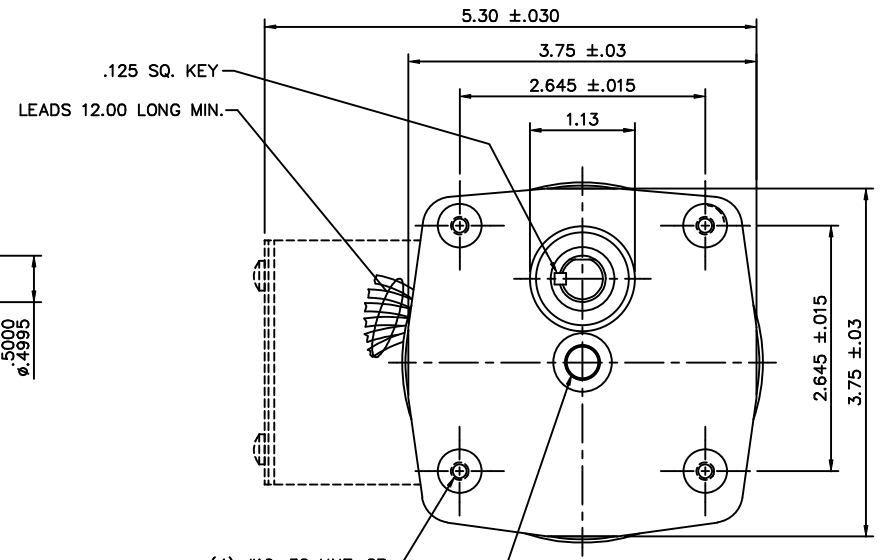
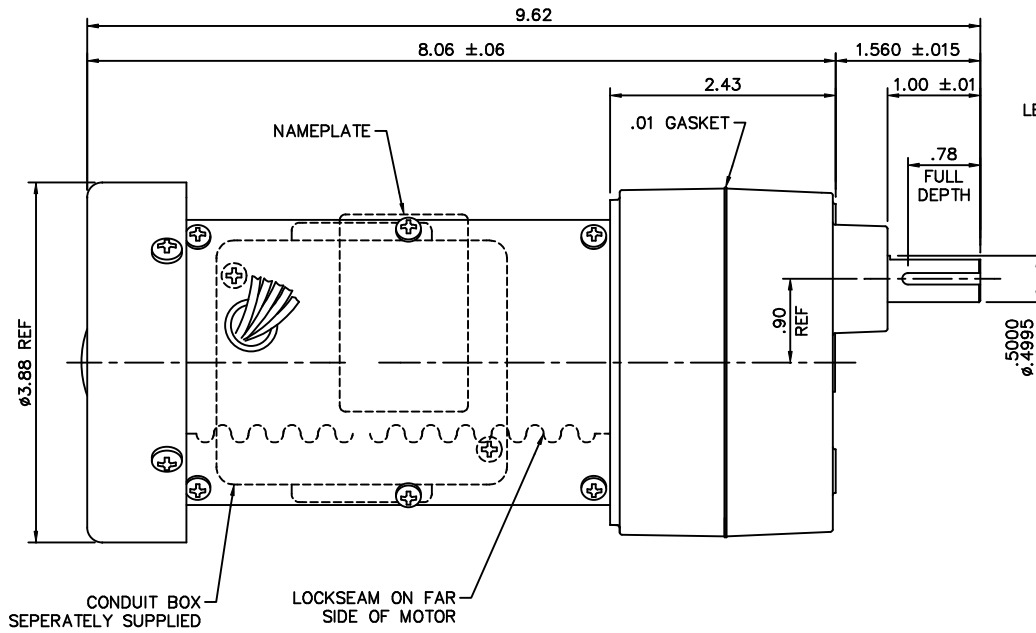
Nameplate Specifications

Output HP	0.06 Hp	Output KW	0.04 kW
Frequency	60 Hz	Voltage	115 V
Current	0.90 A	Speed	28 rpm
Service Factor	1	Phase	1
Duty	Continuous	Insulation Class	F
KVA Code	C	Frame	31
Enclosure	Totally Enclosed Fan Cooled	Overload Protector	No
Ambient Temperature	40 °C	Drive End Bearing Size	6000
Opp Drive End Bearing Size	6000	UL	Recognized
CSA	Y	CE	Y

Technical Specifications


Rotation	Reversible	Mounting	Special
Shaft Type	Parallel	Overall Length	9.62 in
Frame Length	4.63 in	Shaft Diameter	0.500 in
Shaft Extension	1 in		
Outline Drawing	OLM1125129	Connection Diagram	M1005089.01

This is an uncontrolled document once printed or downloaded and is subject to change without notice. Date Created: 10/15/2018

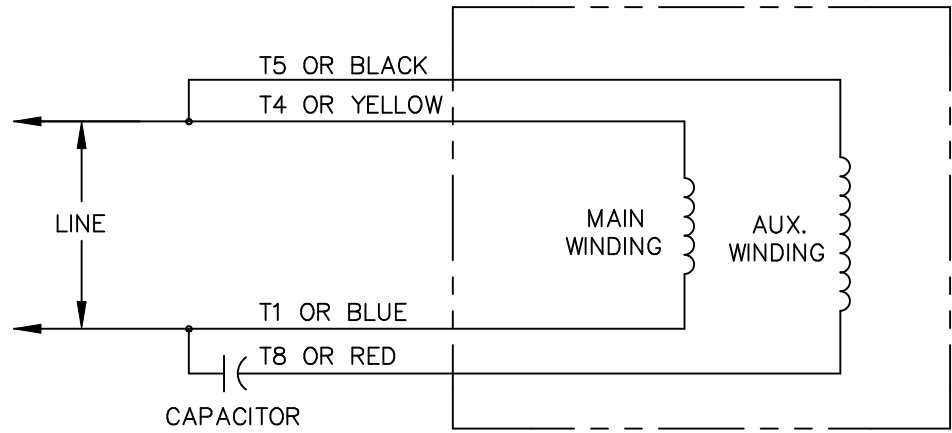


- NOTES:
 1. ALL GEARING IS STEEL IN COMPOSITION
 2. GEARING IS OF AGMA #8 QUALITY OR BETTER

HP	RATIO NOMINAL	SAFE TORQUE LB.-IN	RPM OUT-PUT
1/15	60:1	100	28

		TOLERANCES UNLESS SPECIFIED		 ELECTRIC MOTORS GEARMOTORS AND DRIVES	DRAWN			
		DEC.	INCHES		BPW 12/18/01			
		.X	±.1		CHK			
		.XX	±.03	TITLE	APPD			
02	CONDUIT BOX SEPERATELY SUPPLIED	.XXX	±.005	31 FRAME A.C. PZ GEARBOX	SCALE 3=4			
01	ROTATED SHAFT FLAT 180°, PER ECR 79989	.XXXX	±.0005	MAT'L	REF M1030607.00			
NO.	REVISION	BY & DATE	CHK	ANG	FINISH	PREV		
				±1/2"	LEESON STOCK			
THIS DRAWING IN DESIGN AND DETAIL IS OUR PROPERTY AND MUST NOT BE USED EXCEPT IN CONNECTION WITH OUR WORK ALL RIGHTS OF DESIGN AND INVENTION ARE RESERVED THIS IS AN ELECTRONICALLY GENERATED DOCUMENT - DO NOT SCALE THIS PRINT				RFP	CAD FILE	SIZE	DRAWING NO.	REV.
				DIST	OLM1125129	B	OLM1125129	02

```
ERROR: syntaxerror
OFFENDING COMMAND: --nostringval--
STACK:
  /im
  -savelevel -
```



CONNECTIONS SHOWN FOR CCW ROTATION FACING LEAD END.
TO REVERSE ROTATION INTERCHANGE T4(YELLOW) AND T1(BLUE) LEADS

				TOLERANCES UNLESS OTHERWISE SPECIFIED		LEESON ELECTRIC CORPORATION			
				DECIMALS					
				.00	± .01	DRAWN SJB 12/21/89	TITLE		
02	ADDED T1 AND T4 TO REVERSE INSTUCTIONS	DWD	4/7/97	.000	± .005	CH'K'D.	EXTERNAL WIRING DIAGRAM		
01	REDRAWN ON CAD	RJB PTZ	11/16/92	.0000	± .0005	APPR.	MAT'L. "P" TYPE W/O PROTECTOR		
NO.	REVISION	BY	DATE	FRACTIONS	± 1/64	SCALE 1=1	DUAL ROT., ROT. BASED ON ODD # GEAR STAGE		
THIS DRAWING IN DESIGN AND DETAIL IS OUR PROPERTY AND MUST NOT BE USED EXCEPT IN CONNECTION WITH OUR WORK ALL RIGHTS OF DESIGN AND INVENTION ARE RESERVED				ANGLES	± 1/2°	REF.	FINISH	SIZE	DRAWING NO.
				INCH/MM		FMF		A	M1005089.01