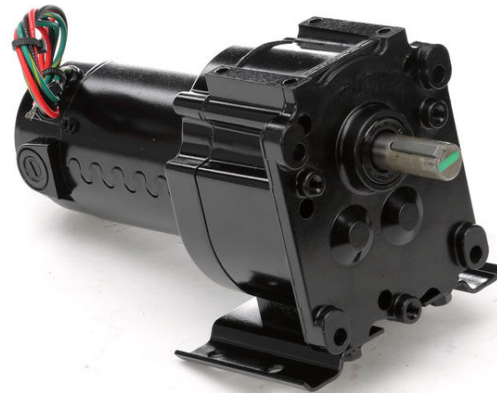


PRODUCT INFORMATION PACKET



Model No: 985.756A
Catalog No: M1125093.00
...29:1.60RPM.45LBIN.1/20HP.30...DC GEARMOTORS SUB-FHP.180V..TENV
P300 Series



Regal and Leeson are trademarks of Regal Beloit Corporation or one of its affiliated companies.
©2018 Regal Beloit Corporation, All Rights Reserved. MC017097E





Nameplate Specifications

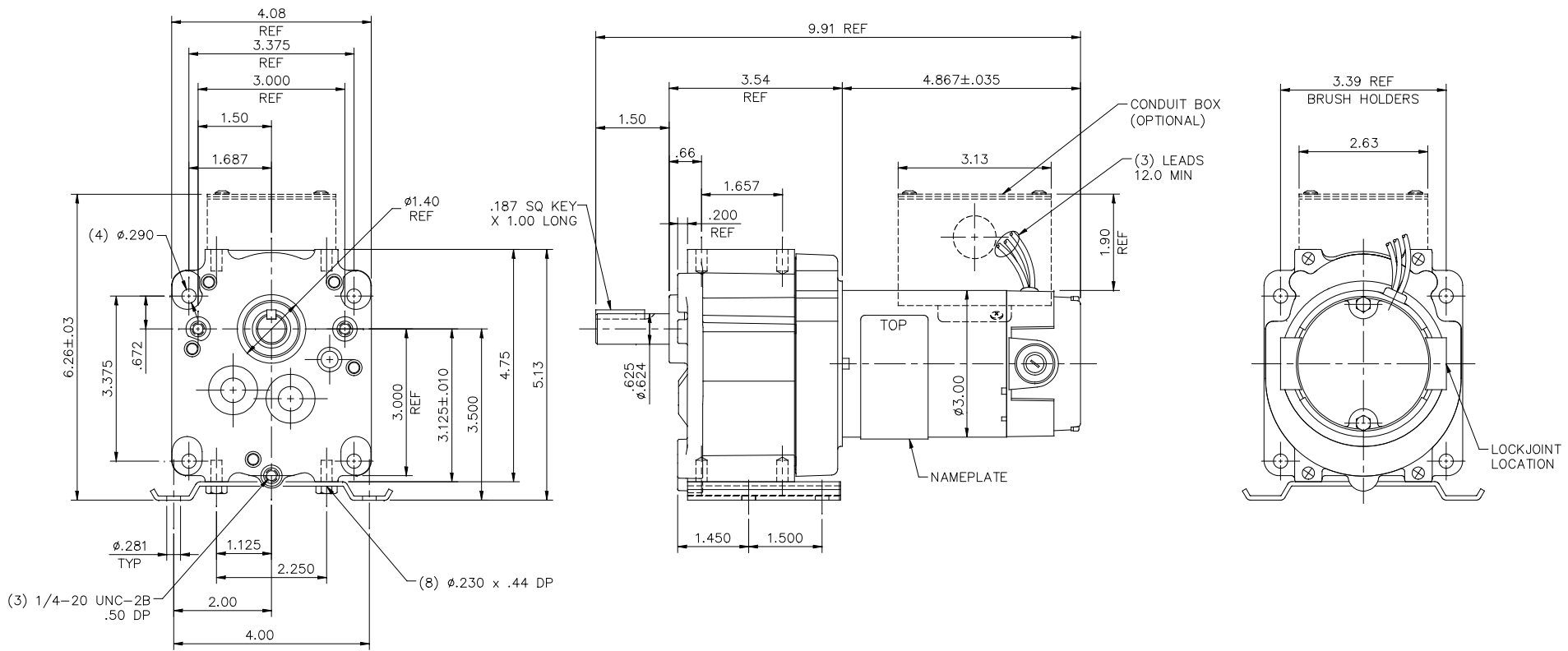
Output HP	0.05 Hp	Output KW	0.04 kW
Voltage	180 V	Current	0.31 A
Speed	60 rpm	Service Factor	1
Efficiency	48.2 %	Duty	Continuous
Insulation Class	F	Frame	30
Enclosure	Totally Enclosed Non Ventilated	Overload Protector	No
Ambient Temperature	40 °C	Drive End Bearing Size	6000
Opp Drive End Bearing Size	6000	UL	Recognized
CSA	Y	CE	N

Technical Specifications


Rotation	Reversible	Mounting	Special
Shaft Type	Parallel	Overall Length	9.91 in
Frame Length	3.36 in	Shaft Diameter	0.625 in
Shaft Extension	1.5 in		
Outline Drawing	M1030964-M1125093	Connection Diagram	M100530201

This is an uncontrolled document once printed or downloaded and is subject to change without notice. Date Created: 10/15/2018

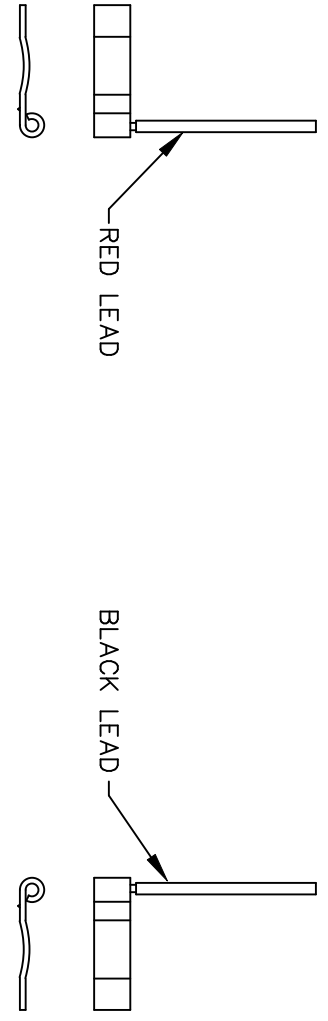
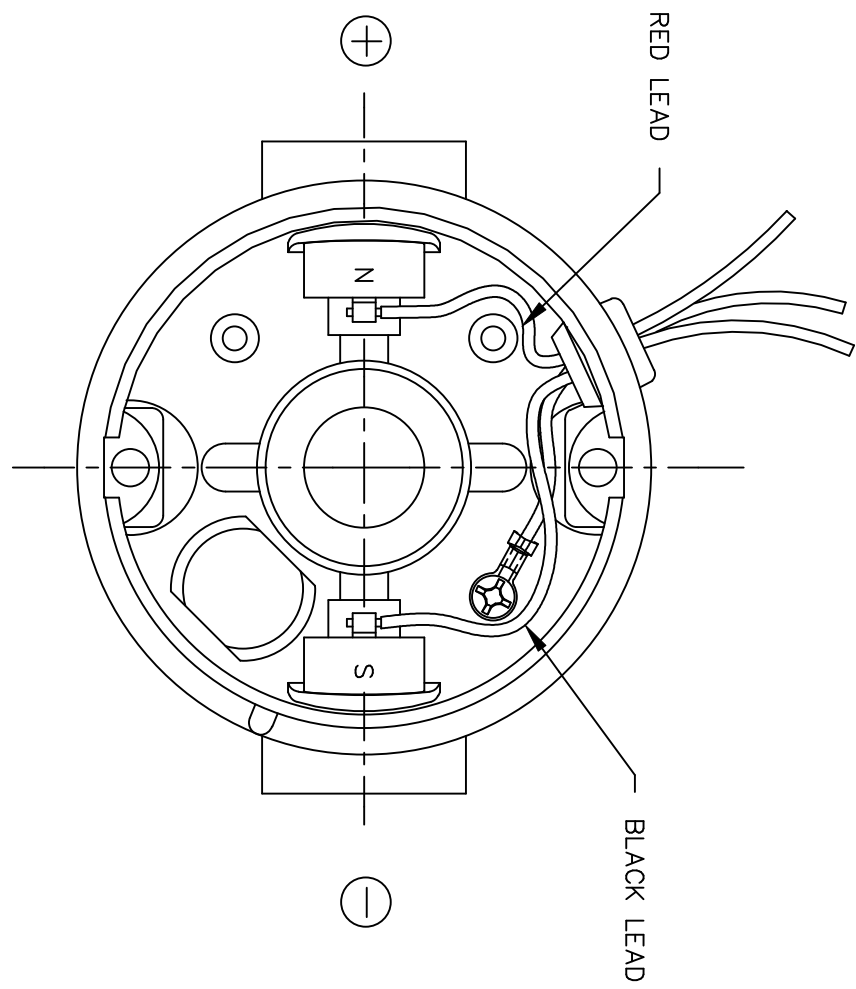
M1030964




CATALOG No.	VOLTS	HP	RATIO	TORQUE IN-LB	RPM
M1115024.00	90	1/20	336:1	353	5
M1115025.00	90	1/20	216:1	268	9
M1115026.00	90	1/20	103:1	150	18
M1115027.00	90	1/20	52:1	82	34
M1115028.00	90	1/20	35:1	55	51
M1115029.00	90	1/20	16:1	27	109
M1125092.00	180	1/20	91:1	140	20
M1125093.00	180	1/20	29:1	45	60
M1125094.00	180	1/20	17:1	26	106

TOLERANCES UNLESS SPECIFIED		DEC.		INCHES		 ELECTRIC MOTORS GEARMOTORS AND DRIVES	DRAWN	RWS	3/28/05
NO.	REVISION	BY	DATE	CHK	ANG		FINISH	CHK	RPB
E	UPDATED 1.40 HUB DIM TO MATCH GBOX, ECO-0128172	IPG	7/26/17		.X	±.1			
02	ADDED CAT. #'S M1125092.00, M1125093.00 AND M1125094.00 TO TABLE, ECN 06-3810	IPG	9/29/06	SAD	.XX	±.03			
01	CHGD 11.45 REF TO 9.41 REF, ECR 84115	VS	5/27/05	BC	.XXX	±.005			
					.XXX	±.005			
					.XXXX	±.0005			
						±1/2"			
THIS DRAWING IN DESIGN AND DETAIL IS OUR PROPERTY AND MUST NOT BE USED EXCEPT IN CONNECTION WITH OUR WORK ALL RIGHTS OF DESIGN AND INVENTION ARE RESERVED THIS IS AN ELECTRONICALLY GENERATED DOCUMENT - DO NOT SCALE THIS PRINT							RFP	CAD FILE	M1030964
							CHK	SIZE	B
							DIST	DRAWING NO.	M1030964
								REV.	E

D.C. MOTORS



EXTERNAL CONNECTIONS FOR CW ROTATION
 VIEWING LEAD END OF MOTOR WITH RED LEAD
 POSITIVE (+) AND BLACK LEAD NEGATIVE (-)
 FOR CCW ROTATION REVERSE POLARITY

				TOLERANCES UNLESS SPECIFIED		 ELECTRIC MOTORS GEARMOTORS AND DRIVES	DRAWN RWS 3/15/05 CHK RPB 3/15/05 APPD
				DEC.	INCHES		SCALE 1=1
				.X	±.1		REF 901.706
				.XX	±.01		FMF
				.XXX	±.005		PREV
00	RELEASED COMM CONVERSION PROJECT	RWS 4/13/05	RPB	.XXXX	±.0005	MAT'L.	
NO.	REVISION	BY & DATE	CHK	ANG	±1/2"	FINISH	
THIS DRAWING IN DESIGN AND DETAIL IS OUR PROPERTY AND MUST NOT BE USED EXCEPT IN CONNECTION WITH OUR WORK ALL RIGHTS OF DESIGN AND INVENTION ARE RESERVED THIS IS AN ELECTRONICALLY GENERATED DOCUMENT - DO NOT SCALE THIS PRINT				RFP	CAD FILE	M100530201	SIZE A
				DIST	DRAWING NO. M1005302.01		REV. 00