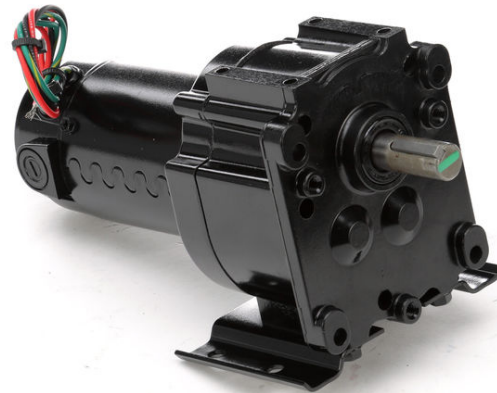


# PRODUCT INFORMATION PACKET



Model No: 985.755A  
Catalog No: M1125092.00  
...91:1.20RPM.140LBIN.1/20HP.30...DC GEARMOTORS SUB-FHP.180V..TENV  
P300 Series



Regal and Leeson are trademarks of Regal Beloit Corporation or one of its affiliated companies.  
©2018 Regal Beloit Corporation, All Rights Reserved. MC017097E





### Nameplate Specifications

Output HP	<b>0.05 Hp</b>	Output KW	<b>0.04 kW</b>
Voltage	<b>180 V</b>	Current	<b>0.31 A</b>
Speed	<b>20 rpm</b>	Service Factor	<b>1</b>
Efficiency	<b>46.1 %</b>	Duty	<b>Continuous</b>
Insulation Class	<b>F</b>	Frame	<b>30</b>
Enclosure	<b>Totally Enclosed Non Ventilated</b>	Overload Protector	<b>No</b>
Ambient Temperature	<b>40 °C</b>	Drive End Bearing Size	<b>6000</b>
Opp Drive End Bearing Size	<b>6000</b>	UL	<b>Recognized</b>
CSA	<b>Y</b>	CE	<b>N</b>

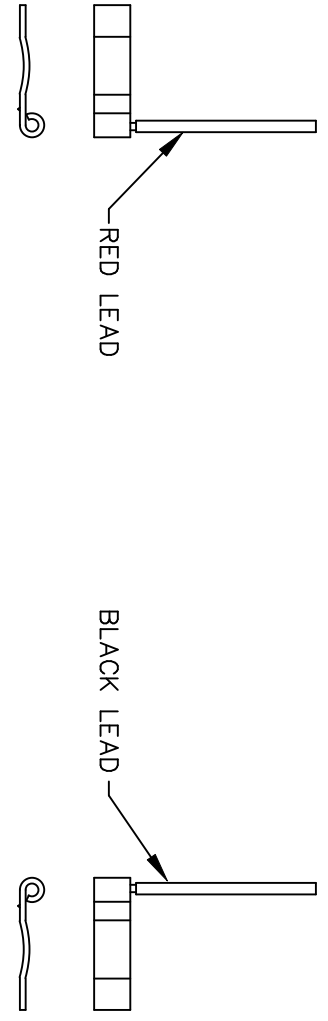
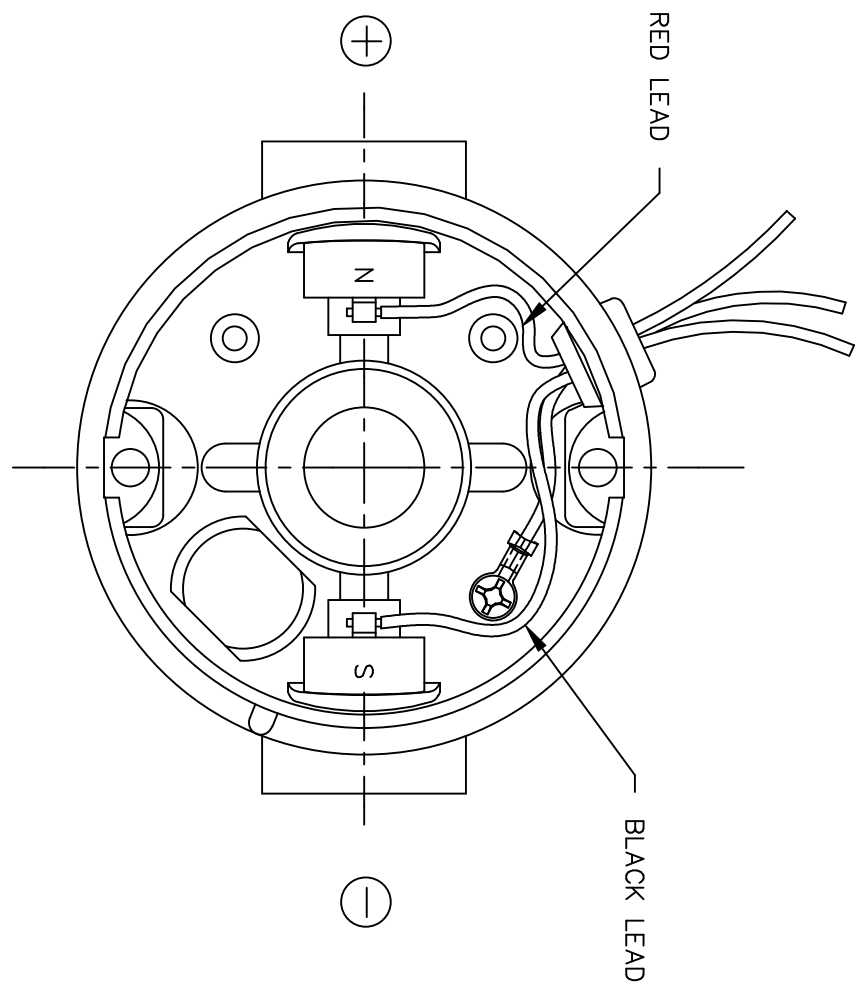
### Technical Specifications

Rotation	<b>Reversible</b>	Mounting	<b>Special</b>
Shaft Type	<b>Parallel</b>	Overall Length	<b>9.91 in</b>
Frame Length	<b>3.36 in</b>	Shaft Diameter	<b>0.625 in</b>
Shaft Extension	<b>1.5 in</b>		
Outline Drawing	<b>M1030964-M1125092</b>	Connection Diagram	<b>M100530201</b>


This is an uncontrolled document once printed or downloaded and is subject to change without notice. Date Created: 10/15/2018



D.C. MOTORS



EXTERNAL CONNECTIONS FOR CW ROTATION  
 VIEWING LEAD END OF MOTOR WITH RED LEAD  
 POSITIVE (+) AND BLACK LEAD NEGATIVE (-)  
 FOR CCW ROTATION REVERSE POLARITY

				TOLERANCES UNLESS SPECIFIED		 ELECTRIC MOTORS GEARMOTORS AND DRIVES	DRAWN RWS 3/15/05 CHK RPB 3/15/05 APPD
				DEC.	INCHES		SCALE 1=1
				.X	±.1		REF 901.706
				.XX	±.01		FMF
				.XXX	±.005		PREV
00	RELEASED COMM CONVERSION PROJECT	RWS 4/13/05	RPB	.XXXX	±.0005	MAT'L.	
NO.	REVISION	BY & DATE	CHK	ANG	±1/2"	FINISH	
THIS DRAWING IN DESIGN AND DETAIL IS OUR PROPERTY AND MUST NOT BE USED EXCEPT IN CONNECTION WITH OUR WORK ALL RIGHTS OF DESIGN AND INVENTION ARE RESERVED THIS IS AN ELECTRONICALLY GENERATED DOCUMENT - DO NOT SCALE THIS PRINT				RFP	CAD FILE	M100530201	SIZE A
				DIST			DRAWING NO. M1005302.01
							REV. 00