

PRODUCT INFORMATION PACKET



Model No: CM31P17NZ15A

Catalog No: M1125084.00

10...10:1.173RPM.14LBIN..06HP.31...AC GEARMOTORS SUB-FHP.115/230V.1PH.60/50HZ.TENV
Right Angle



Regal and Leeson are trademarks of Regal Beloit Corporation or one of its affiliated companies.

©2018 Regal Beloit Corporation, All Rights Reserved. MC017097E





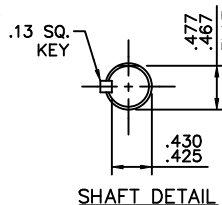
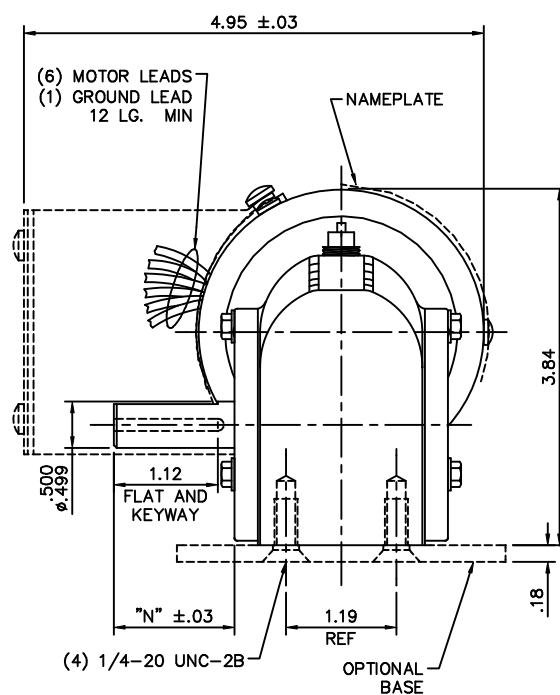
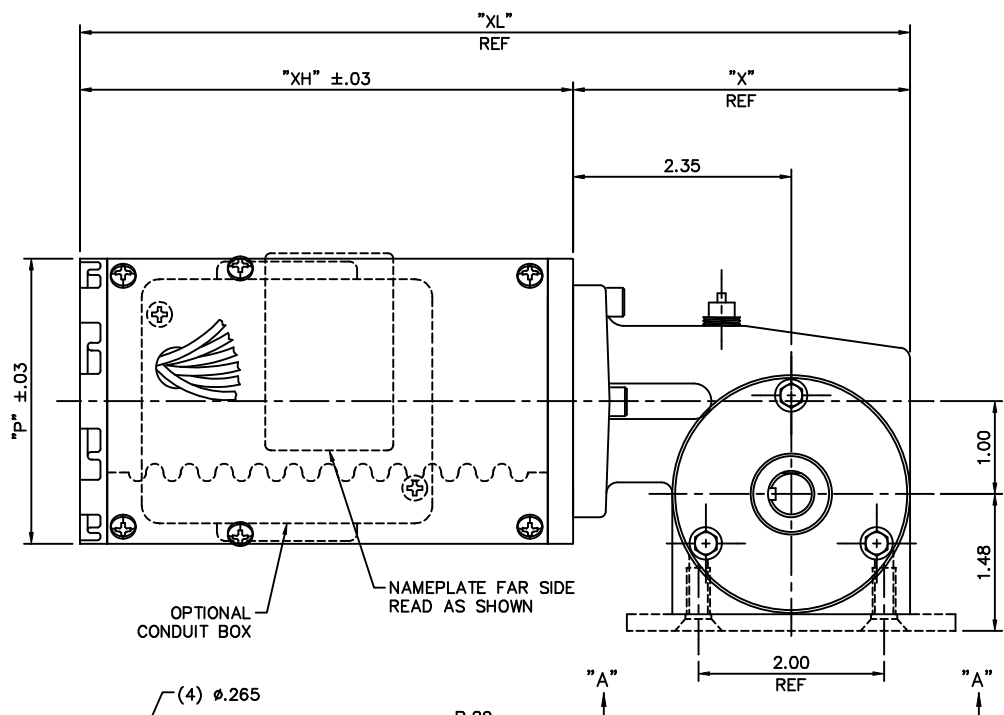
Nameplate Specifications

Output HP	0.06 Hp	Output KW	0.04 kW
Frequency	60 Hz	Voltage	115 V
Current	0.90/0.45 A	Speed	173 rpm
Service Factor	1	Phase	1
Duty	Continuous	Insulation Class	F
KVA Code	C	Frame	31
Enclosure	Totally Enclosed Non Ventilated	Overload Protector	No
Ambient Temperature	40 °C	Drive End Bearing Size	6201
Opp Drive End Bearing Size	608	UL	Recognized
CSA	Y	CE	Y

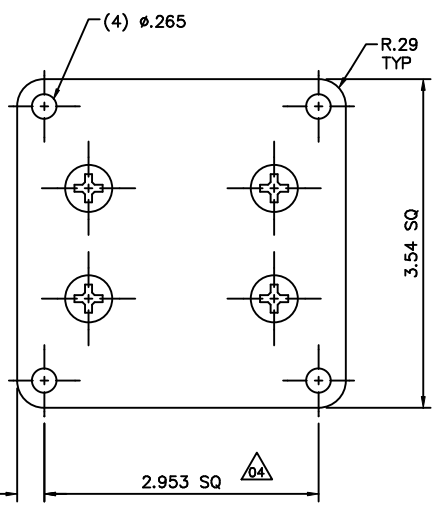
Technical Specifications

Rotation	Reversible	Mounting	Special
Shaft Type	Right Angle	Overall Length	8.94 in
Frame Length	4.75 in	Shaft Diameter	0.500 in
Shaft Extension	1.3 in		
Outline Drawing	M1030420-M1125084.00	Connection Diagram	M1005040.02

This is an uncontrolled document once printed or downloaded and is subject to change without notice. Date Created: 10/15/2018



OPTIONAL CONDUIT BOX
NAMEPLATE FAR SIDE READ AS SHOWN

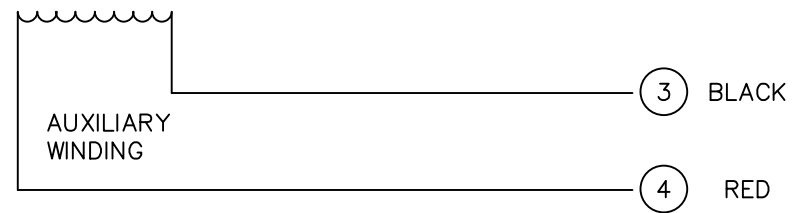
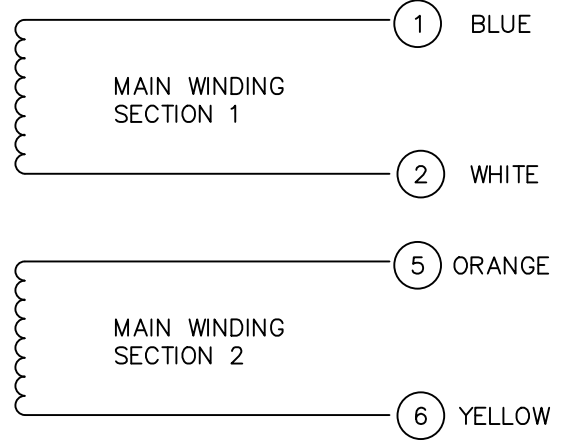
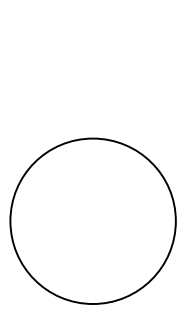


CATALOG NUMBER	SPEED RANGE RPM	FULL LOAD TORQUE LB.-IN.	INPUT HP	OVERHUNG LOAD LBS.	RATIO TO 1	"P"	"X"	"XH"	"XL"	"N"
M1125084.00	173	14	1/15	185	10	3.07	3.63	5.31	8.94	1.30
M1125083.00	85	24	1/15	185	20	3.07	3.63	5.31	8.94	1.30
M1125082.00	58	40	1/15	185	30	3.07	3.63	5.31	8.94	1.30
M1125081.00	43	34	1/15	185	40	3.07	3.63	5.31	8.94	1.30
M1125080.00	28	37	1/15	185	60	3.07	3.63	5.31	8.94	1.30

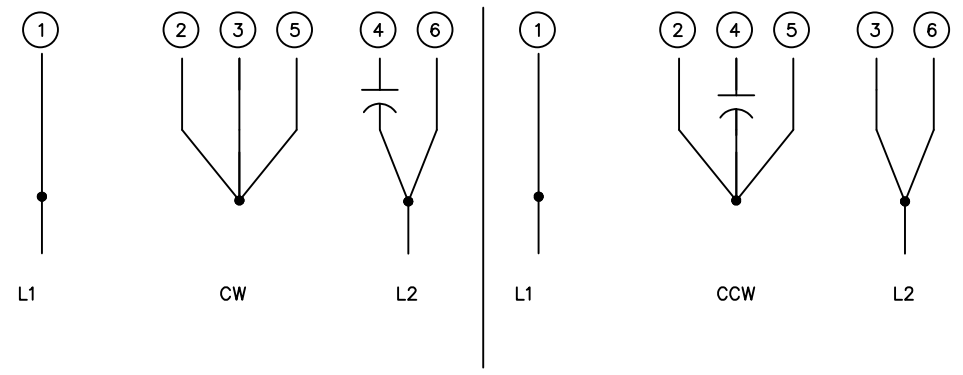
06	ADDED "N" DIM TO CHART	RLW 7/8/05	TOLERANCES UNLESS SPECIFIED		ELECTRIC MOTORS GEARMOTORS AND DRIVES	DRAWN	TMZ 02/04/95		
05	"D" DIM. WAS 1.30 & UPDATE CHART PER ECO 05-1249	LST 6/24/05	DEC.			INCHES	CHK		
04	BASE DIM, 2.953 SQ WAS 3.54, REV'D TO MATCH PART	BJB 05/10/05	.X	±.1	APPD				
03	DIM 1.12 WAS .93	SAD 05/06/98	.XX	±.03	TITLE	3=4			
02	GEAR SYSTEMS GEARBOX WAS HUB CITY GEARBOX	SAD 03/31/98	.XXX	±.005	OUTLINE DRAWING RIGHT ANGLE GEARMOTOR				
01	UPDATED ITEM BLOCK	SPV 04/26/95	.XXXX	±.0005	MAT'L	REF	M1125084.00		
NO.	REVISION	BY & DATE	CHK	ANG	±1/2"	FINISH	FMF PR940044		
THIS DRAWING IN DESIGN AND DETAIL IS OUR PROPERTY AND MUST NOT BE USED EXCEPT IN CONNECTION WITH OUR WORK ALL RIGHTS OF DESIGN AND INVENTION ARE RESERVED THIS IS AN ELECTRONICALLY GENERATED DOCUMENT - DO NOT SCALE THIS PRINT				RFP	CAD FILE	M1030420	SIZE	DRAWING NO.	REV.
				DIST	B	M1030420.00		06	

M1005040.02

COLORED LEADS

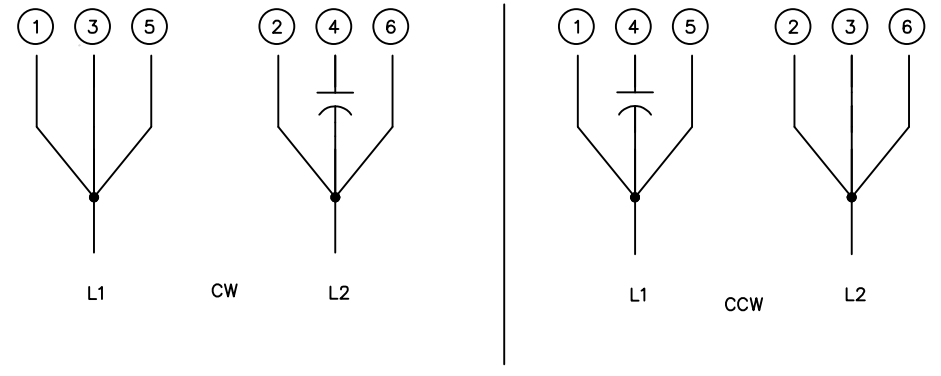


HIGH VOLTAGE CONNECTIONS



ROTATION VIEWING LEAD END OF MOTOR

LOW VOLTAGE CONNECTIONS



ROTATION VIEWING LEAD END OF MOTOR

				TOLERANCES UNLESS OTHERWISE SPECIFIED		LEESON ELECTRIC CORPORATION			
				DECIMALS				DRAWN DK	
				.00	± .01	CH'K'D.	10/3/91	EXTERNAL WIRING DIAGRAM	
02	REDRAWN ON CAD	AJR	6/28/99	.000	± .005	APPR.	10/3/91	DUAL VOLTAGE DUAL ROTATION	
01	REMOVED CAP FROM LEFT DIAGRAM	DD	9/16/95	.0000	± .0005			MAT'L.	
NO.	REVISION	BY	DATE	FRACTIONS	± 1/64	SCALE	NONE		
THIS DRAWING IN DESIGN AND DETAIL IS OUR PROPERTY AND MUST NOT BE USED EXCEPT IN CONNECTION WITH OUR WORK ALL RIGHTS OF DESIGN AND INVENTION ARE RESERVED				ANGLES	± 1/2°	REF.		FINISH	
				INCH/MM		FMF	PR91376	LECO CORP.	SIZE A