

# PRODUCT INFORMATION PACKET



Model No: CM31P17NZ17A  
Catalog No: M1125082.00  
10...30:1.58RPM.40LBIN..06HP.31...AC GEARMOTORS SUB-  
FHP.115/230V.1PH.60/50HZ.TENV.CM31P17NZ17A  
Right Angle



Regal and Leeson are trademarks of Regal Beloit Corporation or one of its affiliated companies.  
©2018 Regal Beloit Corporation, All Rights Reserved. MC017097E





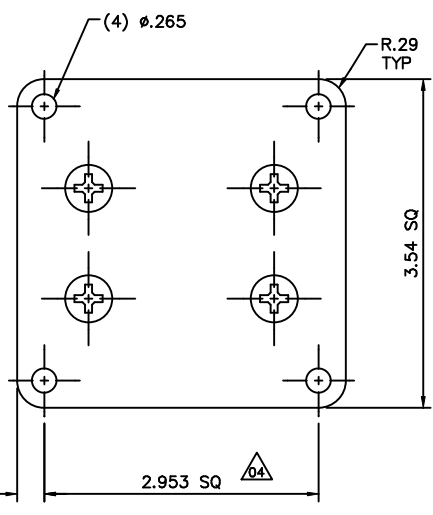
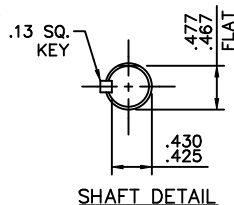
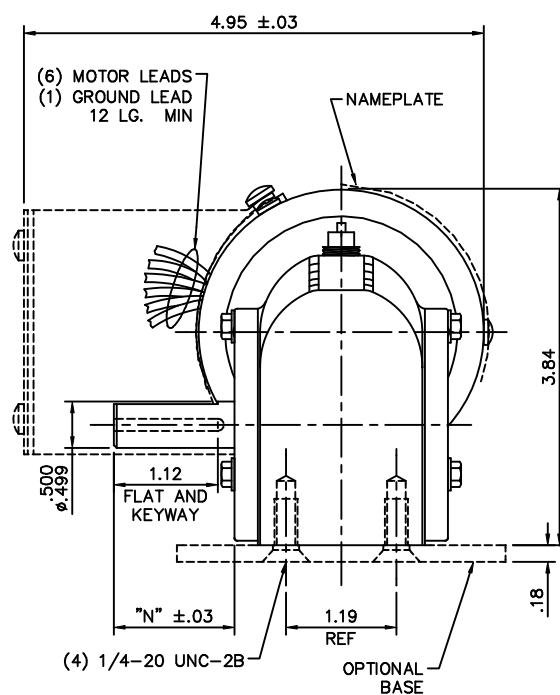
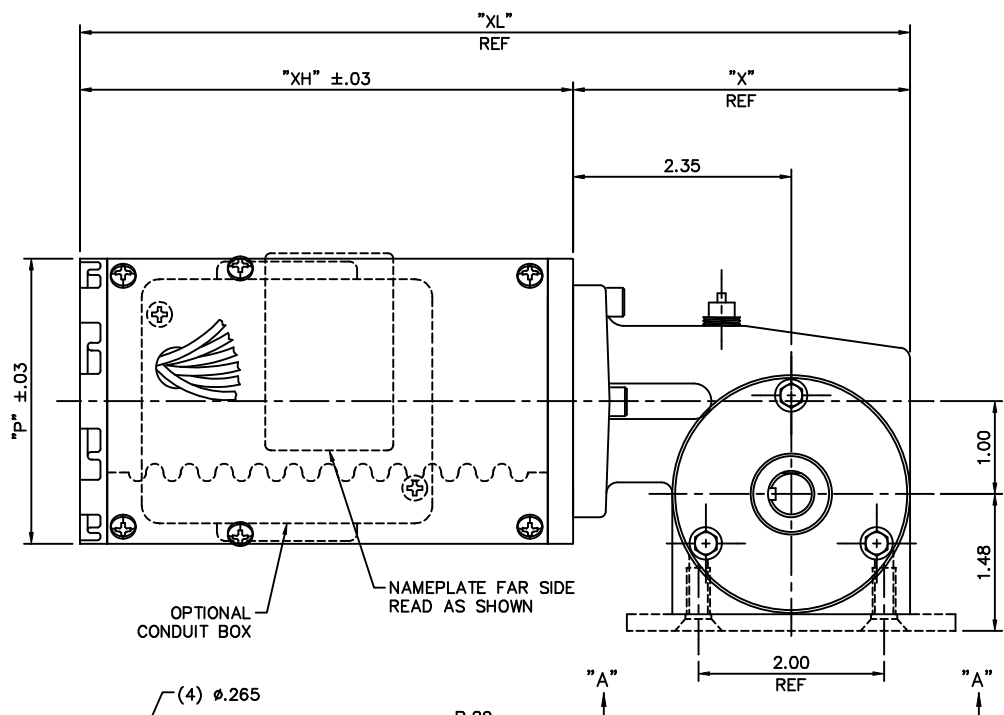
### Nameplate Specifications

|                            |  |                        |                   |
|----------------------------|--|------------------------|-------------------|
| Output HP                  | <b>0.06 Hp</b>                         | Output KW              | <b>0.04 kW</b>    |
| Frequency                  | <b>60 Hz</b>                           | Voltage                | <b>115 V</b>      |
| Current                    | <b>0.90/0.45 A</b>                     | Speed                  | <b>58 rpm</b>     |
| Service Factor             | <b>1</b>                               | Phase                  | <b>1</b>          |
| Duty                       | <b>Continuous</b>                      | Insulation Class       | <b>F</b>          |
| KVA Code                   | <b>C</b>                               | Frame                  | <b>31</b>         |
| Enclosure                  | <b>Totally Enclosed Non Ventilated</b> | Overload Protector     | <b>No</b>         |
| Ambient Temperature        | <b>40 °C</b>                           | Drive End Bearing Size | <b>6201</b>       |
| Opp Drive End Bearing Size | <b>608</b>                             | UL                     | <b>Recognized</b> |
| CSA                        | <b>Y</b>                               | CE                     | <b>Y</b>          |

### Technical Specifications

|                 |                          |                    |                    |
|-----------------|--------------------------|--------------------|--------------------|
| Rotation        | <b>Reversible</b>        | Mounting           | <b>Special</b>     |
| Shaft Type      | <b>Right Angle</b>       | Overall Length     | <b>8.94 in</b>     |
| Frame Length    | <b>4.75 in</b>           | Shaft Diameter     | <b>0.500 in</b>    |
| Shaft Extension | <b>1.3 in</b>            |                    |                    |
| Outline Drawing | <b>M1030420-M1125082</b> | Connection Diagram | <b>M1005040.02</b> |

**This is an uncontrolled document once printed or downloaded and is subject to change without notice. Date Created: 10/15/2018**

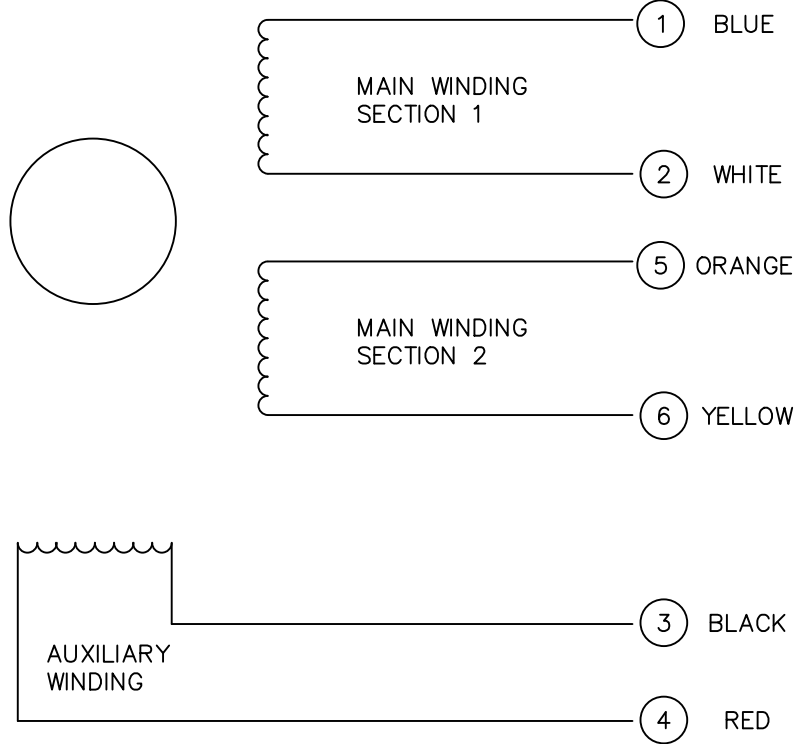


| CATALOG NUMBER | SPEED RANGE RPM | FULL LOAD TORQUE LB.-IN. | INPUT HP | OVERHUNG LOAD LBS. | RATIO TO 1 | "P"  | "X"  | "XH" | "XL" | "N"  |
|----------------|-----------------|--------------------------|----------|--------------------|------------|------|------|------|------|------|
| M1125084.00    | 173             | 14                       | 1/15     | 185                | 10         | 3.07 | 3.63 | 5.31 | 8.94 | 1.30 |
| M1125083.00    | 85              | 24                       | 1/15     | 185                | 20         | 3.07 | 3.63 | 5.31 | 8.94 | 1.30 |
| M1125082.00    | 58              | 40                       | 1/15     | 185                | 30         | 3.07 | 3.63 | 5.31 | 8.94 | 1.30 |
| M1125081.00    | 43              | 34                       | 1/15     | 185                | 40         | 3.07 | 3.63 | 5.31 | 8.94 | 1.30 |
| M1125080.00    | 28              | 37                       | 1/15     | 185                | 60         | 3.07 | 3.63 | 5.31 | 8.94 | 1.30 |

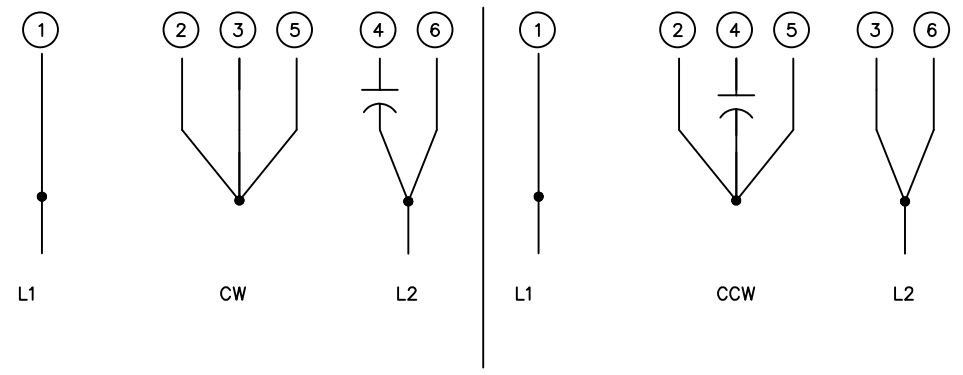
|  |  |           |          |                             |        |          |          |             |             |      |
|--|--|-----------|----------|-----------------------------|--------|----------|----------|-------------|-------------|------|
| 06   | ADDED "N" DIM TO CHART                           | RLW       | 7/8/05   | TOLERANCES UNLESS SPECIFIED |        | DRAWN    | TMZ      | 02/04/95    |             |      |
| 05   | "D" DIM. WAS 1.30 & UPDATE CHART PER ECO 05-1249 | LST       | 6/24/05  | DEC.                        |        | INCHES   | CHK      |             |             |      |
| 04   | BASE DIM, 2.953 SQ WAS 3.54, REV'D TO MATCH PART | BJB       | 05/10/05 | .X                          | ±.1    | APPD     |          |             |             |      |
| 03   | DIM 1.12 WAS .93                                 | SAD       | 05/06/98 | .XX                         | ±.03   | SCALE    |          | 3=4         |             |      |
| 02   | GEAR SYSTEMS GEARBOX WAS HUB CITY GEARBOX        | SAD       | 03/31/98 | .XXX                        | ±.005  | REF      |          | M1125084.00 |             |      |
| 01   | UPDATED ITEM BLOCK                               | SPV       | 04/26/95 | .XXXX                       | ±.0005 | FMF      |          | PR940044    |             |      |
| NO.  | REVISION   | BY & DATE | CHK      | ANG                         | ±1/2"  | FINISH   |          | PREV        |             |      |
| THIS DRAWING IN DESIGN AND DETAIL IS OUR PROPERTY AND MUST NOT BE USED EXCEPT IN CONNECTION WITH OUR WORK ALL RIGHTS OF DESIGN AND INVENTION ARE RESERVED THIS IS AN ELECTRONICALLY GENERATED DOCUMENT - DO NOT SCALE THIS PRINT |  |           |          |                             | RFP    | CAD FILE | M1030420 | SIZE        | DRAWING NO. | REV. |
|  |  |           |          |                             | DIST   |          |          | B           | M1030420.00 | 06   |

M1005040.02

COLORED LEADS

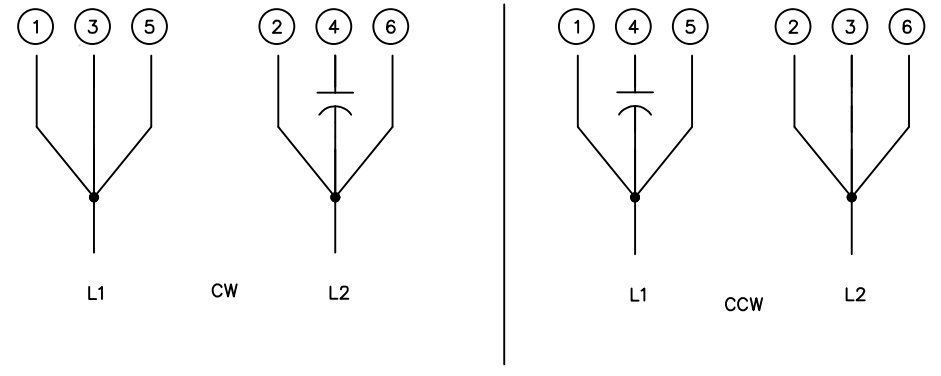


HIGH VOLTAGE CONNECTIONS



ROTATION VIEWING LEAD END OF MOTOR

LOW VOLTAGE CONNECTIONS



ROTATION VIEWING LEAD END OF MOTOR

|   |                               |     |         |                                       |         |                                    |         |  |           |                            |
|---|-------------------------------|-----|---------|---------------------------------------|---------|------------------------------------|---------|--|-----------|----------------------------|
|   |                               |     |         | TOLERANCES UNLESS OTHERWISE SPECIFIED |         | <b>LEESON</b> ELECTRIC CORPORATION |         |  |           |                            |
|   |                               |     |         | DECIMALS                              |         |                                    |         |  |           |                            |
|   |                               |     |         | .00                                   | ± .01   | DRAWN                              | DK      | TITLE<br>EXTERNAL WIRING DIAGRAM<br>DUAL VOLTAGE DUAL ROTATION |           |                            |
| 02  | REDRAWN ON CAD                | AJR | 6/28/99 | .000                                  | ± .005  | CH'K'D.                            | 10/3/91 |  |           |                            |
| 01  | REMOVED CAP FROM LEFT DIAGRAM | DD  | 9/16/95 | .0000                                 | ± .0005 | APPR.                              | 10/3/91 | MAT'L.   |           |                            |
| NO.   | REVISION                      | BY  | DATE    | FRACTIONS                             | ± 1/64  | SCALE                              | NONE    |  |           |                            |
| THIS DRAWING IN DESIGN AND DETAIL IS OUR PROPERTY AND MUST NOT BE USED EXCEPT IN CONNECTION WITH OUR WORK ALL RIGHTS OF DESIGN AND INVENTION ARE RESERVED |                               |     |         | ANGLES                                | ± 1/2°  | REF.                               |         | FINISH   | SIZE<br>A | DRAWING NO.<br>M1005040.02 |
|   |                               |     |         | INCH/MM                               |         | FMF                                | PR91376 | LECO CORP.   |           |                            |