

# PRODUCT INFORMATION PACKET



Model No: 985.610F  
Catalog No: M1125072.00  
...29:1.61RPM.113LBIN.1/8HP.30...DC GEARMOTORS SUB-FHP.90V.DC.TENV  
P300 Series



Regal and Leeson are trademarks of Regal Beloit Corporation or one of its affiliated companies.  
©2018 Regal Beloit Corporation, All Rights Reserved. MC017097E





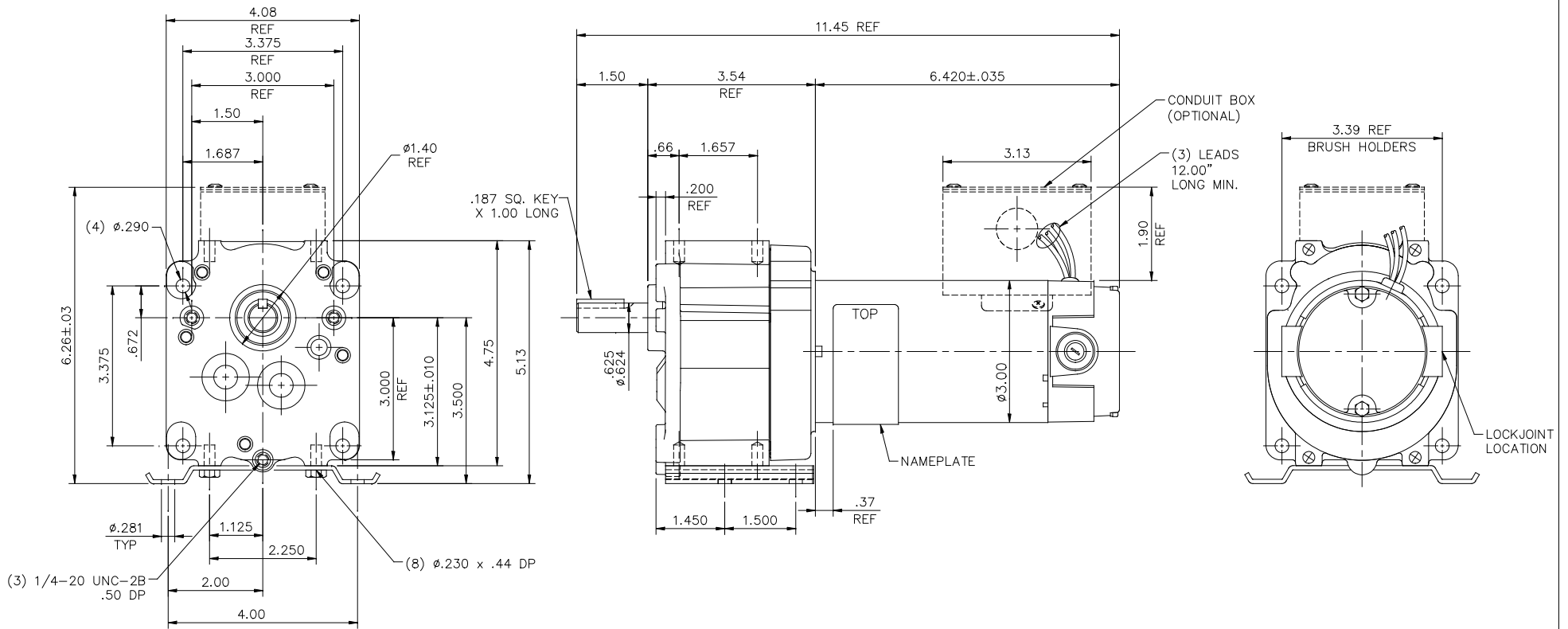
### Nameplate Specifications

Output HP	<b>0.13 Hp</b>	Output KW	<b>0.10 kW</b>
Voltage	<b>90 V</b>	Current	<b>1.3 A</b>
Speed	<b>61 rpm</b>	Service Factor	<b>1</b>
Efficiency	<b>70.8 %</b>	Duty	<b>Continuous</b>
Insulation Class	<b>F</b>	Frame	<b>30</b>
Enclosure	<b>Totally Enclosed Non Ventilated</b>	Overload Protector	<b>No</b>
Ambient Temperature	<b>40 °C</b>	Drive End Bearing Size	<b>6000</b>
Opp Drive End Bearing Size	<b>6000</b>	UL	<b>Recognized</b>
CSA	<b>Y</b>	CE	<b>Y</b>

### Technical Specifications


Rotation	<b>Reversible</b>	Mounting	<b>Special</b>
Shaft Type	<b>Parallel</b>	Overall Length	<b>11.45 in</b>
Frame Length	<b>4.91 in</b>	Shaft Diameter	<b>0.625 in</b>
Shaft Extension	<b>1.5 in</b>		
Outline Drawing	<b>M1030961-M1125072</b>	Connection Diagram	<b>M100530201</b>

**This is an uncontrolled document once printed or downloaded and is subject to change without notice. Date Created: 10/15/2018**

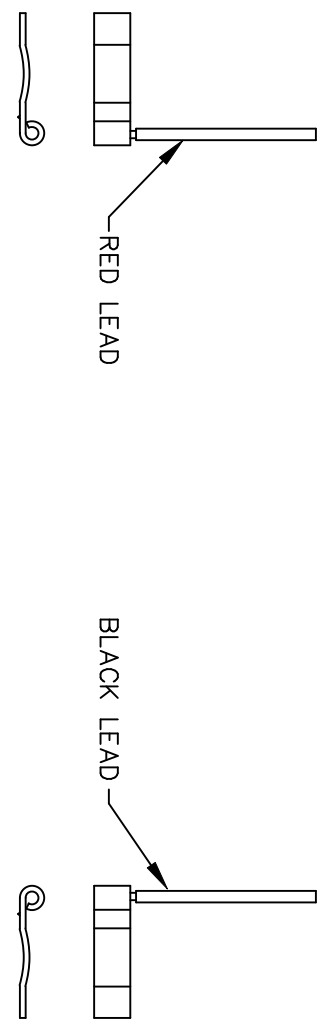
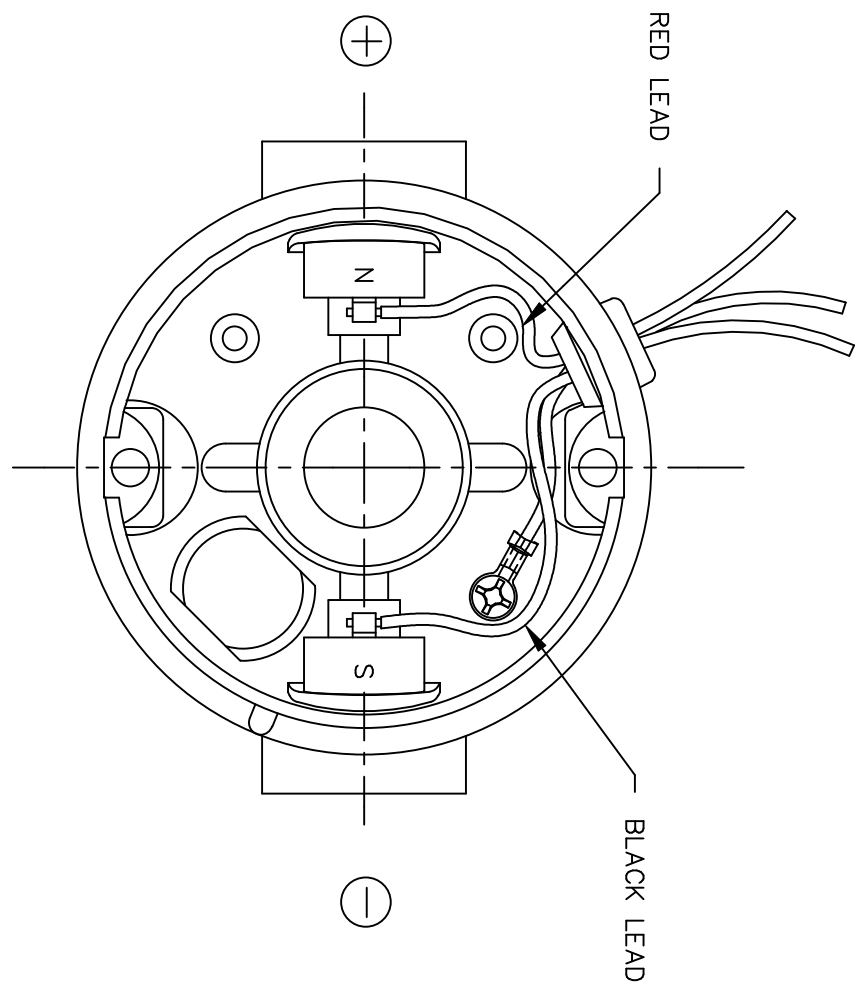


CATALOG No.	VOLTS	HP	RATIO	TORQUE IN-LB	RPM
M1125072.00	90	1/8	29:1	113	61
M1125069.00	90	1/8	76:1	280	24
M1125070.00	90	1/8	58:1	220	31
M1125073.00	90	1/8	19:1	77	94
M1125039.00	180	1/8	35:1	130	51
M1125071.00	90	1/8	35:1	130	51
M1125074.00	90	1/8	11:1	43	167
M1125038.00	180	1/8	58:1	220	31
M1125040.00	180	1/8	19:1	77	94
M1125041.00	180	1/8	10:1	43	170


ITEM No.	ITEM REV
-00	0

				TOLERANCES UNLESS SPECIFIED		 ELECTRIC MOTORS GEARMOTORS AND DRIVES	DRAWN RWS 3/18/05 CHK RPB 3/18/05 APPD SCALE 1=2 REF M1030940.00 FMF M1125074.00 PREV
DEC.	INCHES	ANG	FINISH	NO.	REV		
	.XX ±.03			D	1	TITLE 30 FRAME DC- P300 GEARBOX	
	.XXX ±.005			00	00		
	RXX ±.0005						
	ANG ±1/2"						
THIS DRAWING IN DESIGN AND DETAIL IS OUR PROPERTY AND MUST NOT BE USED EXCEPT IN CONNECTION WITH OUR WORK ALL RIGHTS OF DESIGN AND INVENTION ARE RESERVED THIS IS AN ELECTRONICALLY GENERATED DOCUMENT - DO NOT SCALE THIS PRINT				RFP	CHK	CAD FILE M1030961	SIZE B
				DIST			DRAWING NO. M1030961
							REV. D

D.C. MOTORS



EXTERNAL CONNECTIONS FOR CW ROTATION  
 VIEWING LEAD END OF MOTOR WITH RED LEAD  
 POSITIVE (+) AND BLACK LEAD NEGATIVE (-)  
 FOR CCW ROTATION REVERSE POLARITY

				TOLERANCES UNLESS SPECIFIED		 ELECTRIC MOTORS GEARMOTORS AND DRIVES	DRAWN RWS 3/15/05 CHK RPB 3/15/05 APPD SCALE 1=1 REF 901.706 FMF PREV
				DEC.	INCHES		TITLE CONNECTION DIAGRAM MAT'L. FINISH
				.X	±.1		
				.XX	±.01		
				.XXX	±.005		
00	RELEASED COMM CONVERSION PROJECT	RWS 4/13/05	RPB	.XXXX	±.0005	CAD FILE M100530201	SIZE A DRAWING NO. M1005302.01 REV. 00
NO.	REVISION	BY & DATE	CHK	ANG	±1/2"	RFP DIST	

THIS DRAWING IN DESIGN AND DETAIL IS OUR PROPERTY AND MUST NOT BE USED EXCEPT IN CONNECTION WITH OUR WORK ALL RIGHTS OF DESIGN AND INVENTION ARE RESERVED THIS IS AN ELECTRONICALLY GENERATED DOCUMENT - DO NOT SCALE THIS PRINT