

PRODUCT INFORMATION PACKET



Model No: 985.615F
Catalog No: M1125071.00
...35:1.51RPM.130LBIN.1/8HP.30...DC GEARMOTORS SUB-FHP.90V.DC.TENV
P300 Series



Regal and Leeson are trademarks of Regal Beloit Corporation or one of its affiliated companies.
©2018 Regal Beloit Corporation, All Rights Reserved. MC017097E





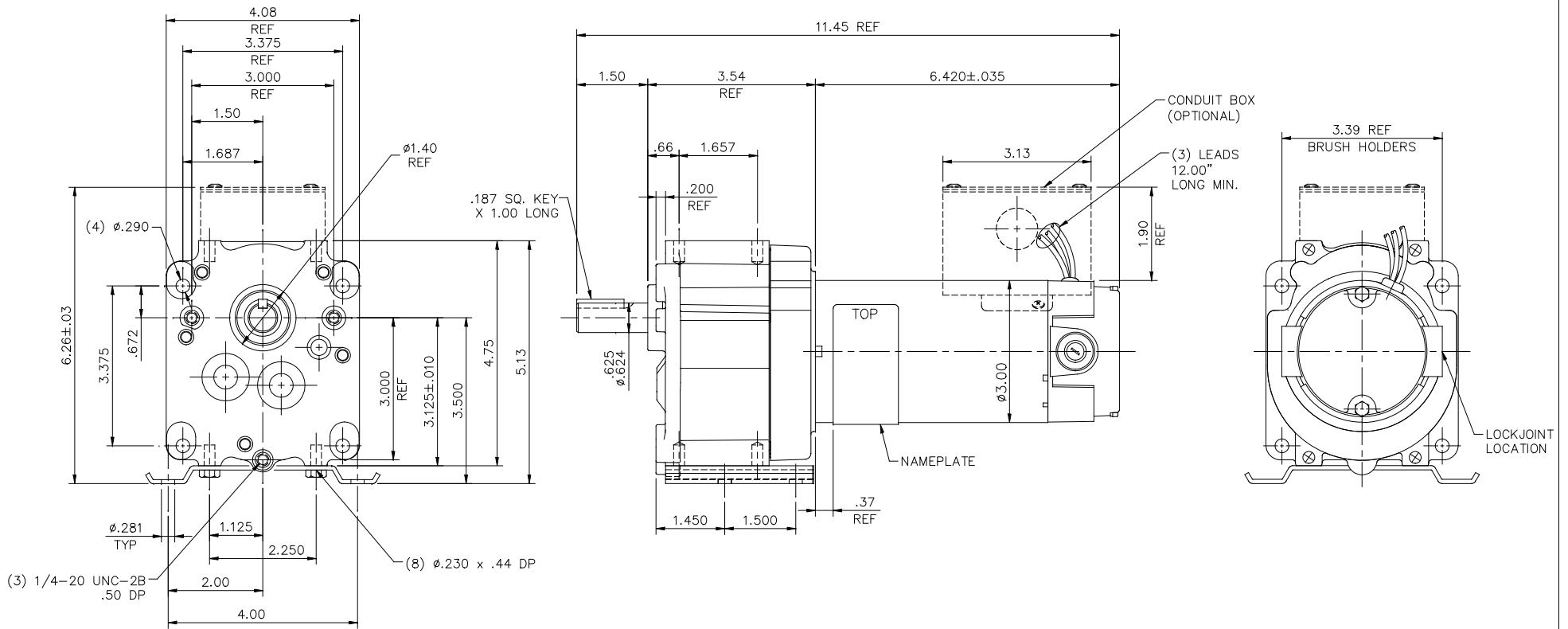
Nameplate Specifications

| | | | |
|----------------------------|---------------------------------|------------------------|------------|
| Output HP | 0.13 Hp | Output KW | 0.10 kW |
| Voltage | 90 V | Current | 1.4 A |
| Speed | 51 rpm | Service Factor | 1 |
| Efficiency | 70.8 % | Duty | Continuous |
| Insulation Class | F | Frame | 30 |
| Enclosure | Totally Enclosed Non Ventilated | Overload Protector | No |
| Ambient Temperature | 40 °C | Drive End Bearing Size | 040.046 |
| Opp Drive End Bearing Size | 040.046 | UL | Recognized |
| CSA | Y | CE | Y |

Technical Specifications


| | | | |
|-----------------|-------------------|--------------------|------------|
| Rotation | Reversible | Mounting | Special |
| Shaft Type | Parallel | Overall Length | 11.45 in |
| Frame Length | 4.91 in | Shaft Diameter | 0.625 in |
| Shaft Extension | 1.5 in | | |
| Outline Drawing | M1030961-M1125071 | Connection Diagram | M100530201 |

This is an uncontrolled document once printed or downloaded and is subject to change without notice. Date Created: 10/15/2018

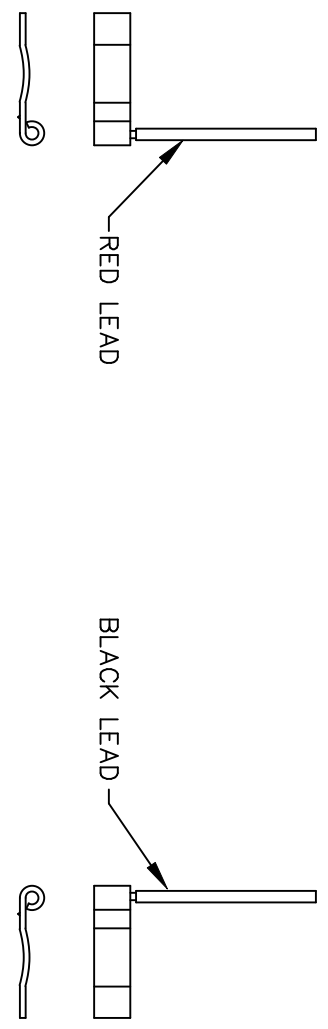
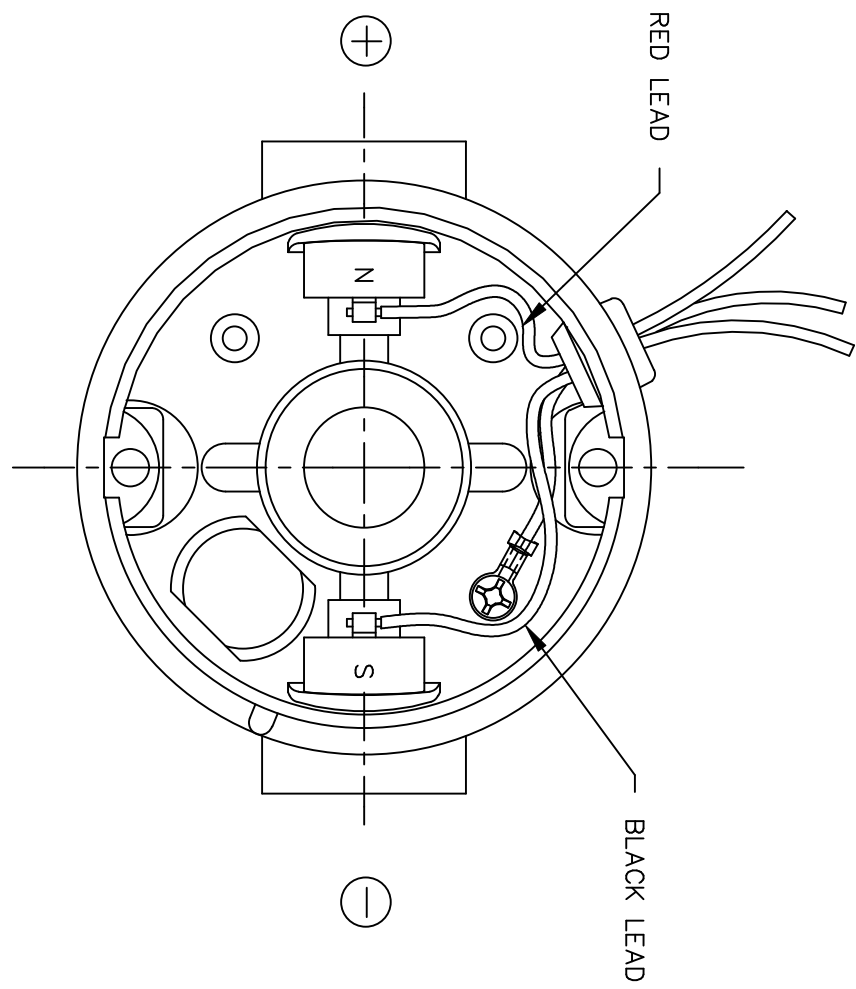


| CATALOG No. | VOLTS | HP | RATIO | TORQUE IN-LB | RPM |
|-------------|-------|-----|-------|--------------|-----|
| M1125072.00 | 90 | 1/8 | 29:1 | 113 | 61 |
| M1125069.00 | 90 | 1/8 | 76:1 | 280 | 24 |
| M1125070.00 | 90 | 1/8 | 58:1 | 220 | 31 |
| M1125073.00 | 90 | 1/8 | 19:1 | 77 | 94 |
| M1125039.00 | 180 | 1/8 | 35:1 | 130 | 51 |
| M1125071.00 | 90 | 1/8 | 35:1 | 130 | 51 |
| M1125074.00 | 90 | 1/8 | 11:1 | 43 | 167 |
| M1125038.00 | 180 | 1/8 | 58:1 | 220 | 31 |
| M1125040.00 | 180 | 1/8 | 19:1 | 77 | 94 |
| M1125041.00 | 180 | 1/8 | 10:1 | 43 | 170 |


| ITEM No. | ITEM REV |
|----------|----------|
| -00 | 0 |

| | | | | TOLERANCES UNLESS SPECIFIED | |  ELECTRIC MOTORS GEARMOTORS AND DRIVES | DRAWN RWS 3/18/05 | |
|--|---|-----------|---------|-----------------------------|-----------|---|------------------------|------|
| | | | | DEC. | INCHES | | CHK RPB 3/18/05 | APPD |
| | | | | .X | ±.1 | | SCALE 1=2 | |
| D | UPDATED 1.40 HUB DIM TO MATCH GBOX, ECO-0128172 | IPG | 7/26/17 | .XX | ±.03 | TITLE | OUTLINE | |
| 00 | RELEASED COMM CONSOLIDATION PROJECT | RWS | 4/20/05 | .XXX | ±.005 | 30 FRAME DC- P300 GEARBOX | | |
| NO. | REVISION | BY & DATE | | RPB | ±.0005 | MAT'L. | REF M1030940.00 | |
| | | | | CHK | ANG ±1/2" | FINISH | FMF M1125074.00 | |
| THIS DRAWING IN DESIGN AND DETAIL IS OUR PROPERTY AND MUST NOT BE USED EXCEPT IN CONNECTION WITH OUR WORK ALL RIGHTS OF DESIGN AND INVENTION ARE RESERVED THIS IS AN ELECTRONICALLY GENERATED DOCUMENT - DO NOT SCALE THIS PRINT | | | | RFP | | CAD FILE | M1030961 | |
| | | | | DIST | | SIZE | DRAWING NO. B M1030961 | |
| | | | | | | REV. | D | |

D.C. MOTORS



EXTERNAL CONNECTIONS FOR CW ROTATION
 VIEWING LEAD END OF MOTOR WITH RED LEAD
 POSITIVE (+) AND BLACK LEAD NEGATIVE (-)
 FOR CCW ROTATION REVERSE POLARITY

| | | | | | | | |
|--|----------------------------------|-------------|-----|-----------------------------|--------|---|--|
| | | | | TOLERANCES UNLESS SPECIFIED | |  ELECTRIC MOTORS GEARMOTORS AND DRIVES | DRAWN RWS 3/15/05 CHK RPB 3/15/05 APPD |
| | | | | DEC. | INCHES | | SCALE 1=1 |
| | | | | .X | ±.1 | | REF 901.706 |
| | | | | .XX | ±.01 | | FMF |
| | | | | .XXX | ±.005 | | PREV |
| 00 | RELEASED COMM CONVERSION PROJECT | RWS 4/13/05 | RPB | .XXXX | ±.0005 | MAT'L. | |
| NO. | REVISION | BY & DATE | CHK | ANG | ±1/2" | FINISH | |
| THIS DRAWING IN DESIGN AND DETAIL IS OUR PROPERTY AND MUST NOT BE USED EXCEPT IN CONNECTION WITH OUR WORK ALL RIGHTS OF DESIGN AND INVENTION ARE RESERVED THIS IS AN ELECTRONICALLY GENERATED DOCUMENT - DO NOT SCALE THIS PRINT | | | | RFP | | CAD FILE M100530201 | SIZE A |
| | | | | DIST | | DRAWING NO. M1005302.01 | REV. 00 |