

# PRODUCT INFORMATION PACKET



Model No: CM31P17NZ1C

Catalog No: M1125050.00

PZ...900:1.1.9RPM.100LBIN..007HP.31...AC GEARMOTORS SUB-  
FHP./115V.1PH.60HZ.TENV.CM31P17NZ1C

PZ Series



Regal and Leeson are trademarks of Regal Beloit Corporation or one of its affiliated companies.

©2018 Regal Beloit Corporation, All Rights Reserved. MC017097E





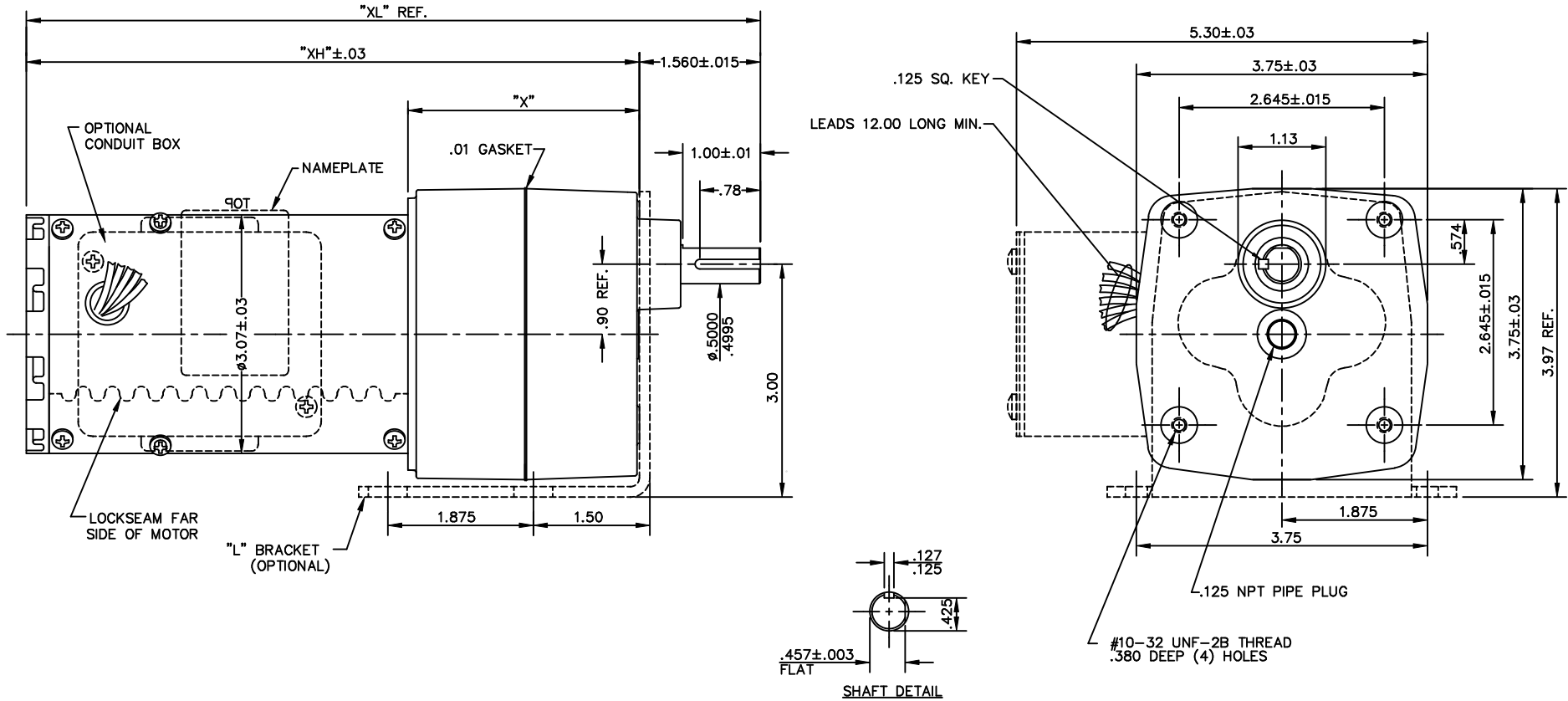
### Nameplate Specifications

Output HP	0.01 Hp	Output KW	0.03 kW
Frequency	60 Hz	Voltage	115 V
Current	0.40 A	Speed	2 rpm
Service Factor	1	Phase	1
Duty	Continuous	Insulation Class	F
KVA Code	L	Frame	31
Enclosure	Totally Enclosed Non Ventilated	Overload Protector	No
Ambient Temperature	40 °C	Drive End Bearing Size	6000
Opp Drive End Bearing Size	R6	UL	Recognized
CSA	Y	CE	N

### Technical Specifications

Rotation	Reversible	Mounting	Special
Shaft Type	Parallel	Overall Length	8.71 in
Frame Length	3.87 in	Shaft Diameter	0.500 in
Shaft Extension	1 in		
Outline Drawing	M1030348-M1125080	Connection Diagram	M1005089.01

This is an uncontrolled document once printed or downloaded and is subject to change without notice. Date Created: 10/15/2018

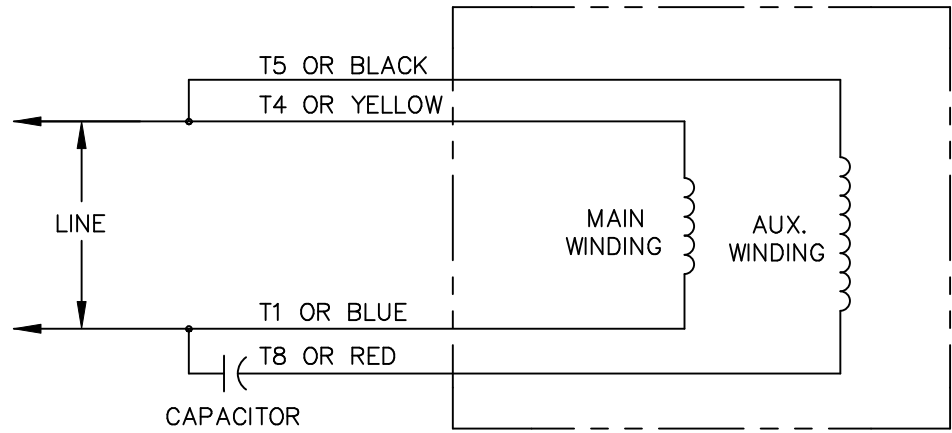


CAT. NO.	HP	RATIO NOMINAL	SAFE TORQUE LB.-IN	RPM OUT-PUT	"XL" DIM.	"X" DIM.	"XH" DIM.
M1125050.00	1/150	900:1	100	1.9	8.71	3.23	7.15
M1125051.00	1/15	180:1	100	9.4	9.46	3.23	7.90
M1125052.00	1/15	90:1	100	19	9.46	3.23	7.90
M1125053.00	1/15	60:1	100	28	8.90	2.48	7.34
M1125054.00	1/15	30:1	56	57	8.90	2.48	7.34
M1125055.00	1/15	18:1	36	94	8.90	2.48	7.34
M1125056.00	1/15	12:1	24	142	8.61	2.14	7.05
M1125057.00	1/15	6:1	12	283	8.61	2.14	7.05

**NOTES:**

- 1- ALL GEARING IS STEEL IN COMPOSITION.
- 2- GEARING IS OF AGMA #8 QUALITY OR BETTER.

06	ROTATED SHAFT FLAT 180°, PER ECR 79989	RLW 7/24/02	TOLERANCES UNLESS SPECIFIED		ELECTRIC MOTORS GEARMOTORS AND DRIVES	DRAWN DWF 08/27/93
05	M1125050, M1125051 & M1125052 "X" DIM WAS 2.98	BPW 12/03/01	DEC. INCHES		CHK	
04	M1125050.00 "XL" DIM WAS 8.46	TMZ 06/22/95	.X ±.1	APPD SPV 09/03/93		
	"XH" DIM WAS 6.90		.XX ±.03	TITLE OUTLINE DRAWING 31 FRAME A.C.	SCALE 3=4	
03	ADDED TORQUE'S AND RPM	SPV 05/16/95	DWF .XXX ±.005	REF PR930265		
02	ADDED NEW CON BOX, OPTIONAL BASE	SPV 04/25/95	.XXXX ±.0005	MAT'L	FMF M1125051.00	
NO.	REVISION	BY & DATE	CHK ANG ±1/2"	FINISH	PREV	
THIS DRAWING IN DESIGN AND DETAIL IS OUR PROPERTY AND MUST NOT BE USED EXCEPT IN CONNECTION WITH OUR WORK ALL RIGHTS OF DESIGN AND INVENTION ARE RESERVED THIS IS AN ELECTRONICALLY GENERATED DOCUMENT - DO NOT SCALE THIS PRINT				RFP	CAD FILE M1030348	SIZE B DRAWING NO. M1030348
				DIST		REV. 06



CONNECTIONS SHOWN FOR CCW ROTATION FACING LEAD END.  
 TO REVERSE ROTATION INTERCHANGE T4(YELLOW) AND T1(BLUE) LEADS

				TOLERANCES UNLESS OTHERWISE SPECIFIED		<b>LEESON</b> ELECTRIC CORPORATION				
				DECIMALS						
				.00	± .01	DRAWN SJB 12/21/89	TITLE			
02	ADDED T1 AND T4 TO REVERSE INSTUCTIONS	DWD	4/7/97	.000	± .005	CH'K'D.	EXTERNAL WIRING DIAGRAM			
01	REDRAWN ON CAD	RJB PTZ	11/16/92	.0000	± .0005	APPR.	MAT'L. "P" TYPE W/O PROTECTOR			
NO.	REVISION	BY	DATE	FRACTIONS	± 1/64	SCALE 1=1	DUAL ROT., ROT. BASED ON ODD # GEAR STAGE			
THIS DRAWING IN DESIGN AND DETAIL IS OUR PROPERTY AND MUST NOT BE USED EXCEPT IN CONNECTION WITH OUR WORK ALL RIGHTS OF DESIGN AND INVENTION ARE RESERVED				ANGLES	± 1/2"	REF.	FINISH	SIZE	DRAWING NO.	
				INCH/MM		FMF		A	M1005089.01	