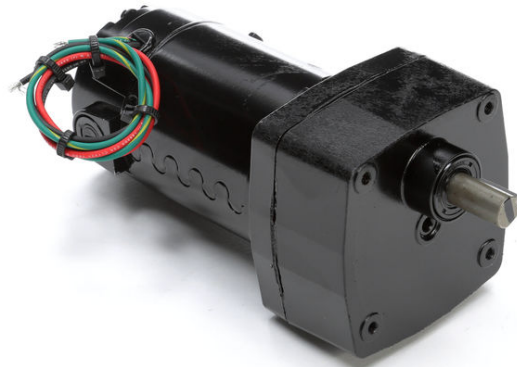


PRODUCT INFORMATION PACKET



Model No: 985.631F
Catalog No: M1125035.00
...18:1.100RPM.36LBIN.1/17HP.30...DC GEARMOTORS SUB-FHP.180V..TENV.985.631F
PZ Series



Regal and Leeson are trademarks of Regal Beloit Corporation or one of its affiliated companies.
©2018 Regal Beloit Corporation, All Rights Reserved. MC017097E





Nameplate Specifications

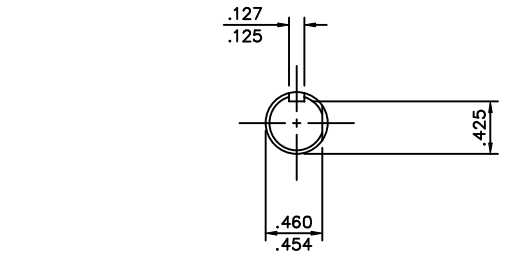
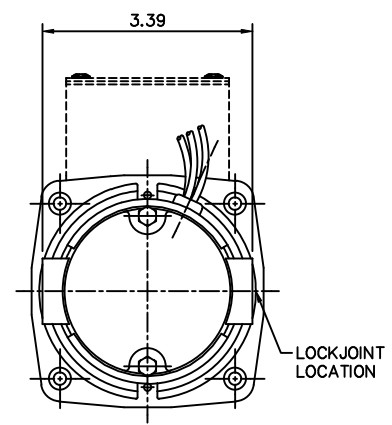
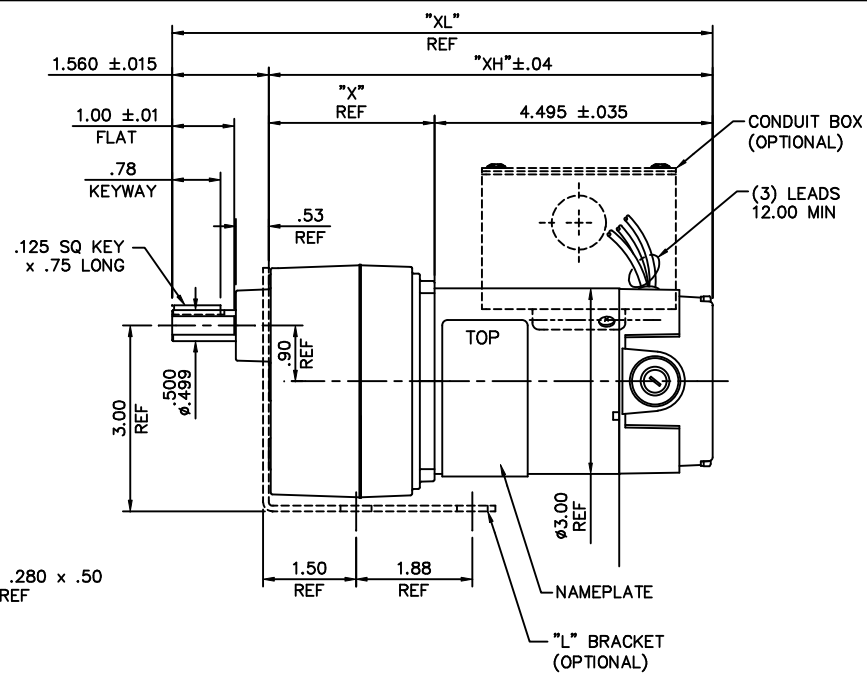
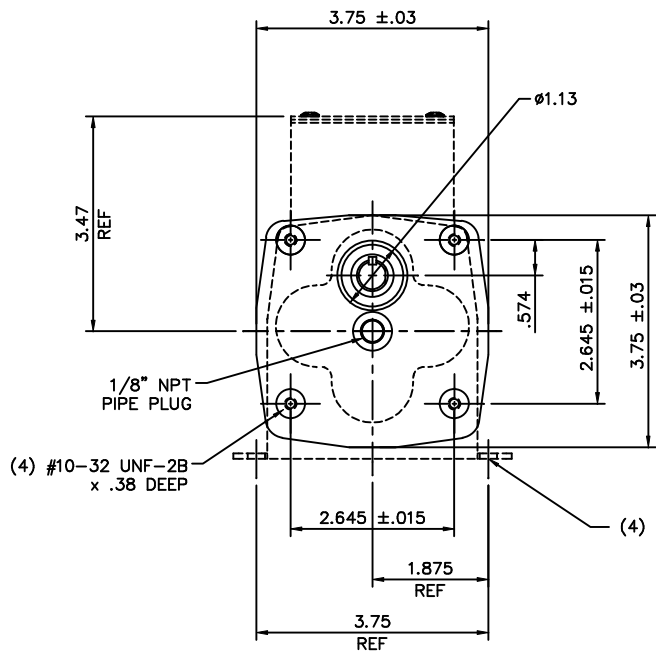
Output HP	0.06 Hp	Output KW	0.04 kW
Voltage	180 V	Current	0.36 A
Speed	100 rpm	Service Factor	1
Efficiency	54 %	Duty	Continuous
Insulation Class	F	Frame	30
Enclosure	Totally Enclosed Non Ventilated	Overload Protector	No
Ambient Temperature	40 °C	Drive End Bearing Size	6000
Opp Drive End Bearing Size	6000	UL	Recognized
CSA	Y	CE	Y

Technical Specifications

Rotation	Reversible	Mounting	Special
Shaft Type	Parallel	Overall Length	8.74 in
Frame Length	2.99 in	Shaft Diameter	0.500 in
Shaft Extension	1 in		
Outline Drawing	M1030957-M1125035	Connection Diagram	M100530201

This is an uncontrolled document once printed or downloaded and is subject to change without notice. Date Created: 10/15/2018

M1030957.00



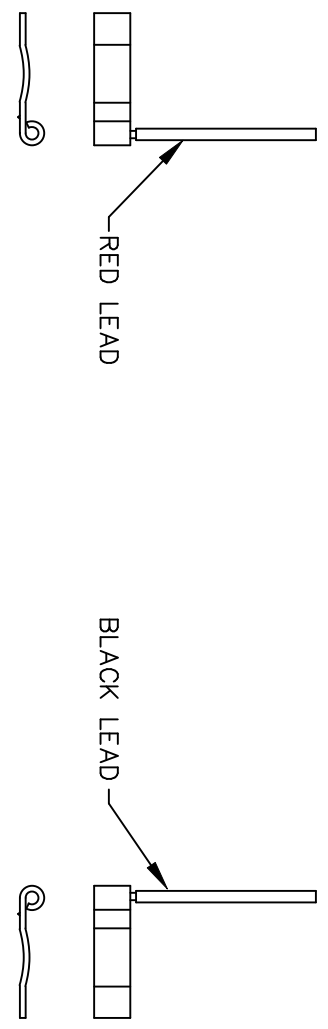
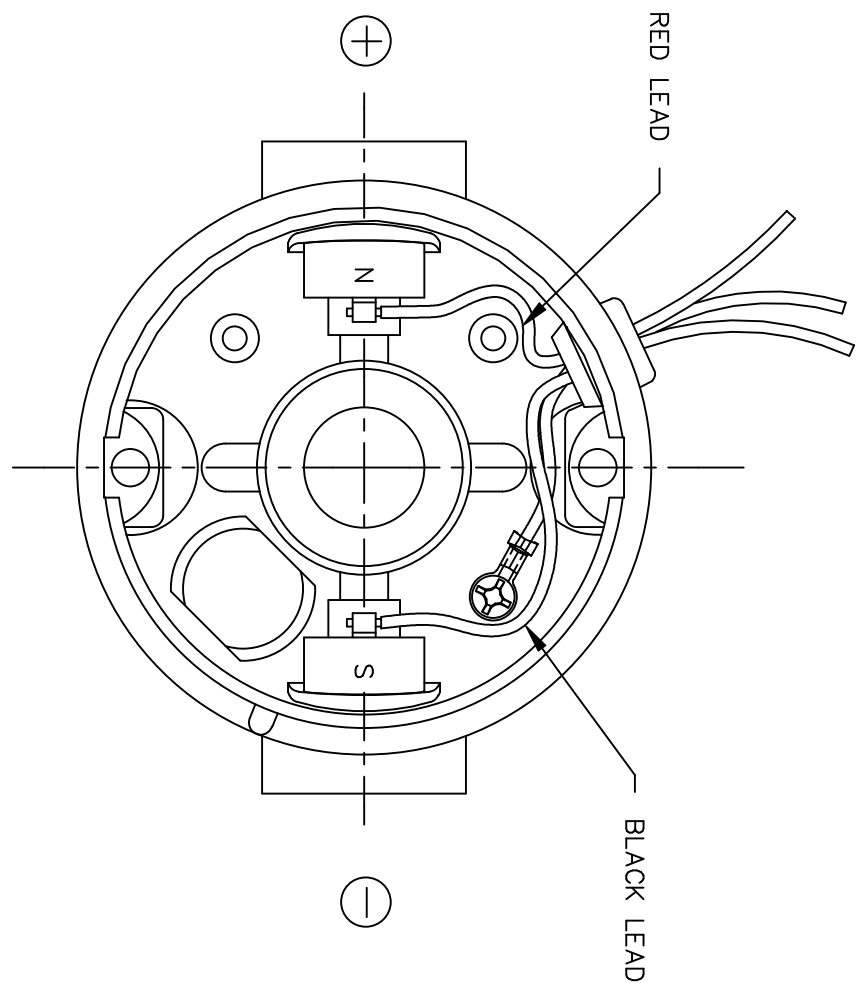
SHAFT DETAIL
SCALE 2:1

CATALOG No.	VOLTS	HP	RATIO	TORQUE IN-LB	RPM	"XL" INCH	"XH" INCH	"X" INCH
M1115000.00	90	1/20	90:1	100	20	9.30	7.74	3.24
M1115001.00	90	1/20	180:1	100	10	9.30	7.74	3.24
M1115002.00	90	1/40	450:1	40	4	9.30	7.74	3.24
M1125002.00	90	1/17	60:1	100	30	8.74	7.18	2.68
M1125003.00	90	1/17	30:1	56	60	8.74	7.18	2.68
M1125004.00	90	1/17	18:1	36	100	8.74	7.18	2.68
M1125005.00	90	1/17	12:1	24	150	8.46	6.90	2.40
M1125006.00	90	1/17	6:1	10	300	8.46	6.90	2.40
M1125033.00	180	1/17	6:1	10	300	8.46	6.90	2.40
M1125034.00	180	1/17	12:1	24	150	8.46	6.90	2.40
M1125035.00	180	1/17	18:1	36	100	8.74	7.18	2.68
M1125036.00	180	1/17	30:1	56	60	8.74	7.18	2.68
M1125037.00	180	1/17	60:1	100	30	8.74	7.18	2.68
M1125046.00	180	1/40	450:1	40	4	9.30	7.74	3.24
M1125047.00	180	1/20	180:1	100	10	9.30	7.74	3.24
M1125048.00	180	1/20	90:1	100	20	9.30	7.74	3.24


				TOLERANCES UNLESS SPECIFIED		LEESON ELECTRIC MOTORS GEARMOTORS AND DRIVES		DRAWN RWS 3/7/05				
		DEC. INCHES		CHK RPB 3/8/05								
		.X ±.1		APPD		TITLE		SCALE 1=2				
		.XX ±.03		REF M1115000-1125048		30 FRAME DC-PZ GEARBOX		FMF M1115002.00				
		.XXX ±.005		PREV								
00	RELEASED COMM CONVERSION PROJECT	RWS	4/13/05	RPB	.XXXX ±.0005	MAT'L						
NO.	REVISION	BY & DATE	CHK	ANG	±1/2"	FINISH						
THIS DRAWING IN DESIGN AND DETAIL IS OUR PROPERTY AND MUST NOT BE USED EXCEPT IN CONNECTION WITH OUR WORK ALL RIGHTS OF DESIGN AND INVENTION ARE RESERVED THIS IS AN ELECTRONICALLY GENERATED DOCUMENT - DO NOT SCALE THIS PRINT							RFP	CAD FILE	M1030957	SIZE	DRAWING NO.	REV.
							DIST			B	M1030957.00	00

```
ERROR: syntaxerror
OFFENDING COMMAND: --nostringval--
STACK:
  /im
  -savelevel -
```

D.C. MOTORS



EXTERNAL CONNECTIONS FOR CW ROTATION
 VIEWING LEAD END OF MOTOR WITH RED LEAD
 POSITIVE (+) AND BLACK LEAD NEGATIVE (-)
 FOR CCW ROTATION REVERSE POLARITY

				TOLERANCES UNLESS SPECIFIED		 ELECTRIC MOTORS GEARMOTORS AND DRIVES	DRAWN RWS 3/15/05 CHK RPB 3/15/05 APPD
				DEC.	INCHES		SCALE 1=1
				.X	±.1		REF 901.706
				.XX	±.01		FMF
				.XXX	±.005		PREV
00	RELEASED COMM CONVERSION PROJECT	RWS 4/13/05	RPB	.XXXX	±.0005	MAT'L.	
NO.	REVISION	BY & DATE	CHK	ANG	±1/2'	FINISH	
THIS DRAWING IN DESIGN AND DETAIL IS OUR PROPERTY AND MUST NOT BE USED EXCEPT IN CONNECTION WITH OUR WORK ALL RIGHTS OF DESIGN AND INVENTION ARE RESERVED THIS IS AN ELECTRONICALLY GENERATED DOCUMENT - DO NOT SCALE THIS PRINT				RFP		CAD FILE M100530201	SIZE A
				DIST			DRAWING NO. M1005302.01
							REV. 00