

PRODUCT INFORMATION PACKET



Model No: 985.627H
Catalog No: M1125002.00
...60:1.30RPM.100LBIN.1/17HP.30...DC GEARMOTORS.90V..TENV.985.627H
PZ Series



Regal and Leeson are trademarks of Regal Beloit Corporation or one of its affiliated companies.
©2018 Regal Beloit Corporation, All Rights Reserved. MC017097E





Nameplate Specifications

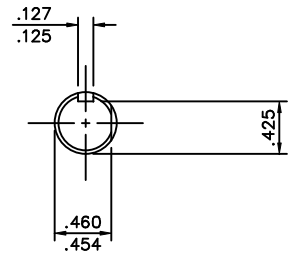
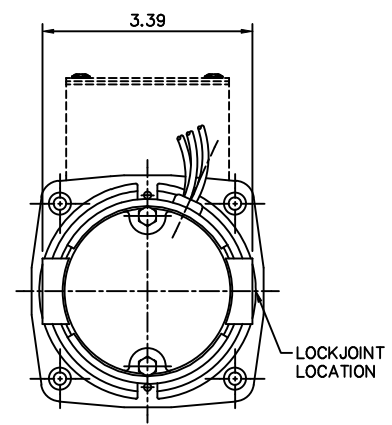
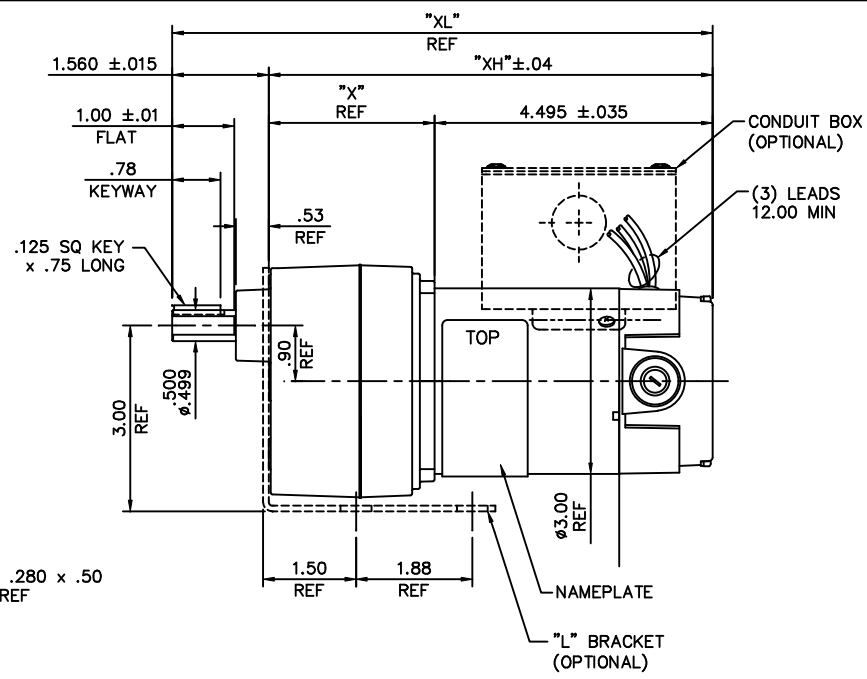
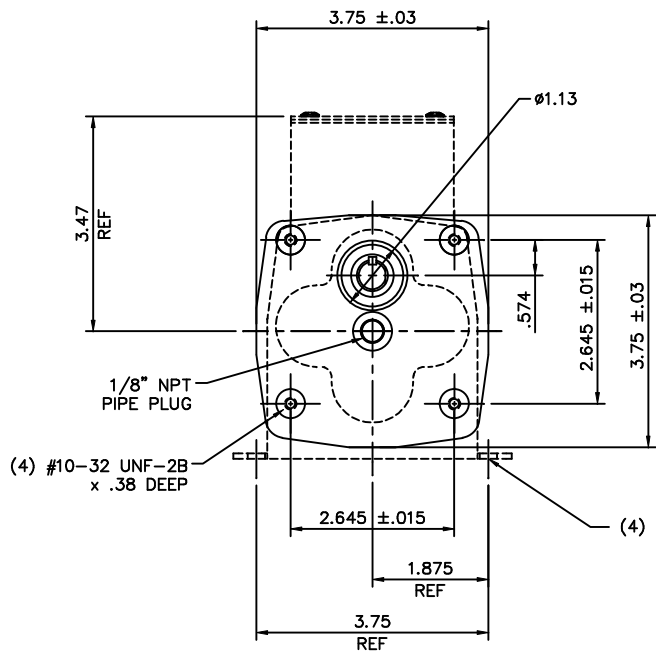
| | | | |
|----------------------------|---------------------------------|------------------------|------------|
| Output HP | 0.06 Hp | Output KW | 0.04 kW |
| Voltage | 90 V | Current | 0.80 A |
| Speed | 30 rpm | Service Factor | 1 |
| Efficiency | 55.1 % | Duty | Continuous |
| Insulation Class | F | Frame | 30 |
| Enclosure | Totally Enclosed Non Ventilated | Overload Protector | No |
| Ambient Temperature | 40 °C | Drive End Bearing Size | 6000 |
| Opp Drive End Bearing Size | 6000 | UL | Recognized |
| CSA | Y | CE | Y |

Technical Specifications

| | | | |
|-----------------|-------------------|--------------------|------------|
| Rotation | Reversible | Mounting | Special |
| Shaft Type | Parallel | Overall Length | 9.30 in |
| Frame Length | 2.99 in | Shaft Diameter | 0.500 in |
| Shaft Extension | 1 in | | |
| Outline Drawing | M1030957-M1125002 | Connection Diagram | M100530201 |

This is an uncontrolled document once printed or downloaded and is subject to change without notice. Date Created: 10/15/2018

M1030957.00



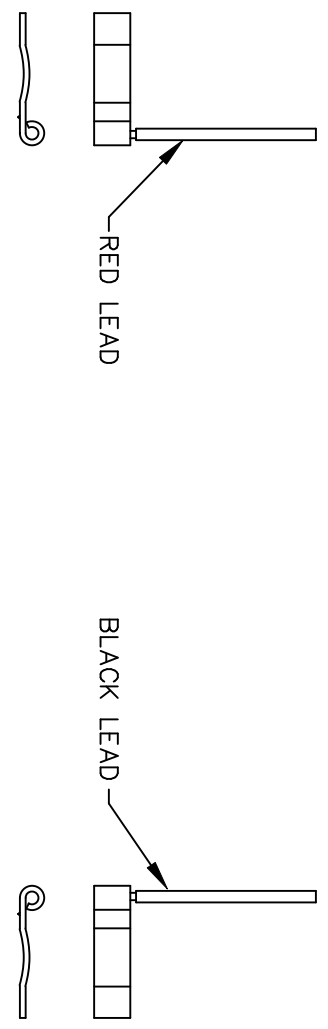
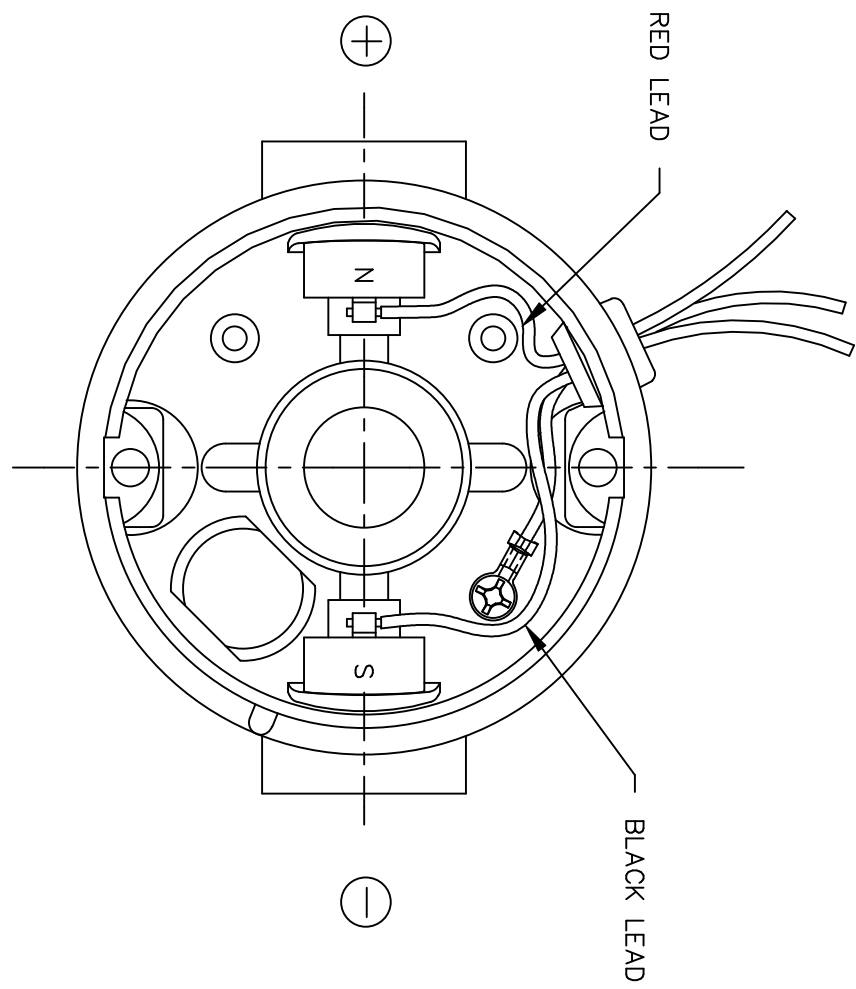
SHAFT DETAIL
SCALE 2:1

| CATALOG No. | VOLTS | HP | RATIO | TORQUE IN-LB | RPM | "XL" INCH | "XH" INCH | "X" INCH |
|-------------|-------|------|-------|--------------|-----|-----------|-----------|----------|
| M1115000.00 | 90 | 1/20 | 90:1 | 100 | 20 | 9.30 | 7.74 | 3.24 |
| M1115001.00 | 90 | 1/20 | 180:1 | 100 | 10 | 9.30 | 7.74 | 3.24 |
| M1115002.00 | 90 | 1/40 | 450:1 | 40 | 4 | 9.30 | 7.74 | 3.24 |
| M1125002.00 | 90 | 1/17 | 60:1 | 100 | 30 | 8.74 | 7.18 | 2.68 |
| M1125003.00 | 90 | 1/17 | 30:1 | 56 | 60 | 8.74 | 7.18 | 2.68 |
| M1125004.00 | 90 | 1/17 | 18:1 | 36 | 100 | 8.74 | 7.18 | 2.68 |
| M1125005.00 | 90 | 1/17 | 12:1 | 24 | 150 | 8.46 | 6.90 | 2.40 |
| M1125006.00 | 90 | 1/17 | 6:1 | 10 | 300 | 8.46 | 6.90 | 2.40 |
| M1125033.00 | 180 | 1/17 | 6:1 | 10 | 300 | 8.46 | 6.90 | 2.40 |
| M1125034.00 | 180 | 1/17 | 12:1 | 24 | 150 | 8.46 | 6.90 | 2.40 |
| M1125035.00 | 180 | 1/17 | 18:1 | 36 | 100 | 8.74 | 7.18 | 2.68 |
| M1125036.00 | 180 | 1/17 | 30:1 | 56 | 60 | 8.74 | 7.18 | 2.68 |
| M1125037.00 | 180 | 1/17 | 60:1 | 100 | 30 | 8.74 | 7.18 | 2.68 |
| M1125046.00 | 180 | 1/40 | 450:1 | 40 | 4 | 9.30 | 7.74 | 3.24 |
| M1125047.00 | 180 | 1/20 | 180:1 | 100 | 10 | 9.30 | 7.74 | 3.24 |
| M1125048.00 | 180 | 1/20 | 90:1 | 100 | 20 | 9.30 | 7.74 | 3.24 |


| | | | | | | | | | | |
|--|----------------------------------|-------------|-----|-----------------------------|--------|---|-----------------|----------------------|------|-------------|
| | | | | TOLERANCES UNLESS SPECIFIED | | LEESON ELECTRIC MOTORS GEARMOTORS AND DRIVES | | DRAWN RWS 3/7/05 | | |
| | | | | DEC. | INCHES | | | CHK RPB 3/8/05 | APPD | |
| | | | | | | TITLE | | SCALE 1=2 | | |
| | | | | | | 30 FRAME DC-PZ GEARBOX | | REF M1115000-1125048 | | |
| 00 | RELEASED COMM CONVERSION PROJECT | RWS 4/13/05 | RPB | .XXX | ±.005 | MAT'L | FMF M1115002.00 | | | |
| NO. | REVISION | BY & DATE | CHK | ANG | ±1/2" | FINISH | PREV | | | |
| THIS DRAWING IN DESIGN AND DETAIL IS OUR PROPERTY AND MUST NOT BE USED EXCEPT IN CONNECTION WITH OUR WORK ALL RIGHTS OF DESIGN AND INVENTION ARE RESERVED THIS IS AN ELECTRONICALLY GENERATED DOCUMENT - DO NOT SCALE THIS PRINT | | | | | | RFP | CAD FILE | M1030957 | SIZE | DRAWING NO. |
| | | | | | | DIST | | | B | M1030957.00 |
| | | | | | | | | | | REV. 00 |

```
ERROR: syntaxerror
OFFENDING COMMAND: --nostringval--
STACK:
  /im
  -savelevel -
```

D.C. MOTORS



EXTERNAL CONNECTIONS FOR CW ROTATION
 VIEWING LEAD END OF MOTOR WITH RED LEAD
 POSITIVE (+) AND BLACK LEAD NEGATIVE (-)
 FOR CCW ROTATION REVERSE POLARITY

| | | | | | | | |
|--|----------------------------------|-------------|-----|-----------------------------|--------|---|--|
| | | | | TOLERANCES UNLESS SPECIFIED | |  ELECTRIC MOTORS GEARMOTORS AND DRIVES | DRAWN RWS 3/15/05 CHK RPB 3/15/05 APPD |
| | | | | DEC. | INCHES | | SCALE 1=1 |
| | | | | .X | ±.1 | | REF 901.706 |
| | | | | .XX | ±.01 | | FMF |
| | | | | .XXX | ±.005 | | PREV |
| 00 | RELEASED COMM CONVERSION PROJECT | RWS 4/13/05 | RPB | .XXXX | ±.0005 | MAT'L. | |
| NO. | REVISION | BY & DATE | CHK | ANG | ±1/2" | FINISH | |
| THIS DRAWING IN DESIGN AND DETAIL IS OUR PROPERTY AND MUST NOT BE USED EXCEPT IN CONNECTION WITH OUR WORK ALL RIGHTS OF DESIGN AND INVENTION ARE RESERVED THIS IS AN ELECTRONICALLY GENERATED DOCUMENT - DO NOT SCALE THIS PRINT | | | | RFP | | CAD FILE M100530201 | SIZE A |
| | | | | DIST | | | DRAWING NO. M1005302.01 |
| | | | | | | | REV. 00 |