

PRODUCT INFORMATION PACKET



Model No: CM32D25VC2C

Catalog No: M1120186.00

1/4HP.2500RPM.32.IP55.12V.CONT.40C.1.0SF.C FACE.WASJHGUARD.CM32D25VC2C
Sub-Fractional



Regal and Leeson are trademarks of Regal Beloit Corporation or one of its affiliated companies.

©2018 Regal Beloit Corporation, All Rights Reserved. MC017097E





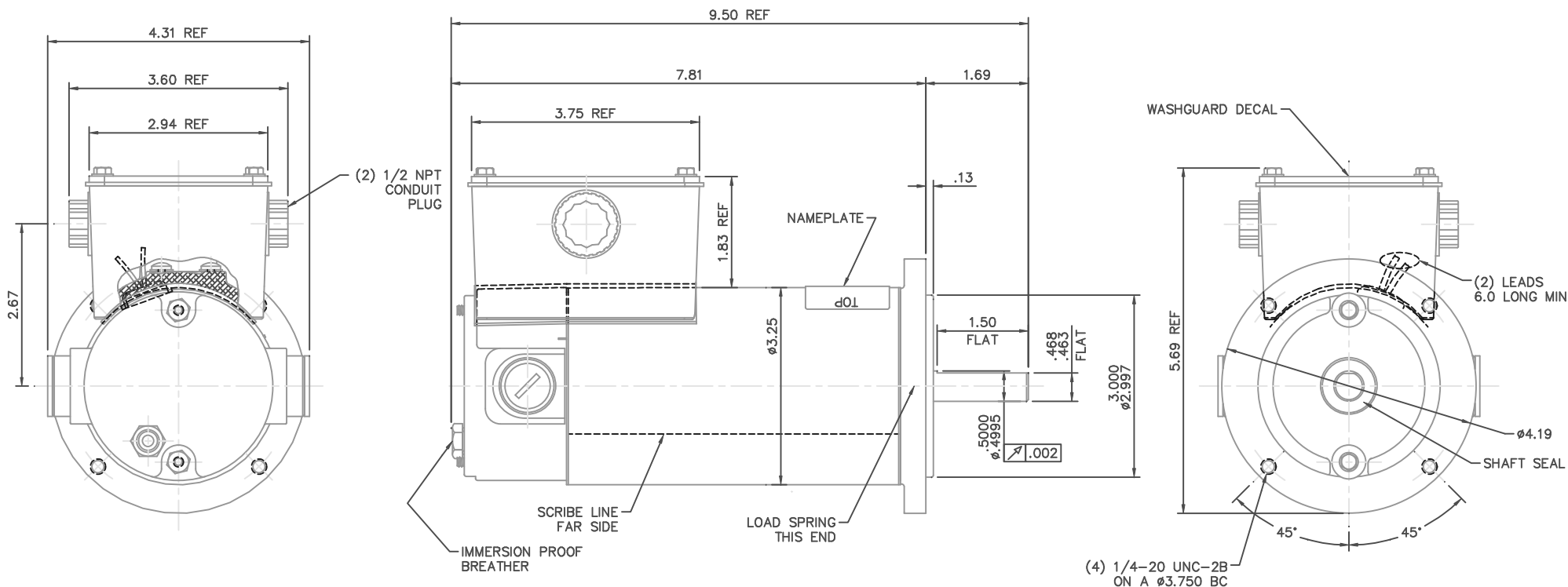
Nameplate Specifications

Output HP	0.25 Hp	Output KW	0.19 kW
Voltage	12 V	Current	20.0 A
Speed	2500 rpm	Service Factor	1
Efficiency	76.3 %	Duty	Continuous
Insulation Class	F	Frame	32
Enclosure	IP55	Overload Protector	No
Ambient Temperature	40 °C	Drive End Bearing Size	6201-13
Opp Drive End Bearing Size	6201-13	UL	Recognized
CSA	Y	CE	N

Technical Specifications

Rotation	Reversible	Mounting	Round
Overall Length	9.50 in	Frame Length	5.44 in
Shaft Diameter	0.500 in	Shaft Extension	1.69 in
Outline Drawing	M1030979	Connection Diagram	M100530801

This is an uncontrolled document once printed or downloaded and is subject to change without notice. Date Created: 10/15/2018

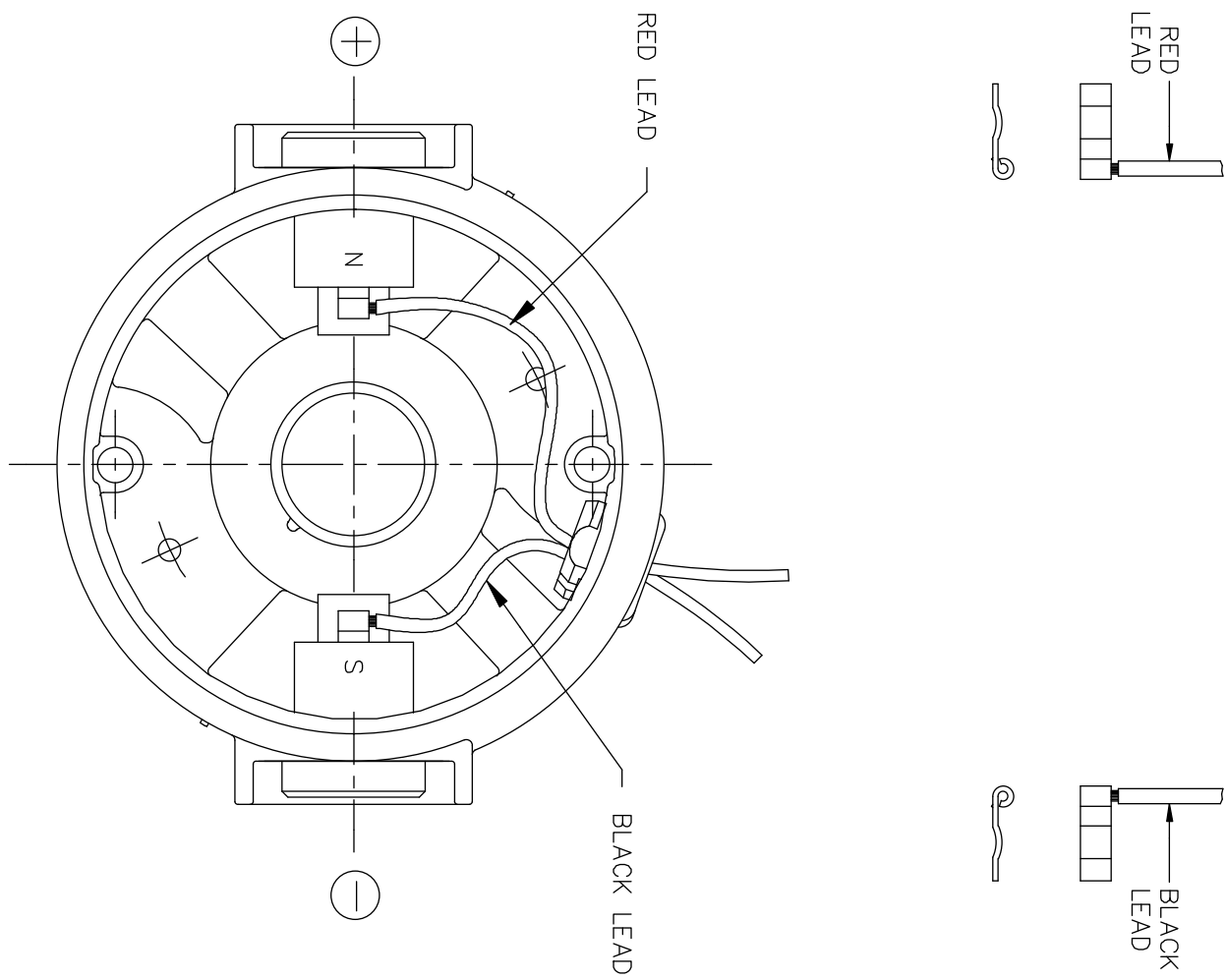


NOTES:


- 1) GASKETS BETWEEN FRAME AND ENDBELLS, CONDUIT BOX AND FRAME, AND CONDUIT BOX COVER AND CONDUIT BOX.

				TOLERANCES UNLESS SPECIFIED		LEESON ELECTRIC MOTORS GEARMOTORS AND DRIVES		DRAWN IPG 4/27/05			
03	1/2 NPT CONDUIT PLUG QTY. WAS 3. ISAAC 08-3457	RPB	7/29/08	BC	DEC.	INCHES	TITLE	OUTLINE	CHK	SAD 4/27/05	
02	REMOVED (2) O-RINGS FROM INSIDE OF BRUSH HOLDERS.				.X	±.1			SCALE	5=8	
	CHANGED BRUSH CAPS & ADDED TEFLON. ECN 07-4097	RPB	11/21/07	BC	.XX	±.03	MAT'L	32 FRAME DC	REF	PR040118-RD1	
01	REVISED SHAFT EXTENSION AND SE ENDBELL ECR 86186	SAD	7/19/05	BC	.XXX	±.005			FMF	M1120186.00	
00	RELEASED: REF. PRO40118-RD1 & M1030970.00	IPG	4/27/05	SAD	.XXXX	±.0005	FINISH		PREV		
NO. REVISION		BY & DATE		CHK	ANG	±1/2"	CAD FILE	M1030979	SIZE	DRAWING NO.	REV.
THIS DRAWING IN DESIGN AND DETAIL IS OUR PROPERTY AND MUST NOT BE USED EXCEPT IN CONNECTION WITH OUR WORK ALL RIGHTS OF DESIGN AND INVENTION ARE RESERVED THIS IS AN ELECTRONICALLY GENERATED DOCUMENT - DO NOT SCALE THIS PRINT				RFP					B	M1030979.00	03
				DIST							

D.C. MOTORS



EXTERNAL CONNECTIONS FOR CW ROTATION
 VIEWING LEAD END OF MOTOR WITH RED LEAD
 POSITIVE (+) AND BLACK LEAD NEGATIVE (-)
 FOR CCW ROTATION REVERSE POLARITY

		TOLERANCES UNLESS SPECIFIED		 ELECTRIC MOTORS GEARMOTORS AND DRIVES	DRAWN	IPG 4/8/05					
		DEC.	INCHES		CHK	SAD 4/8/05					
		.X	±.1		APPD						
		.XX	±.01		TITLE	CONNECTION DIAGRAM					
		.XXX	±.005		SCALE	1=1					
00	RELEASED: REF. PR040117-RD1	IPG	4/8/05	SAD	.XXXX	±.0005	MAT'L.	REF	PR040117-RD1	FMF	M1120085.00
NO.	REVISION	BY & DATE	CHK	ANG	±1/2'	FINISH		PREV			
THIS DRAWING IN DESIGN AND DETAIL IS OUR PROPERTY AND MUST NOT BE USED EXCEPT IN CONNECTION WITH OUR WORK ALL RIGHTS OF DESIGN AND INVENTION ARE RESERVED THIS IS AN ELECTRONICALLY GENERATED DOCUMENT - DO NOT SCALE THIS PRINT				RFP	CAD FILE	M100530801	SIZE	DRAWING NO.	REV.		
				DIST			A	M1005308.01	00		