

# PRODUCT INFORMATION PACKET



Model No: CM32D25VC1B

Catalog No: M1120185.00

1/4HP.2500RPM.32.IP55.90V.CONT.40C.1.0SF.C FACE.WASHGUARD.CM32D25VC1B  
Sub-Fractional



Regal and Leeson are trademarks of Regal Beloit Corporation or one of its affiliated companies.

©2018 Regal Beloit Corporation, All Rights Reserved. MC017097E





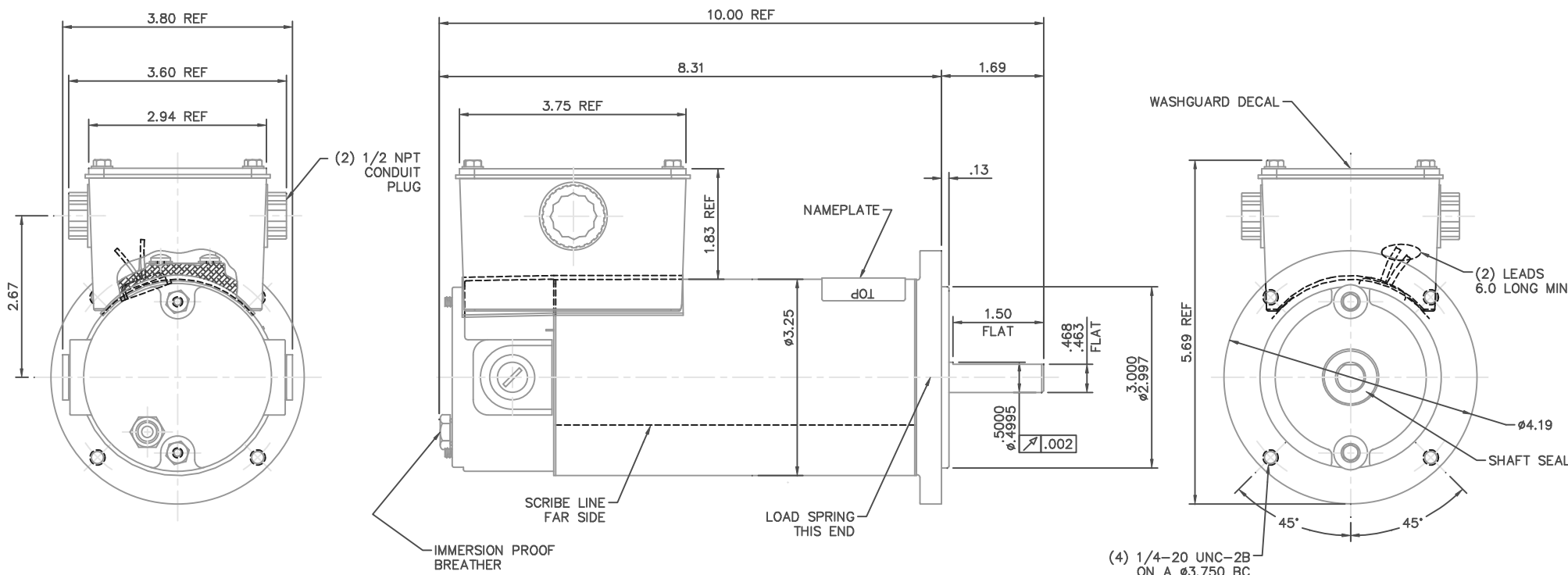
### Nameplate Specifications

Output HP	<b>0.25 Hp</b>	Output KW	<b>0.19 kW</b>
Voltage	<b>90 V</b>	Current	<b>2.6 A</b>
Speed	<b>2500 rpm</b>	Service Factor	<b>1</b>
Efficiency	<b>84.4 %</b>	Duty	<b>Continuous</b>
Insulation Class	<b>F</b>	Frame	<b>32</b>
Enclosure	<b>IP55</b>	Overload Protector	<b>No</b>
Ambient Temperature	<b>40 °C</b>	Drive End Bearing Size	<b>6201-13</b>
Opp Drive End Bearing Size	<b>6201-13</b>	UL	<b>Recognized</b>
CSA	<b>Y</b>	CE	<b>N</b>


### Technical Specifications

Rotation	<b>Reversible</b>	Mounting	<b>Round</b>
Overall Length	<b>10.00 in</b>	Frame Length	<b>5.94 in</b>
Shaft Diameter	<b>0.500 in</b>	Shaft Extension	<b>1.69 in</b>
Outline Drawing	<b>M1030970</b>	Connection Diagram	<b>M100530801</b>

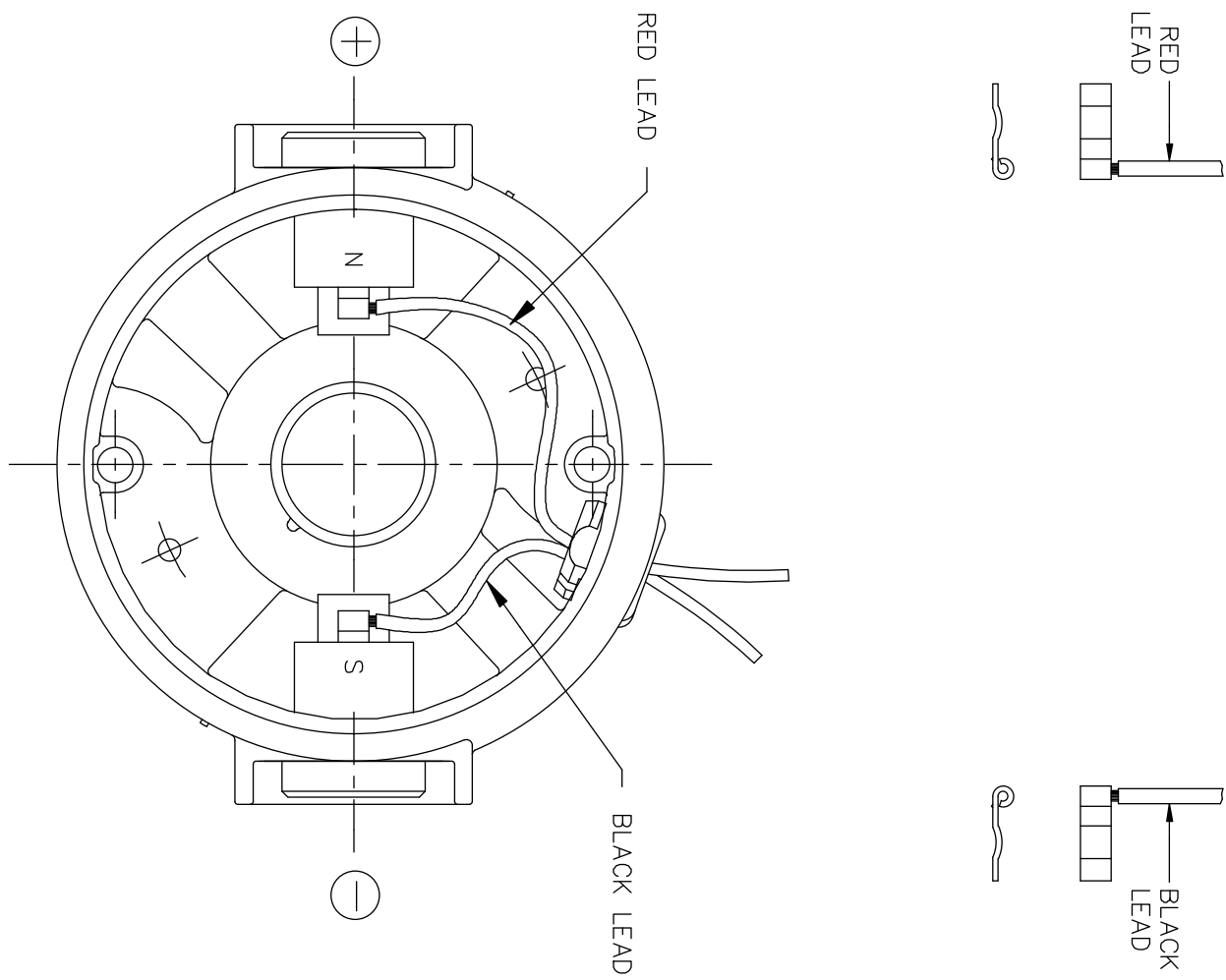
**This is an uncontrolled document once printed or downloaded and is subject to change without notice. Date Created: 10/15/2018**




NOTES:  
 1) GASKETS BETWEEN FRAME AND ENDBELLS, CONDUIT BOX AND FRAME, AND CONDUIT BOX COVER AND CONDUIT BOX.

				TOLERANCES UNLESS SPECIFIED		 ELECTRIC MOTORS GEARMOTORS AND DRIVES	DRAWN IPG 4/26/05	
				DEC.	INCHES		CHK	SAD 4/26/05
02	1/2 NPT CONDUIT PLUG QTY. WAS 3. ISAAC 08-3457	RPB	7/29/08	BC	.XX	$\pm .03$	TITLE	OUTLINE
01	REVISED SHAFT EXTENSION & SE ENDBELL ECR 86186	SAD	7/19/05	BC	.XXX	$\pm .005$		SCALE 5=8
00	RELEASED: REF. PR040117-RD1	IPG	4/26/05	SAD	.XXXX	$\pm .0005$		REF PR040117-RD1
					CHK	ANG $\pm 1/2'$	MAT'L	FMF M1120185.00
							FINISH	PREV
THIS DRAWING IN DESIGN AND DETAIL IS OUR PROPERTY AND MUST NOT BE USED EXCEPT IN CONNECTION WITH OUR WORK ALL RIGHTS OF DESIGN AND INVENTION ARE RESERVED THIS IS AN ELECTRONICALLY GENERATED DOCUMENT - DO NOT SCALE THIS PRINT				RFP	CAD FILE	M1030970	SIZE	DRAWING NO.
				DIST			B	M1030970.00
								REV. 02

D.C. MOTORS



EXTERNAL CONNECTIONS FOR CW ROTATION  
 VIEWING LEAD END OF MOTOR WITH RED LEAD  
 POSITIVE (+) AND BLACK LEAD NEGATIVE (-)  
 FOR CCW ROTATION REVERSE POLARITY

		TOLERANCES UNLESS SPECIFIED		 ELECTRIC MOTORS GEARMOTORS AND DRIVES	DRAWN IPG 4/8/05
		DEC.	INCHES		CHK SAD 4/8/05
		.X	±.1		APPD
		.XX	±.01		SCALE 1=1
		.XXX	±.005		REF PR040117-RD1
00	RELEASED: REF. PR040117-RD1	IPG 4/8/05	SAD .XXXX ±.0005	MAT'L.	FMF M1120085.00
NO.	REVISION	BY & DATE	CHK ANG ±1/2'	FINISH	PREV
THIS DRAWING IN DESIGN AND DETAIL IS OUR PROPERTY AND MUST NOT BE USED EXCEPT IN CONNECTION WITH OUR WORK ALL RIGHTS OF DESIGN AND INVENTION ARE RESERVED THIS IS AN ELECTRONICALLY GENERATED DOCUMENT - DO NOT SCALE THIS PRINT			RFP	CAD FILE M100530801	SIZE A
			DIST		DRAWING NO. M1005308.01
					REV. 00