

PRODUCT INFORMATION PACKET



Model No: CM31D17VZ4C

Catalog No: M1120184.00

1/6HP.1800RPM.31.IP55.12V.CONT.40C.1.0SF.SQ. FLANGE.WASHGUARD.CM31D17VZ4C
Sub-Fractional



Regal and Leeson are trademarks of Regal Beloit Corporation or one of its affiliated companies.

©2018 Regal Beloit Corporation, All Rights Reserved. MC017097E





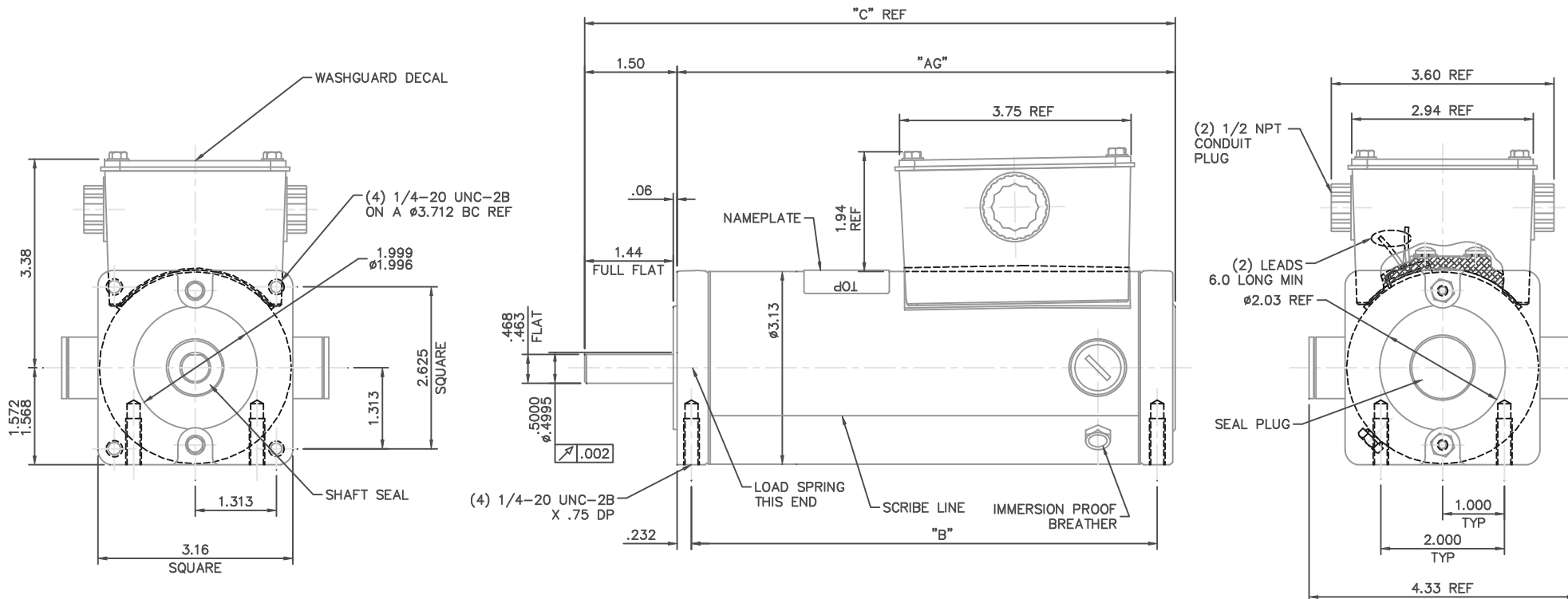
Nameplate Specifications

Output HP	0.17 Hp	Output KW	0.13 kW
Voltage	12 V	Current	13.0 A
Speed	1800 rpm	Service Factor	1
Efficiency	72.8 %	Duty	Continuous
Insulation Class	F	Frame	31
Enclosure	IP55	Overload Protector	No
Ambient Temperature	40 °C	Drive End Bearing Size	6201-13
Opp Drive End Bearing Size	6201-13	UL	Recognized
CSA	Y	CE	N

Technical Specifications

Rotation	Reversible	Mounting	Round
Overall Length	8.07 in	Frame Length	6.94 in
Shaft Diameter	0.500 in	Shaft Extension	1.5 in
Outline Drawing	M1030969-M1120184	Connection Diagram	M100530501

This is an uncontrolled document once printed or downloaded and is subject to change without notice. Date Created: 10/15/2018



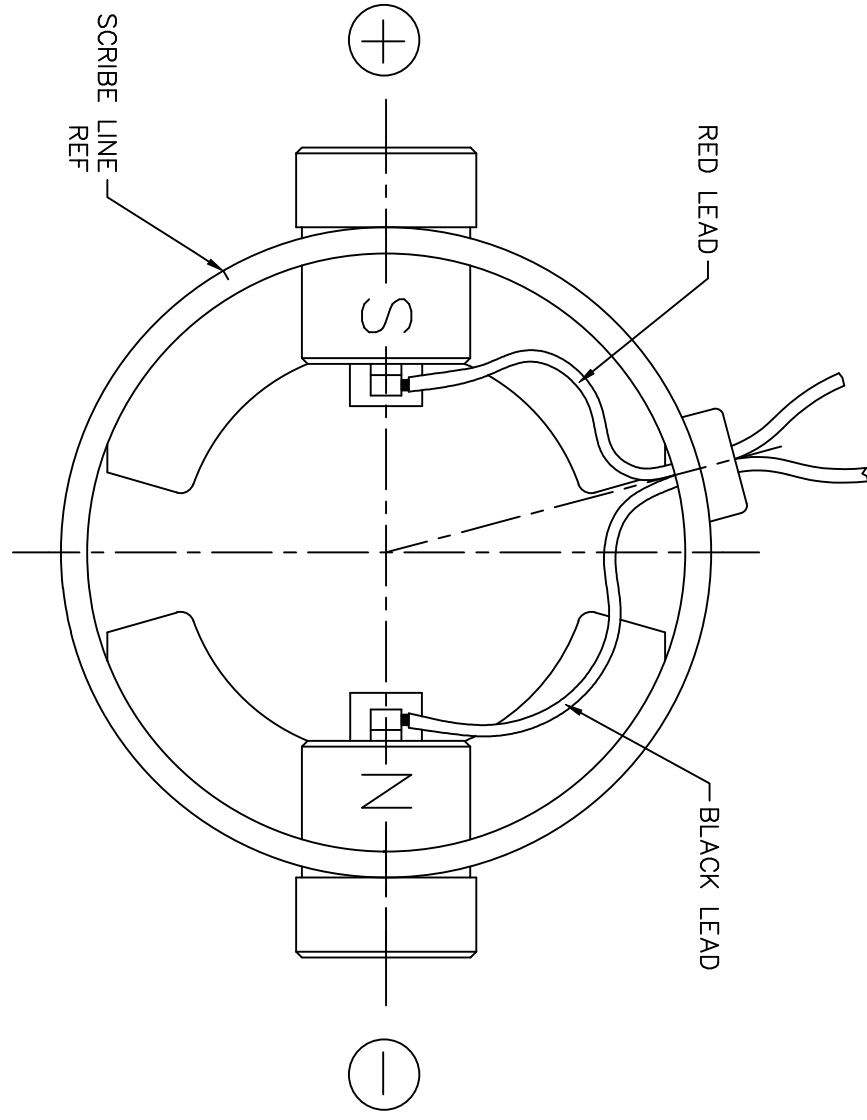
NOTES:

- 1) END CAP MOUNTING FEET TO BE PARALLEL TO EACH OTHER WITHIN .002.
- 2) GASKETS BETWEEN FRAME AND ENDBELLS, CONDUIT BOX AND FRAME, AND CONDUIT BOX COVER AND CONDUIT BOX.


M1120182.00	6.57	6.05	8.07	12	1/8	1750
M1120184.00	8.07	7.55	9.57	12	1/6	1750
CATALOG NO.	"AG" DIM	"B" DIM	"C" DIM	VOLT	H.P.	RPM

NO.	REVISION	BY & DATE	CHK	ANG	±1/2'	FINISH	PREV
04	1/2 NPT CONDUIT PLUG QTY. WAS 3. ISAAC 08-3457	RPB 7/29/08	BC				
03	REMOVED (2) O-RINGS FROM INSIDE OF BRUSH HOLDERS, CHANGED BRUSH CAPS & ADDED TEFLON. ECN 07-4097	RPB 11/20/07	BC	.X	±.1		
02	ADDED LEAD LENGTH, CLARIFIED NOTE 2, ECR 86549	IPG 4/12/05	SAD	.XX	±.03		
01	ADDED CAT. # M1120182.00 TO TABLE	IPG 4/7/05	SAD	.XXX	±.005		
00	RELEASED: REF. M1030965.00 & PR040116-RD1	IPG 4/6/05	SAD	.XXXX	±.0005		
<p>THIS DRAWING IN DESIGN AND DETAIL IS OUR PROPERTY AND MUST NOT BE USED EXCEPT IN CONNECTION WITH OUR WORK ALL RIGHTS OF DESIGN AND INVENTION ARE RESERVED THIS IS AN ELECTRONICALLY GENERATED DOCUMENT - DO NOT SCALE THIS PRINT</p>							
			RFP	ANG	±1/2'	FINISH	
			DIST				
<p>LEESON ELECTRIC MOTORS GEARMOTORS AND DRIVES</p>						<p>OUTLINE 31 FRAME DC</p>	
<p>UNLESS SPECIFIED</p>						<p>SCALE 5=8</p>	
<p>TITLE</p>						<p>REF PR040116-RD1</p>	
<p>CAD FILE M1030969</p>						<p>FMF M1120184.00</p>	
<p>SIZE B</p>						<p>APPD</p>	
<p>DRAWING NO. M1030969.00</p>						<p>CHK SAD 4/6/05</p>	
<p>REV. 04</p>						<p>PREV</p>	

DC MOTORS



EXTERNAL CONNECTIONS FOR CCW ROTATION VIEWING
 LEAD END OF MOTOR WITH RED LEAD POSITIVE (+)
 AND BLACK LEAD NEGATIVE (-) FOR CW ROTATION
 REVERSE POLARITY

				TOLERANCES UNLESS SPECIFIED		 ELECTRIC MOTORS GEARMOTORS AND DRIVES	DRAWN IPG 3/23/05 CHK SAD 3/23/05 APPD SCALE 1=1 REF PR040115-RD1 FMF M1120183.00 PREV
				DEC.	INCHES		TITLE CONNECTION DIAGRAM MAT'L. SEE ABOVE FINISH
				.X	±.1		
				.XX	±.01		
				.XXX	±.005		
00	RELEASED: SAME AS PR040115-RD1	IPG 3/23/05	SAD	.XXXX	±.0005		
NO.	REVISION	BY & DATE	CHK	ANG	±1/2°		
THIS DRAWING IN DESIGN AND DETAIL IS OUR PROPERTY AND MUST NOT BE USED EXCEPT IN CONNECTION WITH OUR WORK ALL RIGHTS OF DESIGN AND INVENTION ARE RESERVED THIS IS AN ELECTRONICALLY GENERATED DOCUMENT - DO NOT SCALE THIS PRINT			RFP	CAD FILE M100530501		SIZE A	DRAWING NO. M1005305.01
			DIST				REV. 00

ERROR: undefined
OFFENDING COMMAND: s
STACK :