

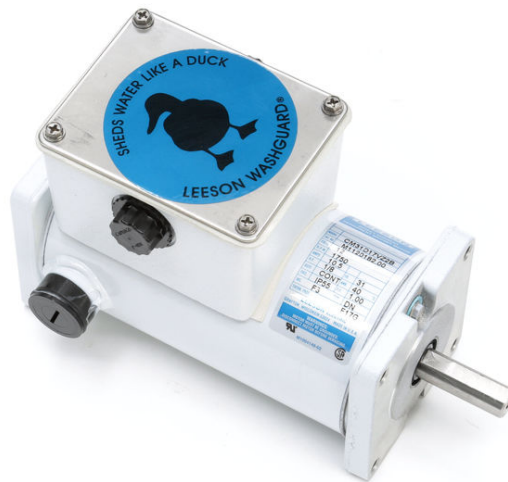
PRODUCT INFORMATION PACKET



Model No: CM31D17VZ2B

Catalog No: M1120182.00

1/8HP.1750RPM.31.IP55.12V.CONT.40C.1.0SF.SQ. FLANGE.WASHGUARD.CM31D17VZ2B
Sub-Fractional



Regal and Leeson are trademarks of Regal Beloit Corporation or one of its affiliated companies.

©2018 Regal Beloit Corporation, All Rights Reserved. MC017097E





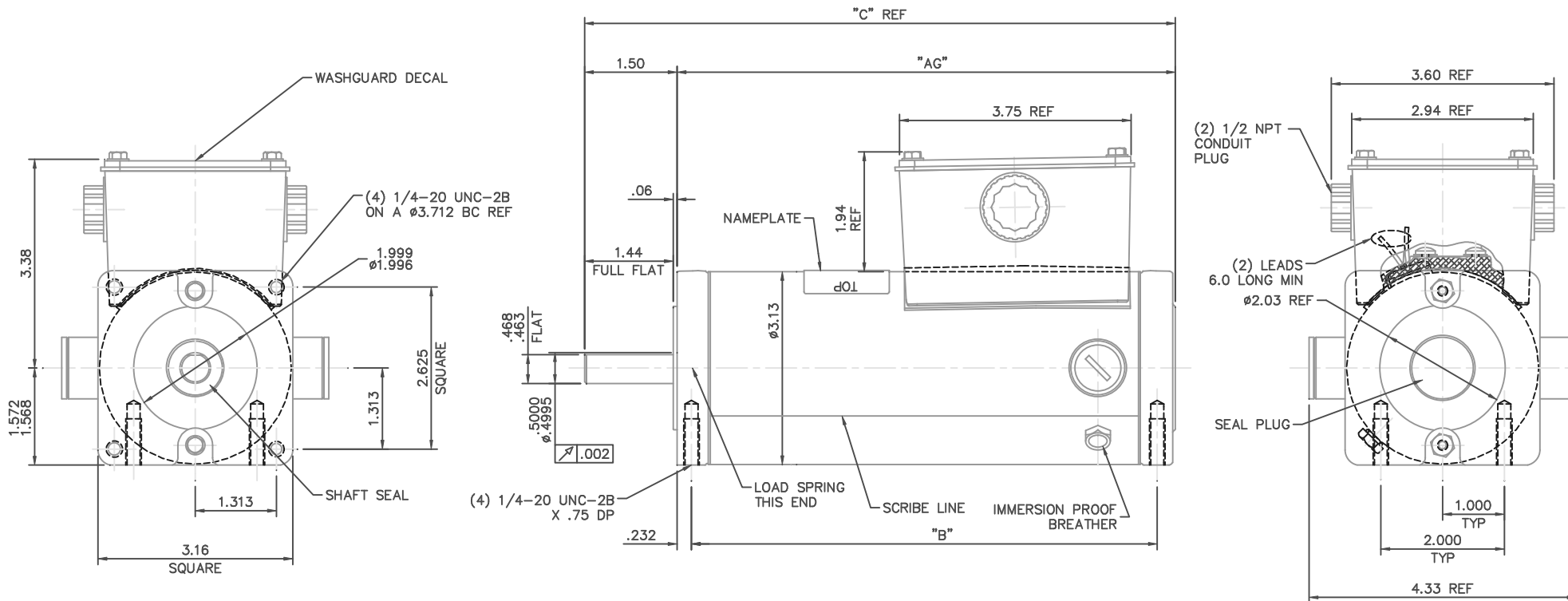
Nameplate Specifications

| | | | |
|----------------------------|----------|------------------------|------------|
| Output HP | 0.13 Hp | Output KW | 0.10 kW |
| Voltage | 12 V | Current | 10.5 A |
| Speed | 1750 rpm | Service Factor | 1 |
| Efficiency | 74.7 % | Duty | Continuous |
| Insulation Class | F | Frame | 31 |
| Enclosure | IP55 | Overload Protector | No |
| Ambient Temperature | 40 °C | Drive End Bearing Size | 6201-13 |
| Opp Drive End Bearing Size | 6201-13 | UL | Recognized |
| CSA | Y | CE | N |

Technical Specifications

| | | | |
|-----------------|-------------------|--------------------|------------|
| Rotation | Reversible | Mounting | Round |
| Overall Length | 9.57 in | Frame Length | 5.44 in |
| Shaft Diameter | 0.500 in | Shaft Extension | 1.5 in |
| Outline Drawing | M1030969-M1120182 | Connection Diagram | M100530501 |

This is an uncontrolled document once printed or downloaded and is subject to change without notice. Date Created: 10/15/2018



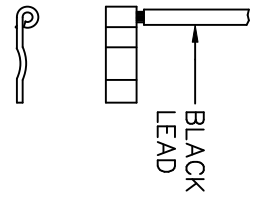
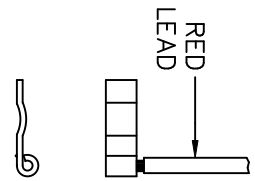
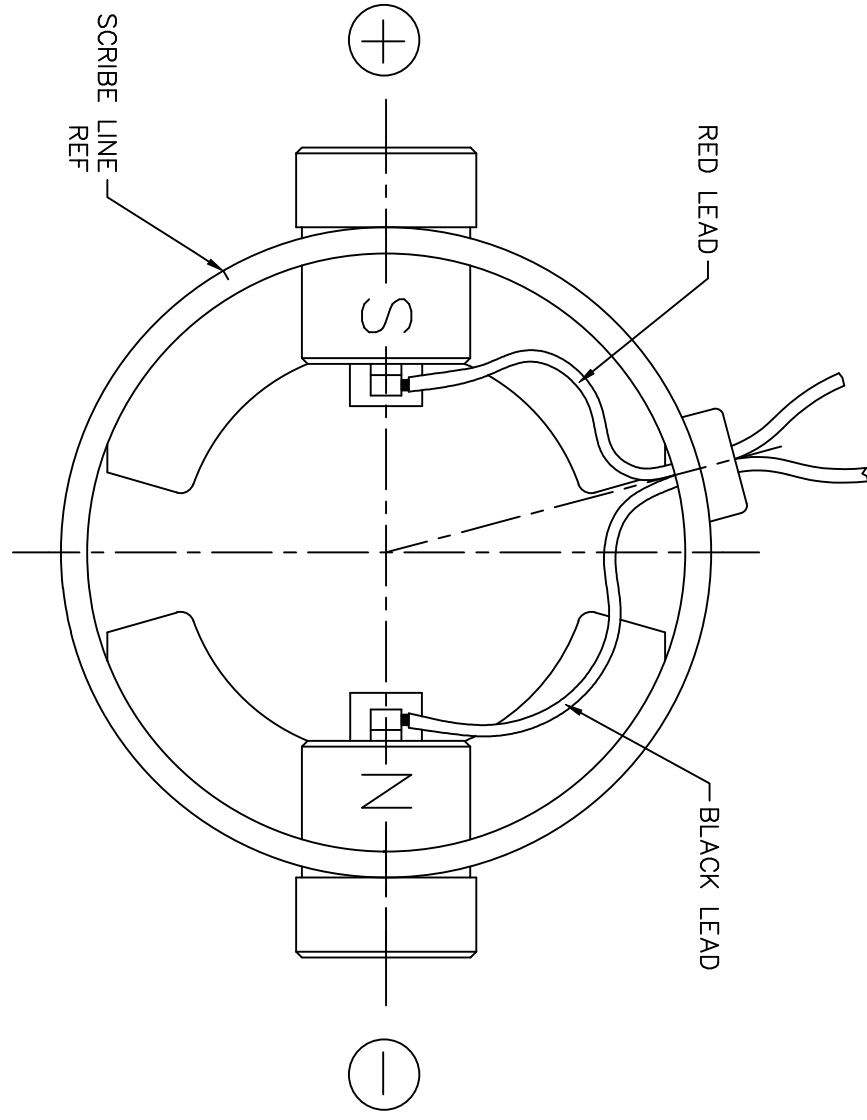
NOTES:

- 1) END CAP MOUNTING FEET TO BE PARALLEL TO EACH OTHER WITHIN .002.
- 2) GASKETS BETWEEN FRAME AND ENDBELLS, CONDUIT BOX AND FRAME, AND CONDUIT BOX COVER AND CONDUIT BOX.


| | | | | | | |
|-------------|----------|---------|---------|------|------|------|
| M1120182.00 | 6.57 | 6.05 | 8.07 | 12 | 1/8 | 1750 |
| M1120184.00 | 8.07 | 7.55 | 9.57 | 12 | 1/6 | 1750 |
| CATALOG NO. | "AG" DIM | "B" DIM | "C" DIM | VOLT | H.P. | RPM |

| NO. | REVISION | BY & DATE | CHK | ANG | ±1/2' | FINISH | PREV |
|---|--|--------------|-----|-------|--------|--|------|
| 04 | 1/2 NPT CONDUIT PLUG QTY. WAS 3. ISAAC 08-3457 | RPB 7/29/08 | BC | | | | |
| 03 | REMOVED (2) O-RINGS FROM INSIDE OF BRUSH HOLDERS, CHANGED BRUSH CAPS & ADDED TEFLON. ECN 07-4097 | RPB 11/20/07 | BC | .X | ±.1 | | |
| 02 | ADDED LEAD LENGTH, CLARIFIED NOTE 2, ECR 86549 | IPG 4/12/05 | SAD | .XX | ±.03 | | |
| 01 | ADDED CAT. # M1120182.00 TO TABLE | IPG 4/7/05 | SAD | .XXX | ±.005 | | |
| 00 | RELEASED: REF. M1030965.00 & PR040116-RD1 | IPG 4/6/05 | SAD | .XXXX | ±.0005 | | |
| <p>THIS DRAWING IN DESIGN AND DETAIL IS OUR PROPERTY AND MUST NOT BE USED EXCEPT IN CONNECTION WITH OUR WORK ALL RIGHTS OF DESIGN AND INVENTION ARE RESERVED THIS IS AN ELECTRONICALLY GENERATED DOCUMENT - DO NOT SCALE THIS PRINT</p> | | | | | | <p>RFP DIST</p> | |
| <p>UNLESS SPECIFIED</p> | | | | | | <p>TOLERANCES IN INCHES</p> | |
| <p>LEESON</p> | | | | | | <p>ELECTRIC MOTORS GEARMOTORS AND DRIVES</p> | |
| <p>REVISED</p> | | | | | | <p>TITLE</p> | |
| <p>OUTLINE 31 FRAME DC</p> | | | | | | <p>SCALE 5=8</p> | |
| <p>REVISION</p> | | | | | | <p>REF PR040116-RD1</p> | |
| <p>BY & DATE</p> | | | | | | <p>FMF M1120184.00</p> | |
| <p>CAD FILE M1030969</p> | | | | | | <p>SIZE B</p> | |
| <p>DRAWING NO. M1030969.00</p> | | | | | | <p>REV. 04</p> | |

DC MOTORS



EXTERNAL CONNECTIONS FOR CCW ROTATION VIEWING
LEAD END OF MOTOR WITH RED LEAD POSITIVE (+)
AND BLACK LEAD NEGATIVE (-) FOR CW ROTATION
REVERSE POLARITY

| | | | | | | | | | | |
|--|--------------------------------|-------------|-----|-----------------------------|--------|---|------------|--------------------|--------------|------|
| | | | | TOLERANCES UNLESS SPECIFIED | |  ELECTRIC MOTORS GEARMOTORS AND DRIVES | DRAWN | IPG 3/23/05 | | |
| | | | | DEC. | INCHES | | CHK | SAD 3/23/05 | | |
| | | | | .X | ±.1 | | APPD | | | |
| | | | | .XX | ±.01 | | TITLE | CONNECTION DIAGRAM | | |
| | | | | .XXX | ±.005 | | SCALE | 1=1 | | |
| 00 | RELEASED: SAME AS PR040115-RD1 | IPG 3/23/05 | SAD | .XXXX | ±.0005 | MAT'L. | SEE ABOVE | REF | PR040115-RD1 | |
| NO. | REVISION | BY & DATE | CHK | ANG | ±1/2° | FINISH | | FMF | M1120183.00 | |
| THIS DRAWING IN DESIGN AND DETAIL IS OUR PROPERTY AND MUST NOT BE USED EXCEPT IN CONNECTION WITH OUR WORK ALL RIGHTS OF DESIGN AND INVENTION ARE RESERVED THIS IS AN ELECTRONICALLY GENERATED DOCUMENT - DO NOT SCALE THIS PRINT | | | | RFP | | CAD FILE | M100530501 | SIZE | DRAWING NO. | REV. |
| | | | | DIST | | | | A | M1005305.01 | 00 |

ERROR: undefined
OFFENDING COMMAND: s
STACK :