

PRODUCT INFORMATION PACKET



Model No: CM31D17VZ1A

Catalog No: M1120181.00

1/8HP.1750RPM.31.IP55.90V.CONT.40C.1.0SF.SQ. FLANGE.WASHGUARD.CM31D17VZ1A
Sub-Fractional



Regal and Leeson are trademarks of Regal Beloit Corporation or one of its affiliated companies.

©2018 Regal Beloit Corporation, All Rights Reserved. MC017097E





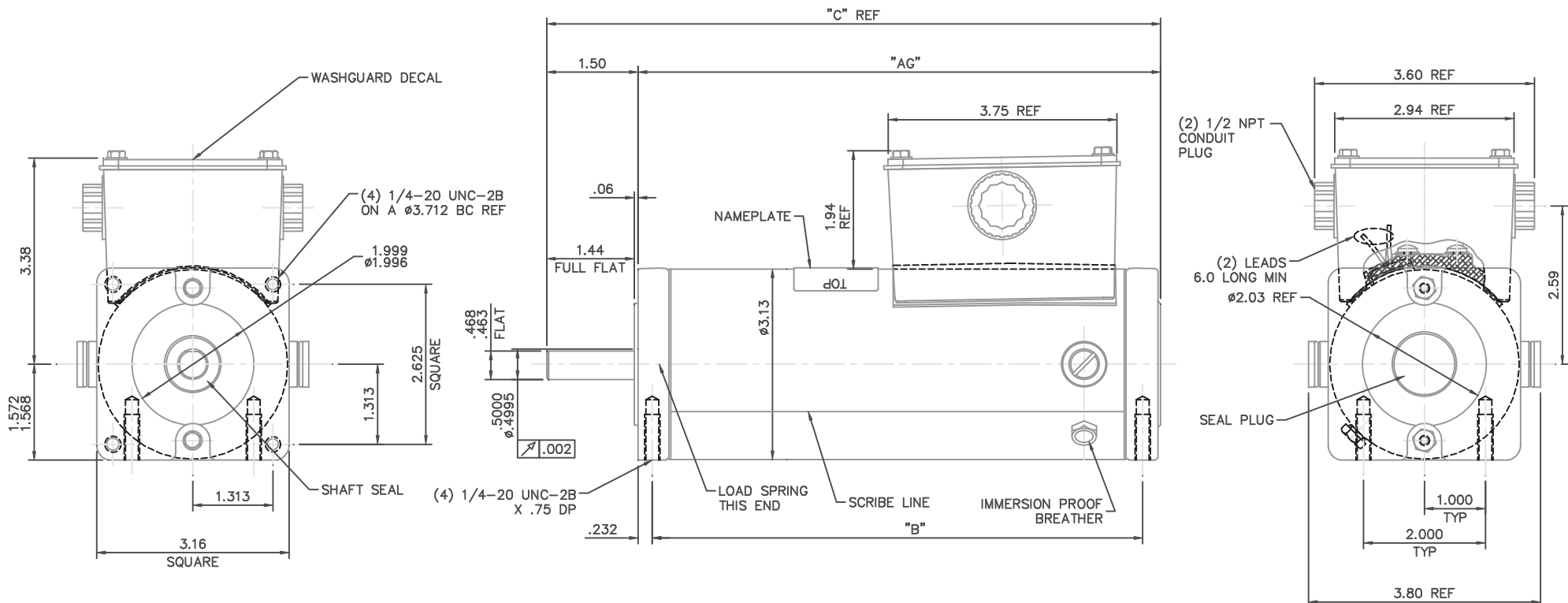
Nameplate Specifications

Output HP	0.13 Hp	Output KW	0.10 kW
Voltage	90 V	Current	1.5 A
Speed	1750 rpm	Service Factor	1
Efficiency	72.8 %	Duty	Continuous
Insulation Class	F	Frame	31
Enclosure	IP55	Overload Protector	No
Ambient Temperature	40 °C	Drive End Bearing Size	6201-13
Opp Drive End Bearing Size	6201-13	UL	Recognized
CSA	Y	CE	N

Technical Specifications

Rotation	Reversible	Mounting	Round
Overall Length	8.57 in	Frame Length	5.94 in
Shaft Diameter	0.500 in	Shaft Extension	1.5 in
Outline Drawing	M1030965-M1120181	Connection Diagram	M100530501

This is an uncontrolled document once printed or downloaded and is subject to change without notice. Date Created: 10/15/2018

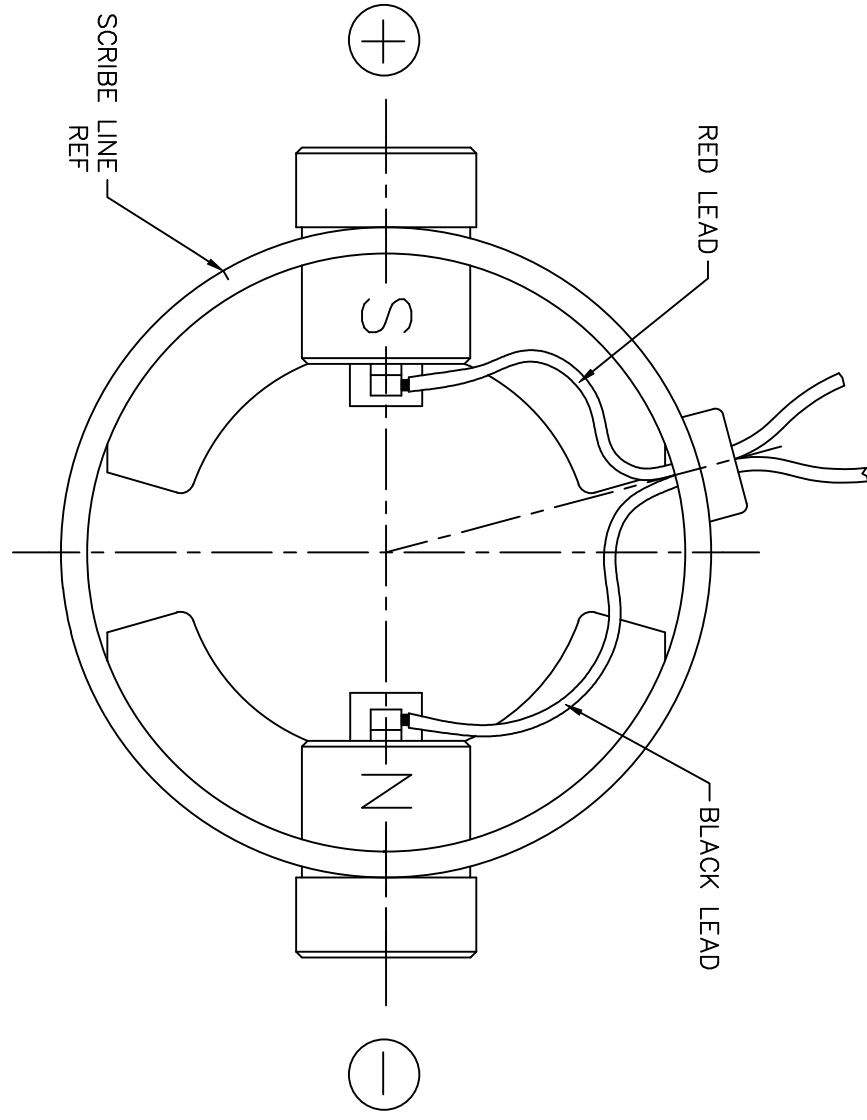


- NOTES:
 1) END CAP MOUNTING FEET TO BE PARALLEL TO EACH OTHER WITHIN .002.
 2) GASKETS BETWEEN FRAME AND ENDBELLS, CONDUIT BOX AND FRAME, AND CONDUIT BOX COVER AND CONDUIT BOX.


M1120181.00	7.07	6.55	8.57	90	1/8	1750
M1120183.00	8.57	8.05	10.07	90	1/6	1750
CATALOG NO.	"AG" DIM	"B" DIM	"C" DIM	VOLT	H.P.	RPM

		TOLERANCES UNLESS SPECIFIED		LEESON		ELECTRIC MOTORS GEARMOTORS AND DRIVES		DRAWN IPG 3/31/05	
03	1/2 NPT CONDUIT PLUG QTY. WAS 3. ISAAC 08-3457	RPB	7/29/08	BC	DEC.	INCHES		CHK	SAD 3/31/05
02	FOR M1120183.00: "AG" WAS 8.32, "B" WAS 7.80, "C" WAS 9.82, ADDED LEAD LENGTH INFO, ECR B6549	IPG	4/12/05	SAD	.X	±.1		APPD	
01	ADDED TABLE AND CAT. M1120181.00, ADDED NOTES	IPG	4/1/05	SAD	.XX	±.03		SCALE	5=8
00	RELEASED: SAME AS PRO40115-RD1	IPG	3/31/05	SAD	.XXX	±.005		TITLE	OUTLINE 31 FRAME DC
NO.	REVISION	BY & DATE		CHK	ANG	±1/2"		REF	PR040115-RD1
THIS DRAWING IN DESIGN AND DETAIL IS OUR PROPERTY AND MUST NOT BE USED EXCEPT IN CONNECTION WITH OUR WORK ALL RIGHTS OF DESIGN AND INVENTION ARE RESERVED THIS IS AN ELECTRONICALLY GENERATED DOCUMENT - DO NOT SCALE THIS PRINT				RFP		FINISH		FMF	M1120183.00
				DIST		CAD FILE	M1030965	PREV	
				SIZE	B	DRAWING NO.	M1030965.00	REV.	03

DC MOTORS



EXTERNAL CONNECTIONS FOR CCW ROTATION VIEWING
 LEAD END OF MOTOR WITH RED LEAD POSITIVE (+)
 AND BLACK LEAD NEGATIVE (-) FOR CW ROTATION
 REVERSE POLARITY

				TOLERANCES UNLESS SPECIFIED		 ELECTRIC MOTORS GEARMOTORS AND DRIVES	DRAWN IPG 3/23/05 CHK SAD 3/23/05 APPD
				DEC.	INCHES		SCALE 1=1
				.X	±.1		REF PR040115-RD1
				.XX	±.01		FMF M1120183.00
				.XXX	±.005		PREV
00	RELEASED: SAME AS PR040115-RD1	IPG 3/23/05	SAD	.XXXX	±.0005	MAT'L. SEE ABOVE	
NO.	REVISION	BY & DATE	CHK	ANG	±1/2°	FINISH	
THIS DRAWING IN DESIGN AND DETAIL IS OUR PROPERTY AND MUST NOT BE USED EXCEPT IN CONNECTION WITH OUR WORK ALL RIGHTS OF DESIGN AND INVENTION ARE RESERVED THIS IS AN ELECTRONICALLY GENERATED DOCUMENT - DO NOT SCALE THIS PRINT			RFP	CAD FILE M100530501		SIZE A	DRAWING NO. M1005305.01
			DIST				REV. 00

ERROR: undefined
OFFENDING COMMAND: s
STACK :