

# PRODUCT INFORMATION PACKET



Model No: CM31D17NZ26D

Catalog No: M1120046.00

..1/6HP-1/3HP..1800RPM - 3900RPM.31.TENV.12V - 24V...CONT.40C.1.0SF.SQ.  
FLANGE.CM31D17NZ26D.....DC SUB-FHP LOW VOLTAGE.....

Sub-Fractional



Regal and Leeson are trademarks of Regal Beloit Corporation or one of its affiliated companies.

©2018 Regal Beloit Corporation, All Rights Reserved. MC017097E



**Product Information Packet: Model No: CM31D17NZ26D, Catalog No:M1120046.00 ..1/6HP-1/3HP..1800RPM - 3900RPM.31.TENV.12V - 24V...CONT.40C.1.0SF.SQ. FLANGE.CM31D17NZ26D.....DC SUB-FHP LOW VOLTAGE.....**



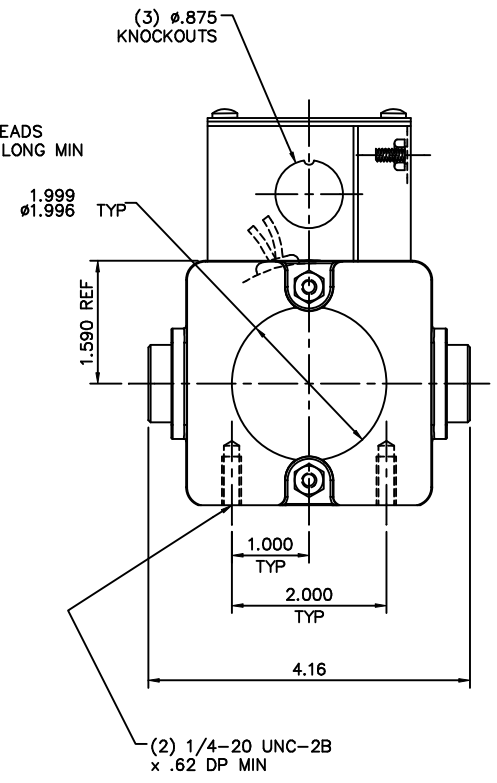
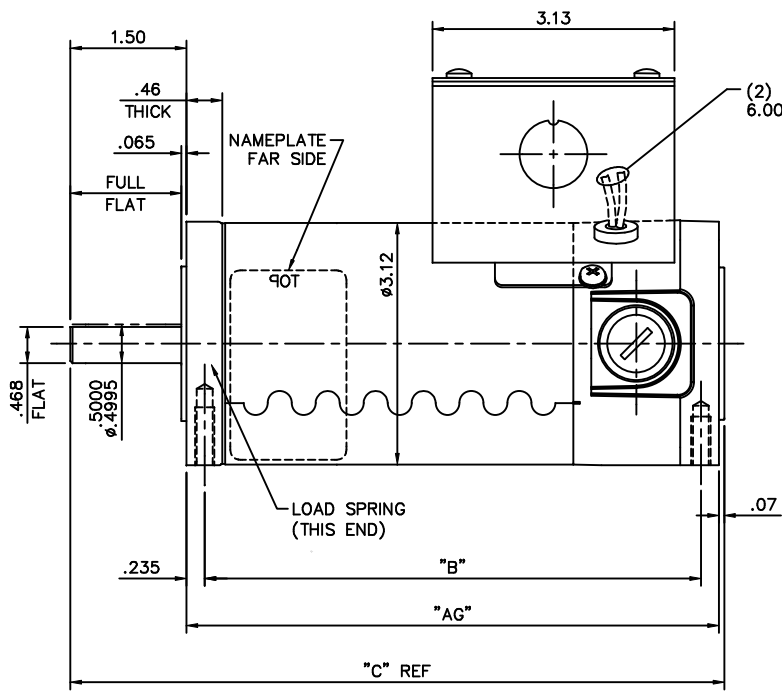
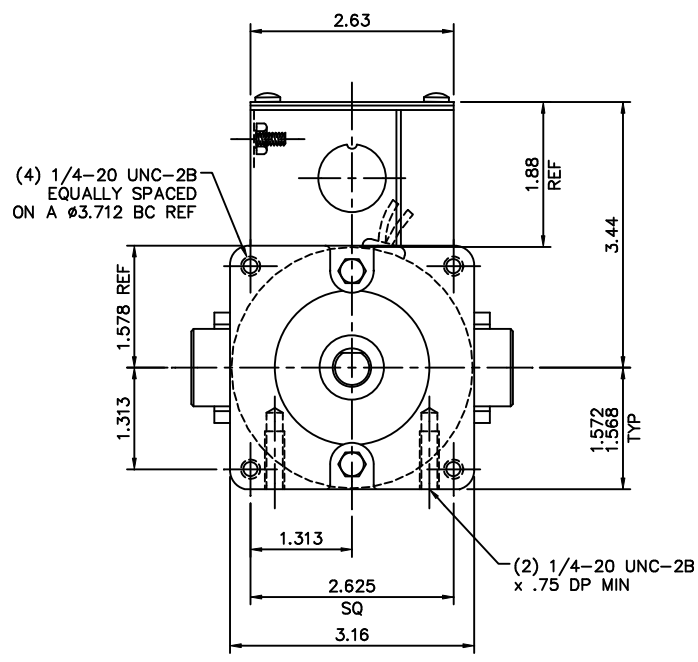
**Nameplate Specifications**

Output HP	<b>0.17-0.33 Hp</b>	Output KW	<b>0.13-0.25 kW</b>
Voltage	<b>12-24 V</b>	Current	<b>14.0 A</b>
Speed	<b>1800-3900 rpm</b>	Service Factor	<b>1</b>
Efficiency	<b>72.8 %</b>	Duty	<b>Continuous</b>
Insulation Class	<b>F</b>	Frame	<b>31</b>
Enclosure	<b>Totally Enclosed Non Ventilated</b>	Overload Protector	<b>No</b>
Ambient Temperature	<b>40 °C</b>	Drive End Bearing Size	<b>6201-13</b>
Opp Drive End Bearing Size	<b>6201-13</b>	UL	<b>Recognized</b>
CSA	<b>Y</b>	CE	<b>Y</b>

**Technical Specifications**

Rotation	<b>Reversible</b>	Mounting	<b>Round</b>
Overall Length	<b>9.45 in</b>	Frame Length	<b>5.50 in</b>
Shaft Diameter	<b>0.500 in</b>	Shaft Extension	<b>1.5 in</b>
Outline Drawing	<b>M1031040-M1120046</b>	Connection Diagram	<b>M1005326</b>

**This is an uncontrolled document once printed or downloaded and is subject to change without notice. Date Created: 10/15/2018**

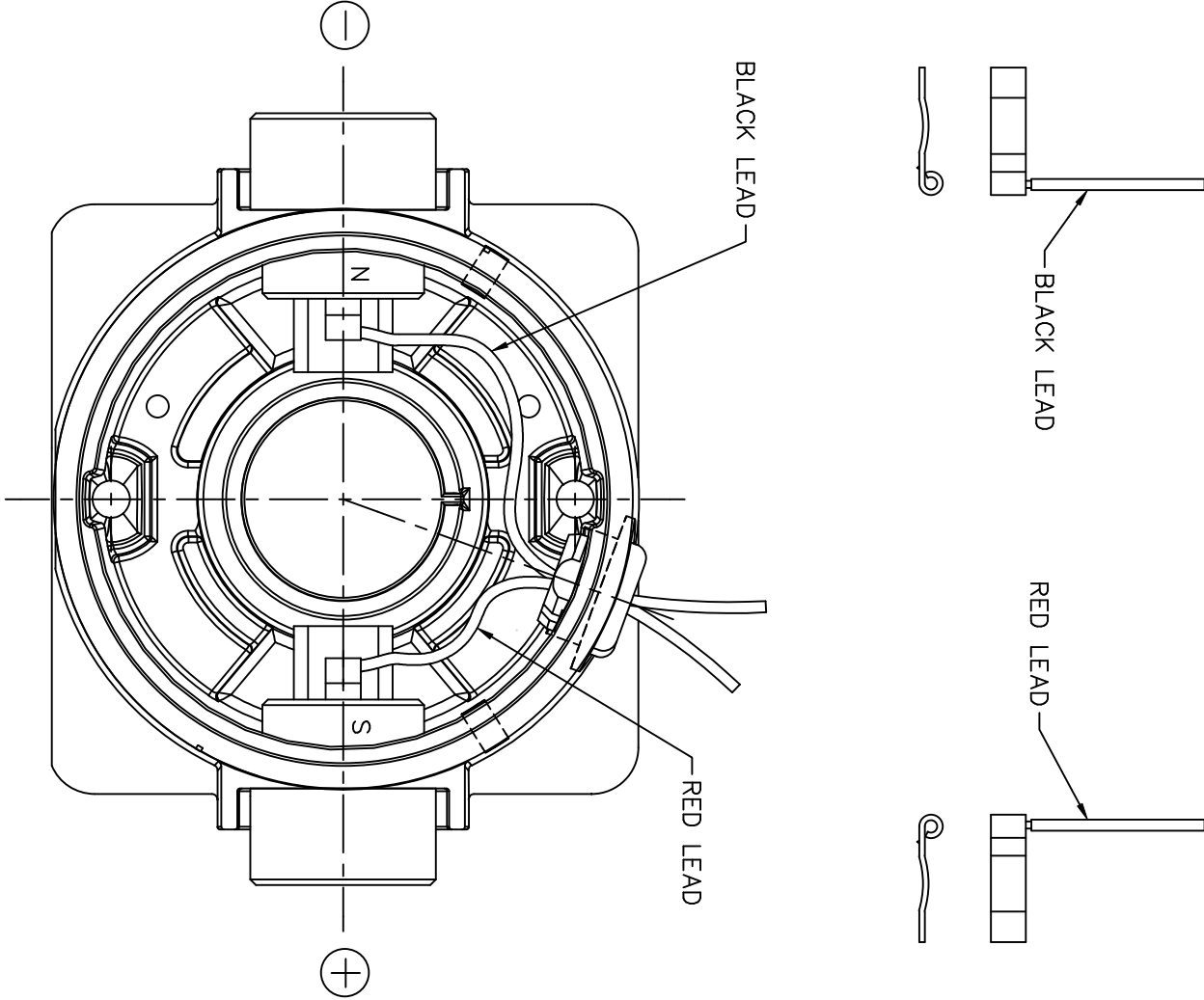


NOTES:  
 1) END CAP MOUNTING FEET TO BE PARALLEL TO EACH OTHER WITHIN .002


M1120046.00	7.88	7.42	9.45	12-24	1/6-1/3	1800-3900
M1120044.00	7.38	6.92	8.95	12-24	1/7-1/4	1750-3500
CATALOG NO.	"AG" DIM	"B" DIM	"C" DIM	VOLT	H.P.	RPM

		TOLERANCES UNLESS SPECIFIED		<b>LEESON</b> ELECTRIC MOTORS GEARMOTORS AND DRIVES		DRAWN IPG 12/13/06
02	ADDED M1120046.00 TO TABLE, ECN 07-1634	IPG	5/17/07	SAD	DEC. INCHES	CHK SAD 12/13/06
01	CORRECTED HP & RPM VALUES TO MATCH FRONT PAGE, PER SALES REQUEST	IPG	1/30/07	SAD	.X ±.1	APPD
00	RELEASED: REF. M1031034.00, 31 TT FR CONSOLIDATION, ECN 06-4435	IPG	12/13/06	SAD	.XX ±.03 .XXX ±.005 .XXXX ±.0005	SCALE 5=8 REF M1031034.00 FMF M1120044.00
NO.	REVISION	BY & DATE	CHK	ANG	±1/2"	PREV
THIS DRAWING IN DESIGN AND DETAIL IS OUR PROPERTY AND MUST NOT BE USED EXCEPT IN CONNECTION WITH OUR WORK ALL RIGHTS OF DESIGN AND INVENTION ARE RESERVED THIS IS AN ELECTRONICALLY GENERATED DOCUMENT - DO NOT SCALE THIS PRINT				RFP	CAD FILE	M1031040
				SIZE	DRAWING NO. B M1031040.00	
				DIST	REV. 02	

D.C. MOTORS



EXTERNAL CONNECTIONS FOR CCW ROTATION  
VIEWING LEAD END OF MOTOR WITH RED LEAD  
POSITIVE (+) AND BLACK LEAD NEGATIVE (-).  
FOR CW ROTATION REVERSE POLARITY.

				TOLERANCES UNLESS SPECIFIED		 ELECTRIC MOTORS GEARMOTORS AND DRIVES	DRAWN IPG 12/13/06 CHK SAD 12/13/06 APPD SCALE 1=1 REF M1005321.01 FMF M1120044.00 PREV	
				DEC.	INCHES		TITLE CONNECTION DIAGRAM MAT'L. FINISH	
				.X	±.1			
				.XX	±.01			
				.XXX	±.005			
00	RELEASED PER 31 TT FR CONSOLIDATION, ECN 06-4435	IPG 12/13/06	SAD	.XXXX	±.0005			
NO.	REVISION	BY & DATE	CHK	ANG	±1/2"			
THIS DRAWING IN DESIGN AND DETAIL IS OUR PROPERTY AND MUST NOT BE USED EXCEPT IN CONNECTION WITH OUR WORK ALL RIGHTS OF DESIGN AND INVENTION ARE RESERVED THIS IS AN ELECTRONICALLY GENERATED DOCUMENT - DO NOT SCALE THIS PRINT			RFP	CAD FILE M1005326		SIZE	DRAWING NO.	
			DIST			A	M1005326.01	
							REV.	00