

# PRODUCT INFORMATION PACKET



Model No: CM31D17NZ10D

Catalog No: M1120044.00

..1/7 - 1/4HP..1750RPM - 3500RPM.31.TENV.12V - 24V...CONT.40C.1.0SF.SQ.  
FLANGE.CM31D17NZ10D.....DC SUB-FHP LOW VOLTAGE.....

Sub-Fractional



Regal and Leeson are trademarks of Regal Beloit Corporation or one of its affiliated companies.

©2018 Regal Beloit Corporation, All Rights Reserved. MC017097E



**Product Information Packet: Model No: CM31D17NZ10D, Catalog No:M1120044.00 ..1/7 - 1/4HP..1750RPM - 3500RPM.31.TENV.12V - 24V...CONT.40C.1.0SF.SQ. FLANGE.CM31D17NZ10D.....DC SUB-FHP LOW VOLTAGE.....**



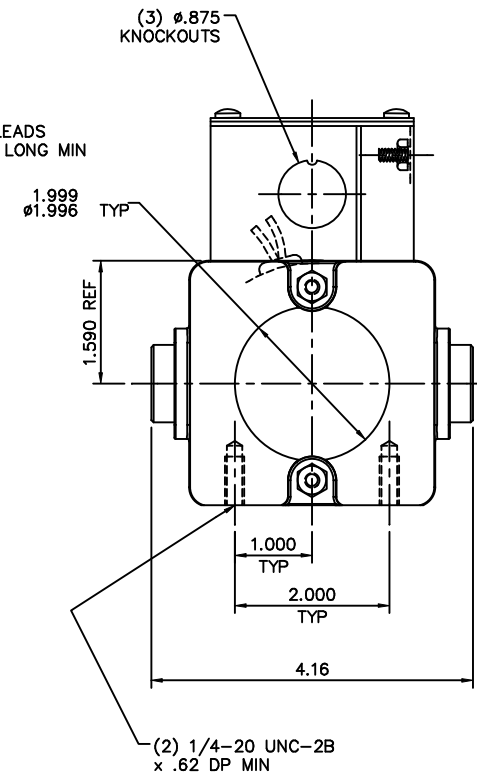
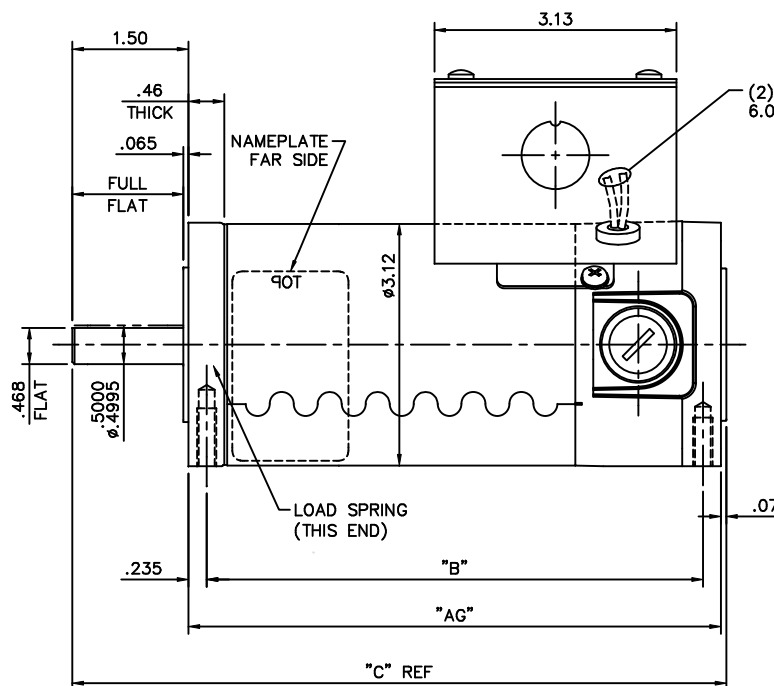
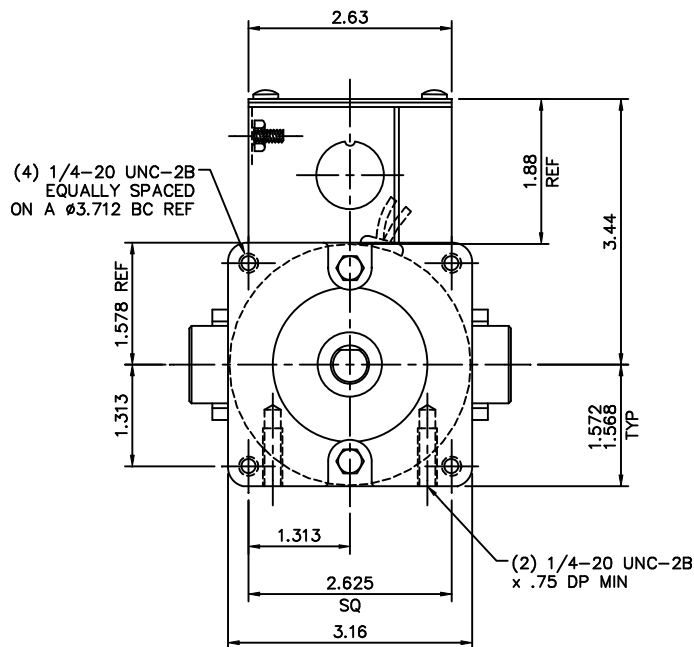
**Nameplate Specifications**

Output HP	<b>0.14-0.25 Hp</b>	Output KW	<b>0.1-0.19 kW</b>
Voltage	<b>12-24 V</b>	Current	<b>13.0 A</b>
Speed	<b>1750-3500 rpm</b>	Service Factor	<b>1</b>
Efficiency	<b>71.6 %</b>	Duty	<b>Continuous</b>
Insulation Class	<b>F</b>	Frame	<b>31</b>
Enclosure	<b>Totally Enclosed Non Ventilated</b>	Overload Protector	<b>No</b>
Ambient Temperature	<b>40 °C</b>	Drive End Bearing Size	<b>6201-13</b>
Opp Drive End Bearing Size	<b>6201-13</b>	UL	<b>Recognized</b>
CSA	<b>Y</b>	CE	<b>Y</b>

**Technical Specifications**

Rotation	<b>Reversible</b>	Mounting	<b>Round</b>
Overall Length	<b>8.95 in</b>	Frame Length	<b>5.00 in</b>
Shaft Diameter	<b>0.500 in</b>	Shaft Extension	<b>1.5 in</b>
Outline Drawing	<b>M1031040-M1120044</b>	Connection Diagram	<b>M1005326</b>

**This is an uncontrolled document once printed or downloaded and is subject to change without notice. Date Created: 10/15/2018**

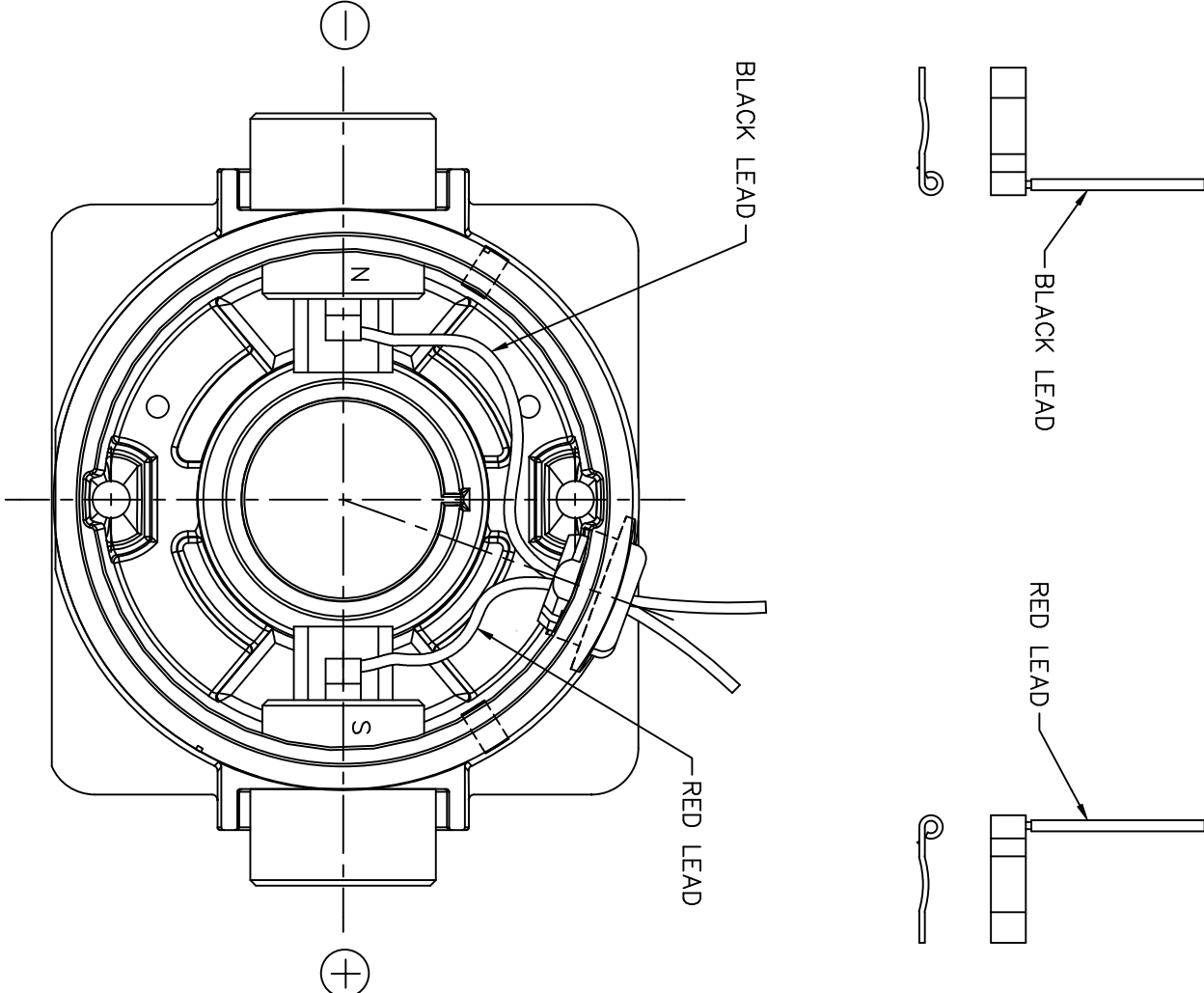


NOTES:  
 1) END CAP MOUNTING FEET TO BE PARALLEL TO EACH OTHER WITHIN .002


M1120046.00	7.88	7.42	9.45	12-24	1/6-1/3	1800-3900
M1120044.00	7.38	6.92	8.95	12-24	1/7-1/4	1750-3500
CATALOG NO.	"AG" DIM	"B" DIM	"C" DIM	VOLT	H.P.	RPM

				TOLERANCES UNLESS SPECIFIED		<b>LEESON</b>	ELECTRIC MOTORS GEARMOTORS AND DRIVES	DRAWN	IPG 12/13/06
02	ADDED M1120046.00 TO TABLE, ECN 07-1634	IPG	5/17/07	SAD	DEC.			INCHES	CHK
01	CORRECTED HP & RPM VALUES TO MATCH FRONT PAGE, PER SALES REQUEST	IPG	1/30/07	SAD	.X	±.1	APPD		
00	RELEASED: REF. M1031034.00, 31 TT FR CONSOLIDATION, ECN 06-4435	IPG	12/13/06	SAD	.XX	±.03	TITLE	SCALE	5=8
REVISION		BY & DATE		CHK	ANG	±1/2"	MAT'L	REF	M1031034.00
THIS DRAWING IN DESIGN AND DETAIL IS OUR PROPERTY AND MUST NOT BE USED EXCEPT IN CONNECTION WITH OUR WORK ALL RIGHTS OF DESIGN AND INVENTION ARE RESERVED THIS IS AN ELECTRONICALLY GENERATED DOCUMENT - DO NOT SCALE THIS PRINT		RFP		CAD FILE	M1031040	FINISH	PREV	FMF	M1120044.00
				DIST			SIZE	DRAWING NO.	REV.
							B	M1031040.00	02

D.C. MOTORS



EXTERNAL CONNECTIONS FOR CCW ROTATION  
VIEWING LEAD END OF MOTOR WITH RED LEAD  
POSITIVE (+) AND BLACK LEAD NEGATIVE (-).  
FOR CW ROTATION REVERSE POLARITY.

				TOLERANCES UNLESS SPECIFIED		 ELECTRIC MOTORS GEARMOTORS AND DRIVES	DRAWN IPG 12/13/06 CHK SAD 12/13/06 APPD
				DEC.	INCHES		SCALE 1=1
				.X	±.1		REF M1005321.01
				.XX	±.01		FMF M1120044.00
				.XXX	±.005		PREV
00	RELEASED PER 31 TT FR CONSOLIDATION, ECN 06-4435	IPG 12/13/06	SAD	.XXXX	±.0005	MAT'L.	
NO.	REVISION	BY & DATE	CHK	ANG	±1/2"	FINISH	
THIS DRAWING IN DESIGN AND DETAIL IS OUR PROPERTY AND MUST NOT BE USED EXCEPT IN CONNECTION WITH OUR WORK ALL RIGHTS OF DESIGN AND INVENTION ARE RESERVED THIS IS AN ELECTRONICALLY GENERATED DOCUMENT - DO NOT SCALE THIS PRINT			RFP	CAD FILE M1005326		SIZE A	DRAWING NO. M1005326.01
			DIST				REV. 00