

# PRODUCT INFORMATION PACKET



Model No: 985.606D  
Catalog No: M1115028.00  
...35:1.51RPM.55LBIN.1/20HP.30...DC GEARMOTORS SUB-FHP.90V..TENV.985.606D  
P300 Series



Regal and Leeson are trademarks of Regal Beloit Corporation or one of its affiliated companies.  
©2018 Regal Beloit Corporation, All Rights Reserved. MC017097E





### Nameplate Specifications

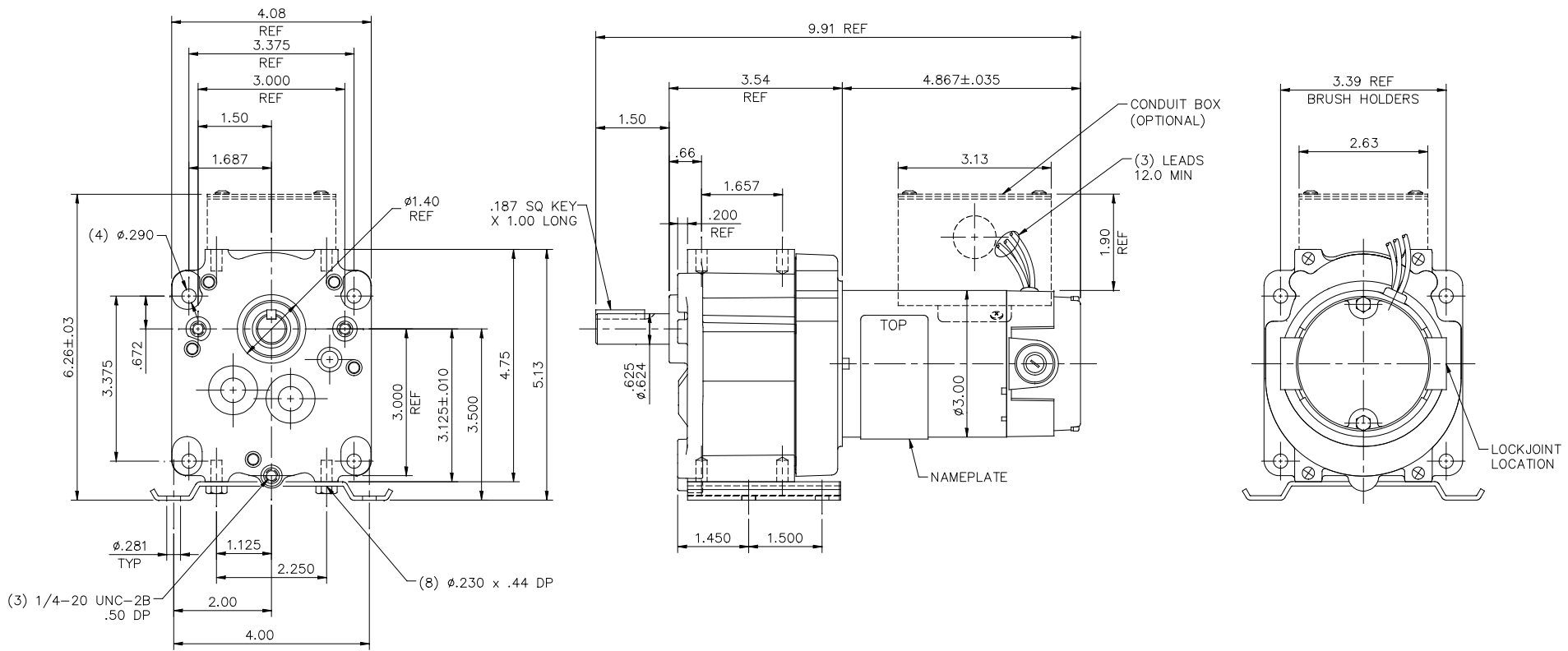
Output HP	<b>0.05 Hp</b>	Output KW	<b>0.04 kW</b>
Voltage	<b>90 V</b>	Current	<b>0.56 A</b>
Speed	<b>51 rpm</b>	Service Factor	<b>1</b>
Efficiency	<b>48.6 %</b>	Duty	<b>Continuous</b>
Insulation Class	<b>F</b>	Frame	<b>30</b>
Enclosure	<b>Totally Enclosed Non Ventilated</b>	Overload Protector	<b>No</b>
Ambient Temperature	<b>40 °C</b>	Drive End Bearing Size	<b>2034</b>
Opp Drive End Bearing Size	<b>2034</b>	UL	<b>Recognized</b>
CSA	<b>Y</b>	CE	<b>Y</b>

### Technical Specifications

Rotation	<b>Reversible</b>	Mounting	<b>Special</b>
Shaft Type	<b>Parallel</b>	Overall Length	<b>9.91 in</b>
Frame Length	<b>3.36 in</b>	Shaft Diameter	<b>0.625 in</b>
Shaft Extension	<b>1.5 in</b>		
Outline Drawing	<b>M1030964-M1115028</b>	Connection Diagram	<b>M100530201</b>

**This is an uncontrolled document once printed or downloaded and is subject to change without notice. Date Created: 10/15/2018**

M1030964

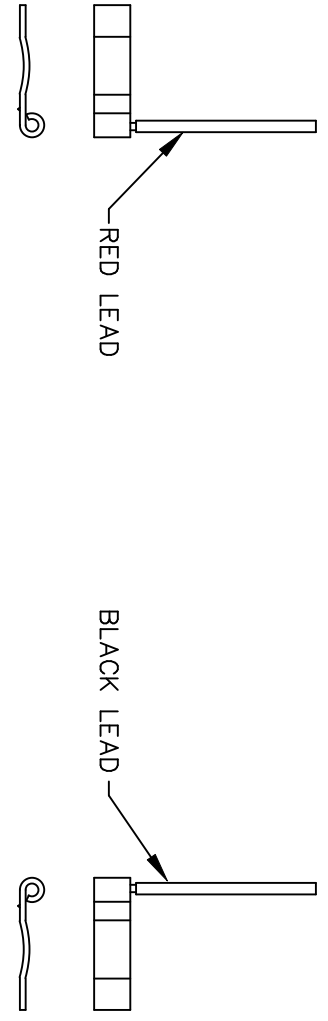
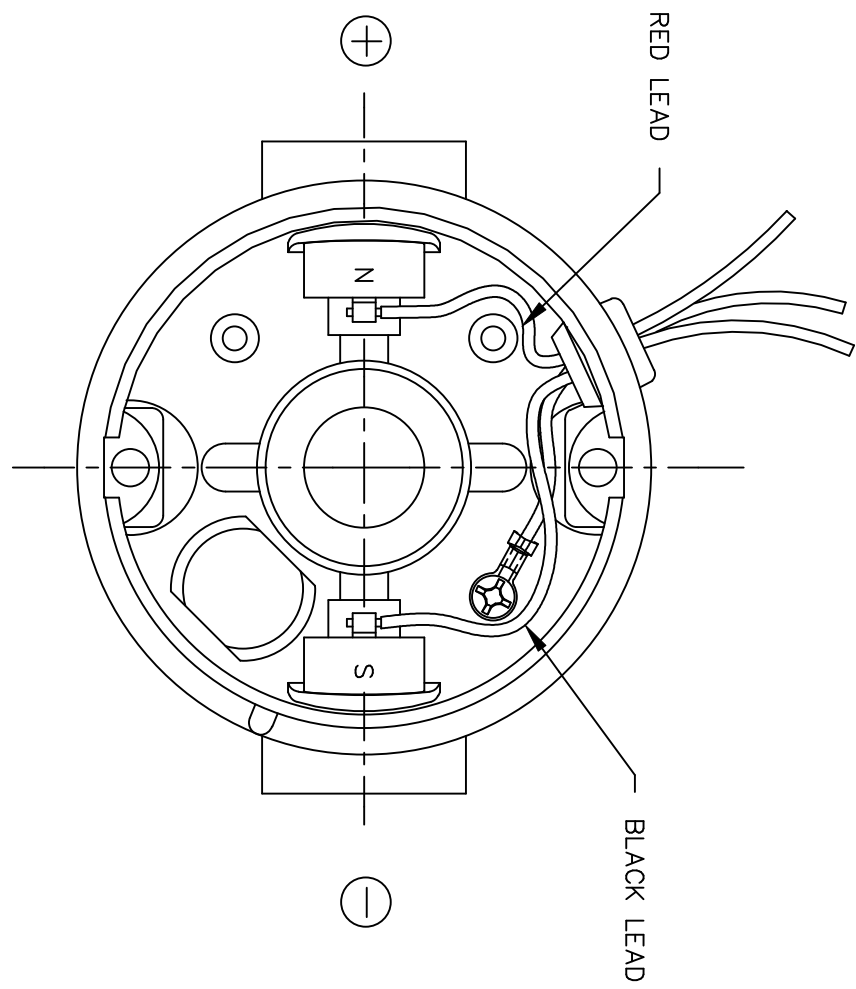


CATALOG No.	VOLTS	HP	RATIO	TORQUE IN-LB	RPM
M1115024.00	90	1/20	336:1	353	5
M1115025.00	90	1/20	216:1	268	9
M1115026.00	90	1/20	103:1	150	18
M1115027.00	90	1/20	52:1	82	34
M1115028.00	90	1/20	35:1	55	51
M1115029.00	90	1/20	16:1	27	109
M1125092.00	180	1/20	91:1	140	20
M1125093.00	180	1/20	29:1	45	60
M1125094.00	180	1/20	17:1	26	106


ITEM No.	ITEM REV
-00	002

		TOLERANCES UNLESS SPECIFIED		LEESON		ELECTRIC MOTORS GEARMOTORS AND DRIVES		DRAWN RWS 3/28/05	
		DEC.	INCHES					CHK RPB 3/28/05	
E	UPDATED 1.40 HUB DIM TO MATCH GBOX, ECO-0128172	IPG	7/26/17	.X	±.1	TITLE		APPD	SCALE 1=2
02	ADDED CAT. #'S M1125092.00, M1125093.00 AND	IPG	9/29/06	SAD	.XX ±.03	30 FRAME DC - P300 GEARBOX		REF	M1030939
	M1125094.00 TO TABLE, ECN 06-3810				.XXX ±.005			FMF	M1125025.00
01	CHGD 11.45 REF TO 9.41 REF, ECR 84115	VS	5/27/05	BC	.XXXX ±.0005	MAT'L.		PREV	
NO.	REVISION	BY & DATE	CHK	ANG	±1/2"	FINISH			
	THIS DRAWING IN DESIGN AND DETAIL IS OUR PROPERTY AND MUST NOT BE USED EXCEPT IN CONNECTION WITH OUR WORK ALL RIGHTS OF DESIGN AND INVENTION ARE RESERVED THIS IS AN ELECTRONICALLY GENERATED DOCUMENT - DO NOT SCALE THIS PRINT			RFP		CAD FILE	M1030964	SIZE	DRAWING NO.
			DIST					B	M1030964
									REV. E

D.C. MOTORS



EXTERNAL CONNECTIONS FOR CW ROTATION  
 VIEWING LEAD END OF MOTOR WITH RED LEAD  
 POSITIVE (+) AND BLACK LEAD NEGATIVE (-)  
 FOR CCW ROTATION REVERSE POLARITY

				TOLERANCES UNLESS SPECIFIED		 ELECTRIC MOTORS GEARMOTORS AND DRIVES	DRAWN RWS 3/15/05 CHK RPB 3/15/05 APPD
				DEC.	INCHES		SCALE 1=1
				.X	±.1		REF 901.706
				.XX	±.01		FMF
				.XXX	±.005		PREV
00	RELEASED COMM CONVERSION PROJECT	RWS 4/13/05	RPB	.XXXX	±.0005	MAT'L.	
NO.	REVISION	BY & DATE	CHK	ANG	±1/2"	FINISH	
THIS DRAWING IN DESIGN AND DETAIL IS OUR PROPERTY AND MUST NOT BE USED EXCEPT IN CONNECTION WITH OUR WORK ALL RIGHTS OF DESIGN AND INVENTION ARE RESERVED THIS IS AN ELECTRONICALLY GENERATED DOCUMENT - DO NOT SCALE THIS PRINT				RFP	CAD FILE	M100530201	SIZE A
				DIST	DRAWING NO. M1005302.01		REV. 00