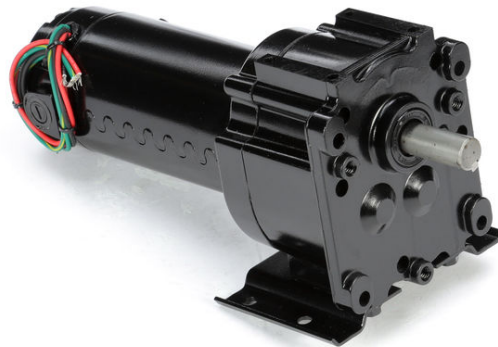


# PRODUCT INFORMATION PACKET



Model No: 985.605D  
Catalog No: M1115027.00  
...52:1.34RPM.82LBIN.1/20HP.30...DC GEARMOTORS SUB-FHP.90V..TENV.985.605D  
P300 Series



Regal and Leeson are trademarks of Regal Beloit Corporation or one of its affiliated companies.  
©2018 Regal Beloit Corporation, All Rights Reserved. MC017097E





### Nameplate Specifications

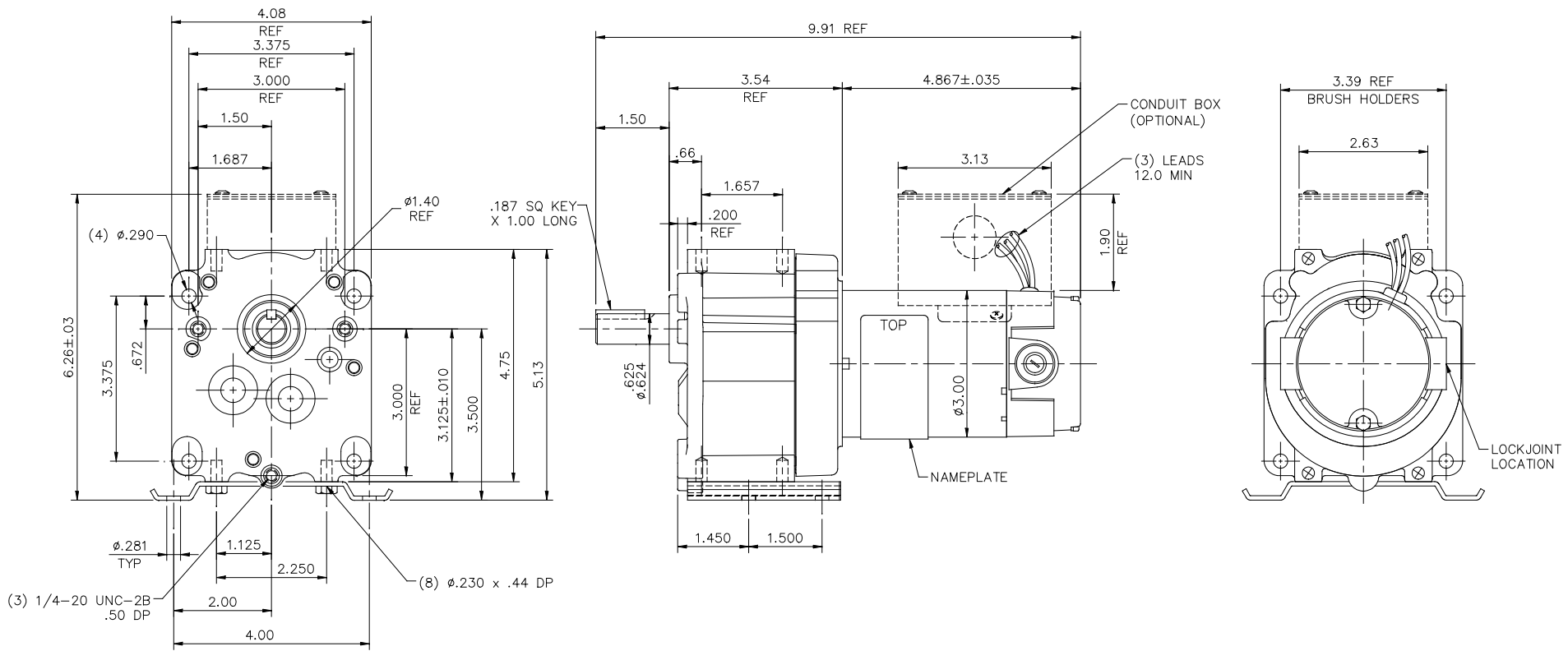
Output HP	0.05 Hp	Output KW	0.04 kW
Voltage	90 V	Current	0.56 A
Speed	34 rpm	Service Factor	1
Efficiency	48.2 %	Duty	Continuous
Insulation Class	F	Frame	30
Enclosure	Totally Enclosed Non Ventilated	Overload Protector	No
Ambient Temperature	40 °C	Drive End Bearing Size	2031
Opp Drive End Bearing Size	2031	UL	Recognized
CSA	Y	CE	Y

### Technical Specifications

Rotation	Reversible	Mounting	Special
Shaft Type	Parallel	Overall Length	9.91 in
Frame Length	3.36 in	Shaft Diameter	0.625 in
Shaft Extension	1.5 in		
Outline Drawing	M1030964-M1115027	Connection Diagram	M100530201

This is an uncontrolled document once printed or downloaded and is subject to change without notice. Date Created: 10/15/2018

M1030964



CATALOG No.	VOLTS	HP	RATIO	TORQUE IN-LB	RPM
M1115024.00	90	1/20	336:1	353	5
M1115025.00	90	1/20	216:1	268	9
M1115026.00	90	1/20	103:1	150	18
M1115027.00	90	1/20	52:1	82	34
M1115028.00	90	1/20	35:1	55	51
M1115029.00	90	1/20	16:1	27	109
M1125092.00	180	1/20	91:1	140	20
M1125093.00	180	1/20	29:1	45	60
M1125094.00	180	1/20	17:1	26	106

ITEM No.		ITEM REV	
-00	002		

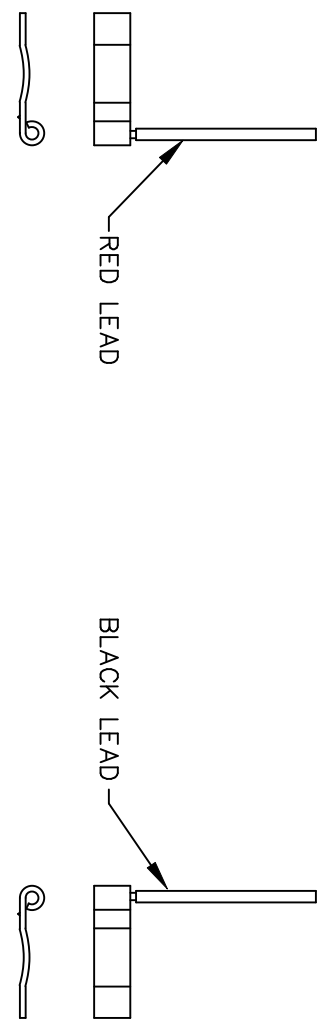
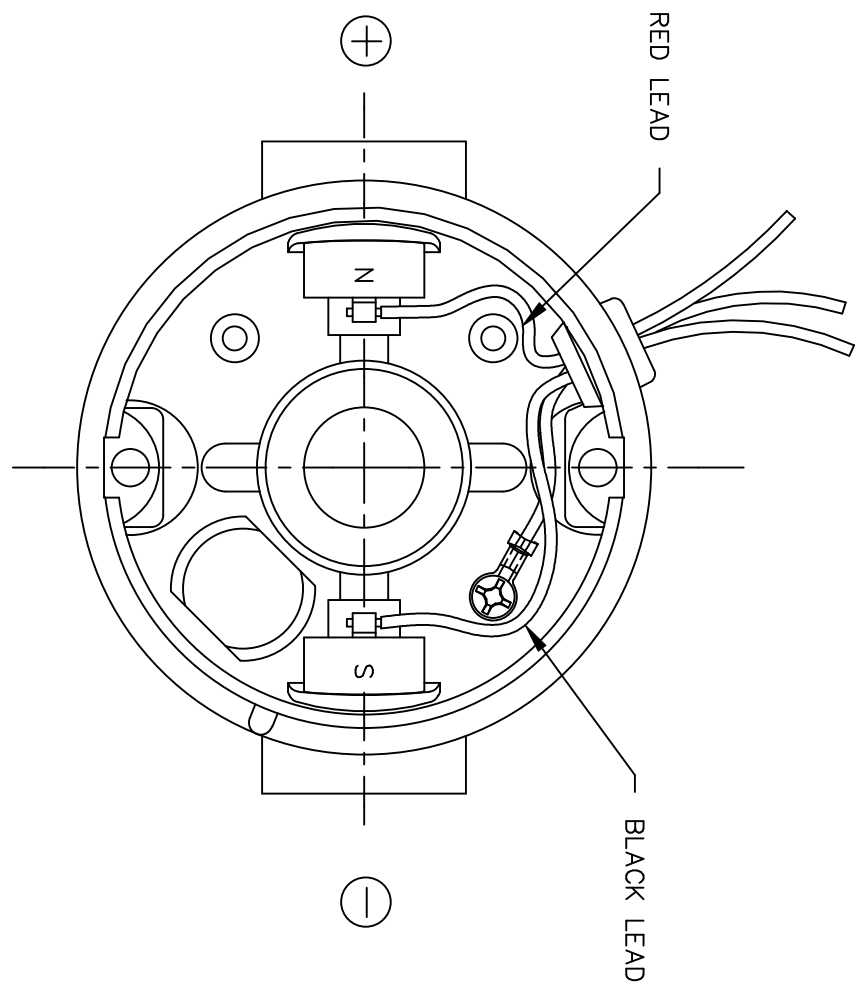
  

TOLERANCES UNLESS SPECIFIED		DEC.		INCHES	
E	UPDATED 1.40 HUB DIM TO MATCH GBOX, ECO-0128172	IPG	7/26/17	.X	±.1
02	ADDED CAT. #'S M1125092.00, M1125093.00 AND	IPG	9/29/06	SAD .XX	±.03
	M1125094.00 TO TABLE, ECN 06-3810			.XXX	±.005
01	CHGD 11.45 REF TO 9.41 REF, ECR 84115	VS	5/27/05	BC .XXX	±.0005
NO.	REVISION	BY & DATE	CHK	ANG	±1/2"


  

		ELECTRIC MOTORS GEARMOTORS AND DRIVES		DRAWN RWS 3/28/05 CHK RPB 3/28/05
TITLE 30 FRAME DC - P300 GEARBOX				APPD SCALE 1=2 REF M1030939
FINISH MAT'L.				FMF M1125025.00 PREV
CAD FILE M1030964			SIZE B	DRAWING NO. M1030964
THIS DRAWING IN DESIGN AND DETAIL IS OUR PROPERTY AND MUST NOT BE USED EXCEPT IN CONNECTION WITH OUR WORK ALL RIGHTS OF DESIGN AND INVENTION ARE RESERVED THIS IS AN ELECTRONICALLY GENERATED DOCUMENT - DO NOT SCALE THIS PRINT			RFP DIST	REV. E

D.C. MOTORS



EXTERNAL CONNECTIONS FOR CW ROTATION  
 VIEWING LEAD END OF MOTOR WITH RED LEAD  
 POSITIVE (+) AND BLACK LEAD NEGATIVE (-)  
 FOR CCW ROTATION REVERSE POLARITY

				TOLERANCES UNLESS SPECIFIED		 ELECTRIC MOTORS GEARMOTORS AND DRIVES	DRAWN RWS 3/15/05 CHK RPB 3/15/05 APPD SCALE 1=1 REF 901.706 FMF PREV
				DEC.	INCHES		TITLE CONNECTION DIAGRAM MAT'L. FINISH
				.X	±.1		
				.XX	±.01		
				.XXX	±.005		
00	RELEASED COMM CONVERSION PROJECT	RWS 4/13/05	RPB	.XXXX	±.0005	CAD FILE M100530201	SIZE A DRAWING NO. M1005302.01 REV. 00
NO.	REVISION	BY & DATE	CHK	ANG	±1/2"	DIST	

THIS DRAWING IN DESIGN AND DETAIL IS OUR PROPERTY AND MUST NOT BE USED EXCEPT IN CONNECTION WITH OUR WORK ALL RIGHTS OF DESIGN AND INVENTION ARE RESERVED THIS IS AN ELECTRONICALLY GENERATED DOCUMENT - DO NOT SCALE THIS PRINT