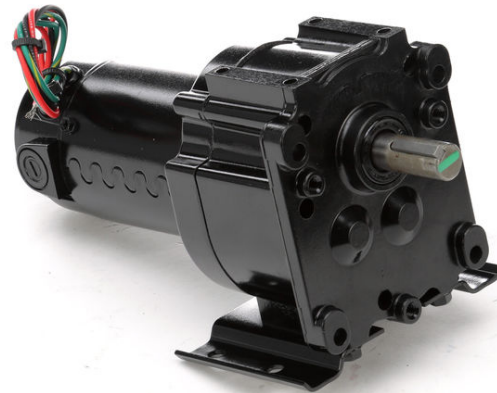


PRODUCT INFORMATION PACKET



Model No: 985.604D
Catalog No: M1115026.00
...103:1.18RPM.150LBIN.1/20HP.30...DC GEARMOTORS SUB-FHP.90V..TENV.985.604D
P300 Series



Regal and Leeson are trademarks of Regal Beloit Corporation or one of its affiliated companies.
©2018 Regal Beloit Corporation, All Rights Reserved. MC017097E





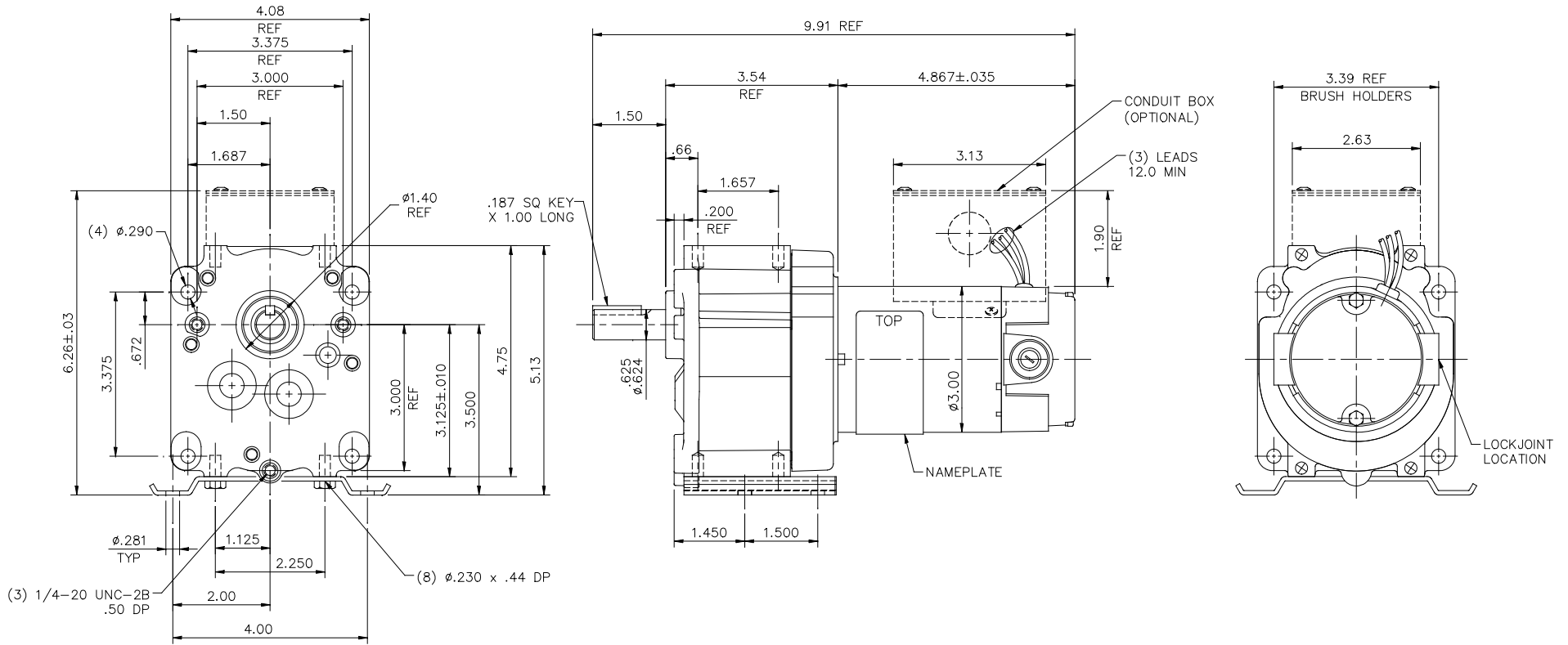
Nameplate Specifications

Output HP	0.05 Hp	Output KW	0.04 kW
Voltage	90 V	Current	0.56 A
Speed	18 rpm	Service Factor	1
Efficiency	45.5 %	Duty	Continuous
Insulation Class	F	Frame	30
Enclosure	Totally Enclosed Non Ventilated	Overload Protector	No
Ambient Temperature	40 °C	Drive End Bearing Size	2034
Opp Drive End Bearing Size	2034	UL	Recognized
CSA	Y	CE	Y

Technical Specifications

Rotation	Reversible	Mounting	Special
Shaft Type	Parallel	Overall Length	9.91 in
Frame Length	3.36 in	Shaft Diameter	0.625 in
Shaft Extension	1.5 in		
Outline Drawing	M1030964-M1115026	Connection Diagram	M100530201

This is an uncontrolled document once printed or downloaded and is subject to change without notice. Date Created: 10/15/2018

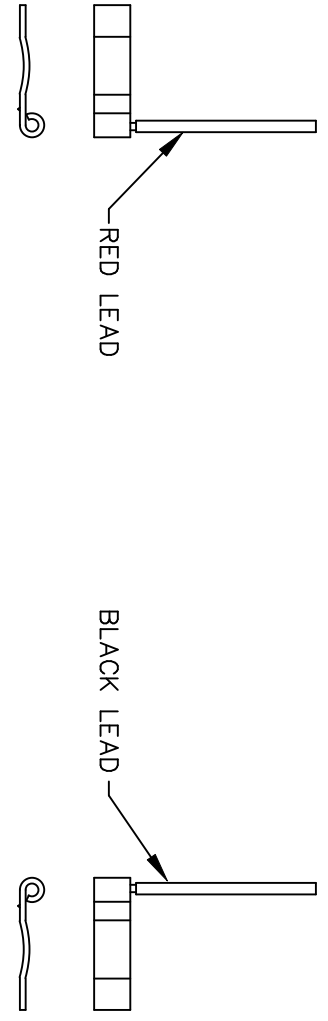
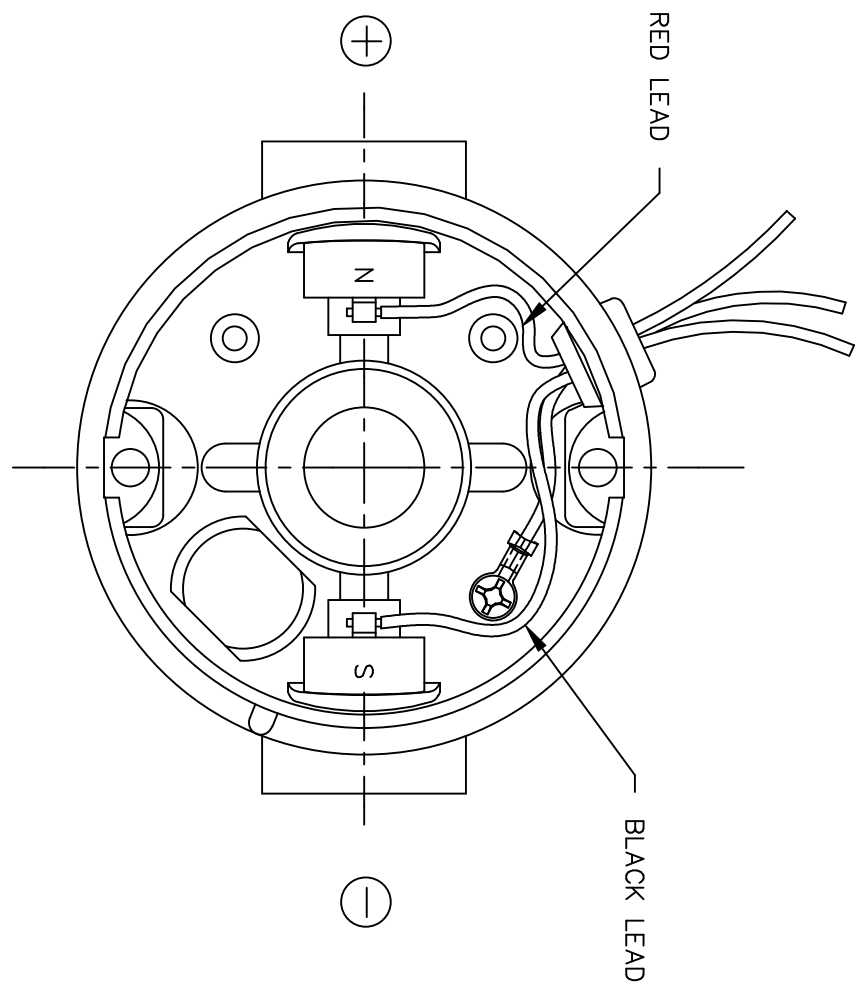


CATALOG No.	VOLTS	HP	RATIO	TORQUE IN-LB	RPM
M1115024.00	90	1/20	336:1	353	5
M1115025.00	90	1/20	216:1	268	9
M1115026.00	90	1/20	103:1	150	18
M1115027.00	90	1/20	52:1	82	34
M1115028.00	90	1/20	35:1	55	51
M1115029.00	90	1/20	16:1	27	109
M1125092.00	180	1/20	91:1	140	20
M1125093.00	180	1/20	29:1	45	60
M1125094.00	180	1/20	17:1	26	106


REVISION		BY & DATE	CHK	ANG	FINISH	PREV
E	UPDATED 1.40 HUB DIM TO MATCH GBOX, ECO-0128172	IPG 7/26/17				
02	ADDED CAT. #'S M1125092.00, M1125093.00 AND	IPG 9/29/06	SAD	.XX	$\pm .03$	
	M1125094.00 TO TABLE, ECN 06-3810			.XXX	$\pm .005$	
01	CHGD 11.45 REF TO 9.41 REF, ECR 84115	VS 5/27/05	BC	.XXX	$\pm .0005$	
NO.					$\pm 1/2'$	

TOLERANCES UNLESS SPECIFIED DEC. INCHES .X $\pm .1$.XX $\pm .03$.XXX $\pm .005$.XXXX $\pm .0005$			LEESON ELECTRIC MOTORS GEARMOTORS AND DRIVES	DRAWN RWS 3/28/05 CHK RPB 3/28/05
THIS DRAWING IN DESIGN AND DETAIL IS OUR PROPERTY AND MUST NOT BE USED EXCEPT IN CONNECTION WITH OUR WORK ALL RIGHTS OF DESIGN AND INVENTION ARE RESERVED THIS IS AN ELECTRONICALLY GENERATED DOCUMENT - DO NOT SCALE THIS PRINT				APPD SCALE 1=2 REF M1030939 FMF M1125025.00 PREV
CAD FILE M1030964		RFP DIST	SIZE B	DRAWING NO. M1030964 REV. E

D.C. MOTORS



EXTERNAL CONNECTIONS FOR CW ROTATION
 VIEWING LEAD END OF MOTOR WITH RED LEAD
 POSITIVE (+) AND BLACK LEAD NEGATIVE (-)
 FOR CCW ROTATION REVERSE POLARITY

				TOLERANCES UNLESS SPECIFIED		 ELECTRIC MOTORS GEARMOTORS AND DRIVES	DRAWN RWS 3/15/05 CHK RPB 3/15/05 APPD
				DEC.	INCHES		SCALE 1=1
				.X	±.1		REF 901.706
				.XX	±.01		FMF
				.XXX	±.005		PREV
00	RELEASED COMM CONVERSION PROJECT	RWS 4/13/05	RPB	.XXXX	±.0005	MAT'L.	
NO.	REVISION	BY & DATE	CHK	ANG	±1/2"	FINISH	
THIS DRAWING IN DESIGN AND DETAIL IS OUR PROPERTY AND MUST NOT BE USED EXCEPT IN CONNECTION WITH OUR WORK ALL RIGHTS OF DESIGN AND INVENTION ARE RESERVED THIS IS AN ELECTRONICALLY GENERATED DOCUMENT - DO NOT SCALE THIS PRINT				RFP	CAD FILE	M100530201	SIZE A
				DIST	DRAWING NO. M1005302.01		REV. 00