

PRODUCT INFORMATION PACKET



Model No: 985.603D
Catalog No: M1115025.00
...216:1.9RPM.268LBIN.1/20HP.30...DC GEARMOTORS SUB-FHP.90V..TENV.985.603D
P300 Series



Regal and Leeson are trademarks of Regal Beloit Corporation or one of its affiliated companies.
©2018 Regal Beloit Corporation, All Rights Reserved. MC017097E





Nameplate Specifications

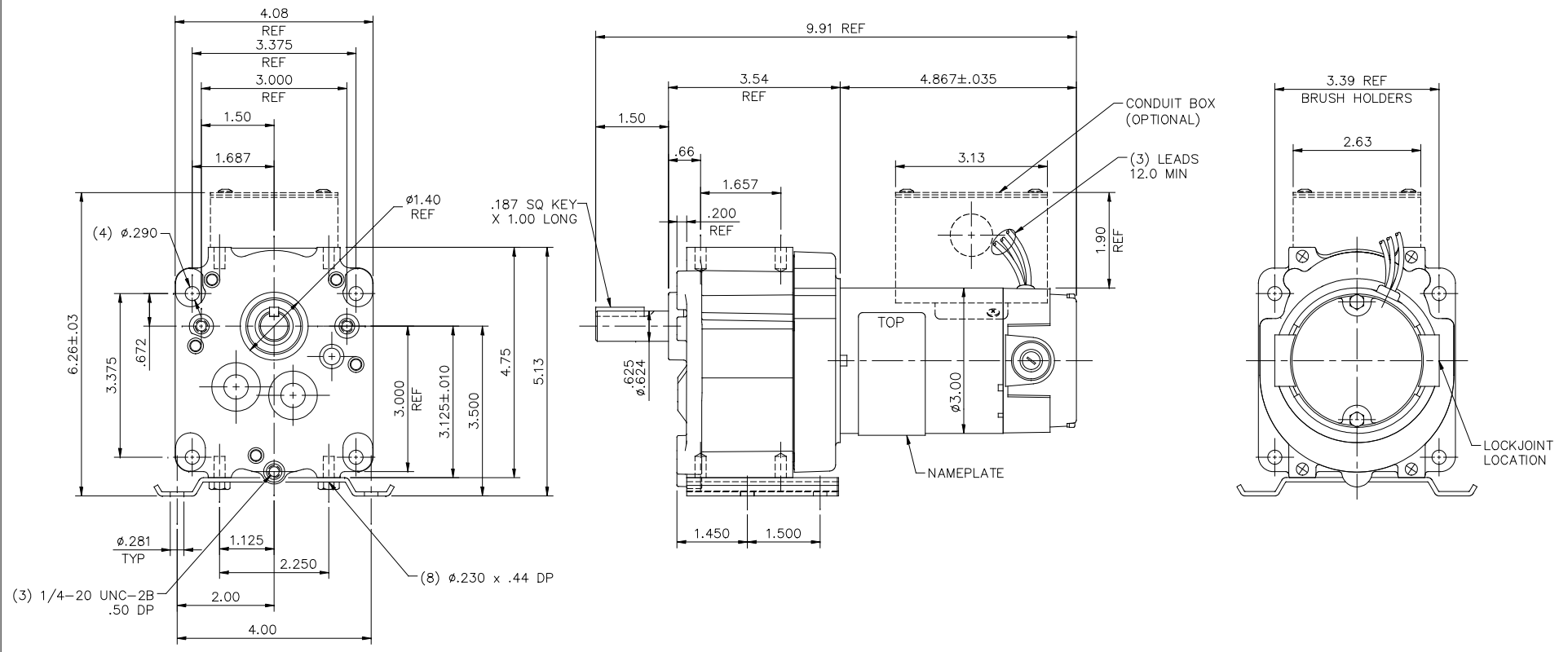
Output HP	0.05 Hp	Output KW	0.04 kW
Voltage	90 V	Current	0.54 A
Speed	9 rpm	Service Factor	1
Efficiency	43.8 %	Duty	Continuous
Insulation Class	F	Frame	30
Enclosure	Totally Enclosed Non Ventilated	Overload Protector	No
Ambient Temperature	40 °C	Drive End Bearing Size	2034
Opp Drive End Bearing Size	2034	UL	Recognized
CSA	Y	CE	Y

Technical Specifications

Rotation	Reversible	Mounting	Special
Shaft Type	Parallel	Overall Length	9.91 in
Frame Length	3.36 in	Shaft Diameter	0.625 in
Shaft Extension	1.5 in		
Outline Drawing	M1030964-M1115025	Connection Diagram	M100530201

This is an uncontrolled document once printed or downloaded and is subject to change without notice. Date Created: 10/15/2018

M1030964

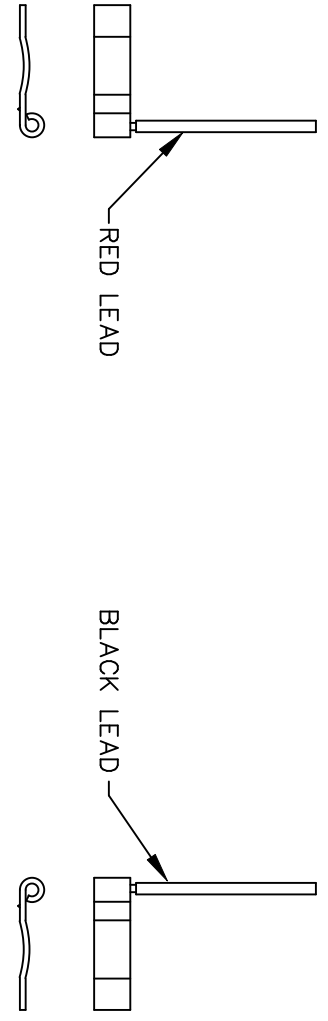
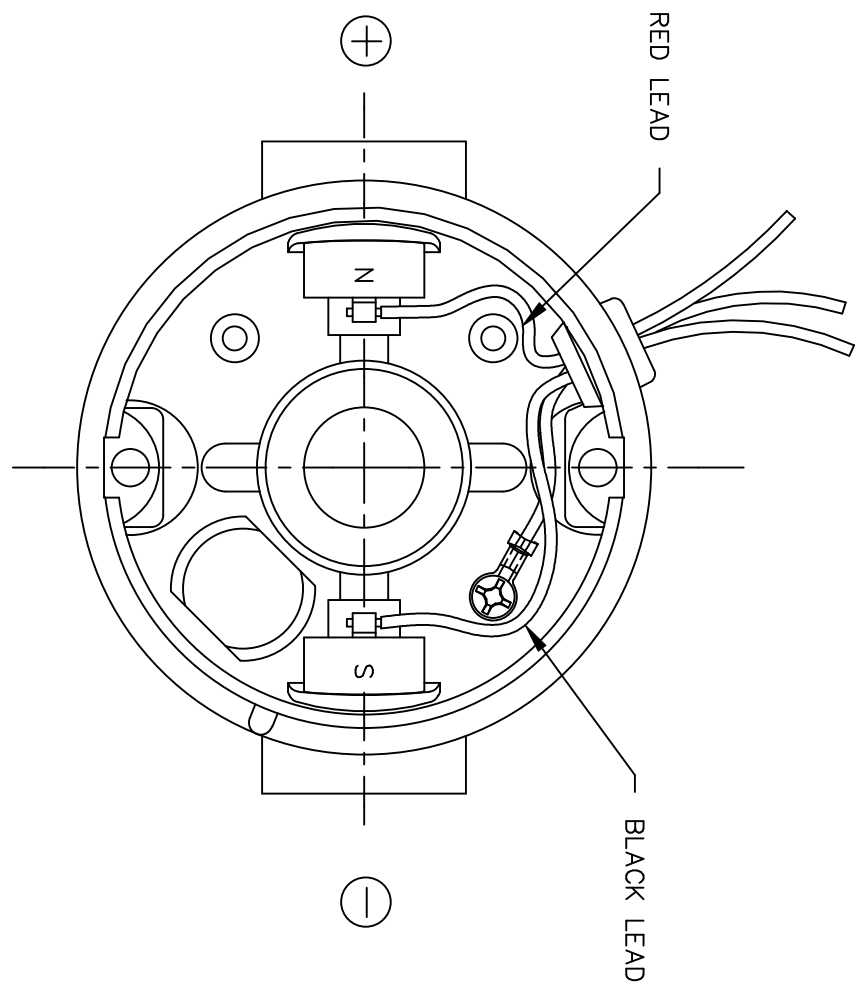


CATALOG No.	VOLTS	HP	RATIO	TORQUE IN-LB	RPM
M1115024.00	90	1/20	336:1	353	5
M1115025.00	90	1/20	216:1	268	9
M1115026.00	90	1/20	103:1	150	18
M1115027.00	90	1/20	52:1	82	34
M1115028.00	90	1/20	35:1	55	51
M1115029.00	90	1/20	16:1	27	109
M1125092.00	180	1/20	91:1	140	20
M1125093.00	180	1/20	29:1	45	60
M1125094.00	180	1/20	17:1	26	106


ITEM No.	ITEM REV
-00	002

TOLERANCES UNLESS SPECIFIED		DEC.		INCHES		LEESON		ELECTRIC MOTORS GEARMOTORS AND DRIVES		DRAWN RWS 3/28/05	
										CHK RPB 3/28/05	
E	UPDATED 1.40 HUB DIM TO MATCH GBOX, ECO-0128172	IPG	7/26/17	.X	±.1	TITLE		30 FRAME DC - P300 GEARBOX		SCALE 1=2	
02	ADDED CAT. #'S M1125092.00, M1125093.00 AND	IPG	9/29/06	SAD	.XX	FINISH		M1030939		REF M1030939	
	M1125094.00 TO TABLE, ECN 06-3810				.XXX	MATERIAL		M1125025.00		FMF M1125025.00	
01	CHGD 11.45 REF TO 9.41 REF, ECR 84115	VS	5/27/05	BC	.XXXX	PREV		M1030964		REV. E	
NO.	REVISION	BY & DATE	CHK	ANG	±1/2"	CAD FILE		M1030964		DRAWING NO. M1030964	
THIS DRAWING IN DESIGN AND DETAIL IS OUR PROPERTY AND MUST NOT BE USED EXCEPT IN CONNECTION WITH OUR WORK ALL RIGHTS OF DESIGN AND INVENTION ARE RESERVED THIS IS AN ELECTRONICALLY GENERATED DOCUMENT - DO NOT SCALE THIS PRINT						RFP			SIZE	B	
						DIST					

D.C. MOTORS



EXTERNAL CONNECTIONS FOR CW ROTATION
 VIEWING LEAD END OF MOTOR WITH RED LEAD
 POSITIVE (+) AND BLACK LEAD NEGATIVE (-)
 FOR CCW ROTATION REVERSE POLARITY

				TOLERANCES UNLESS SPECIFIED		 ELECTRIC MOTORS GEARMOTORS AND DRIVES	DRAWN RWS 3/15/05 CHK RPB 3/15/05 APPD SCALE 1=1 REF 901.706 FMF PREV
				DEC.	INCHES		TITLE CONNECTION DIAGRAM MAT'L. FINISH
				.X	±.1		
				.XX	±.01		
				.XXX	±.005		
00	RELEASED COMM CONVERSION PROJECT	RWS 4/13/05	RPB	.XXXX	±.0005	CAD FILE M100530201	SIZE A DRAWING NO. M1005302.01 REV. 00
NO.	REVISION	BY & DATE	CHK	ANG	±1/2"	DIST	

THIS DRAWING IN DESIGN AND DETAIL IS OUR PROPERTY AND MUST NOT BE USED EXCEPT IN CONNECTION WITH OUR WORK ALL RIGHTS OF DESIGN AND INVENTION ARE RESERVED THIS IS AN ELECTRONICALLY GENERATED DOCUMENT - DO NOT SCALE THIS PRINT