

PRODUCT INFORMATION PACKET



Model No: 980.544B
Catalog No: M1110026.00
...06KW-1/12HP..1800RPM.56D.IP54.24V...S1.40C.1.0SF.B14.980.544B.....
Metric Motors



Regal and Leeson are trademarks of Regal Beloit Corporation or one of its affiliated companies.
©2018 Regal Beloit Corporation, All Rights Reserved. MC017097E





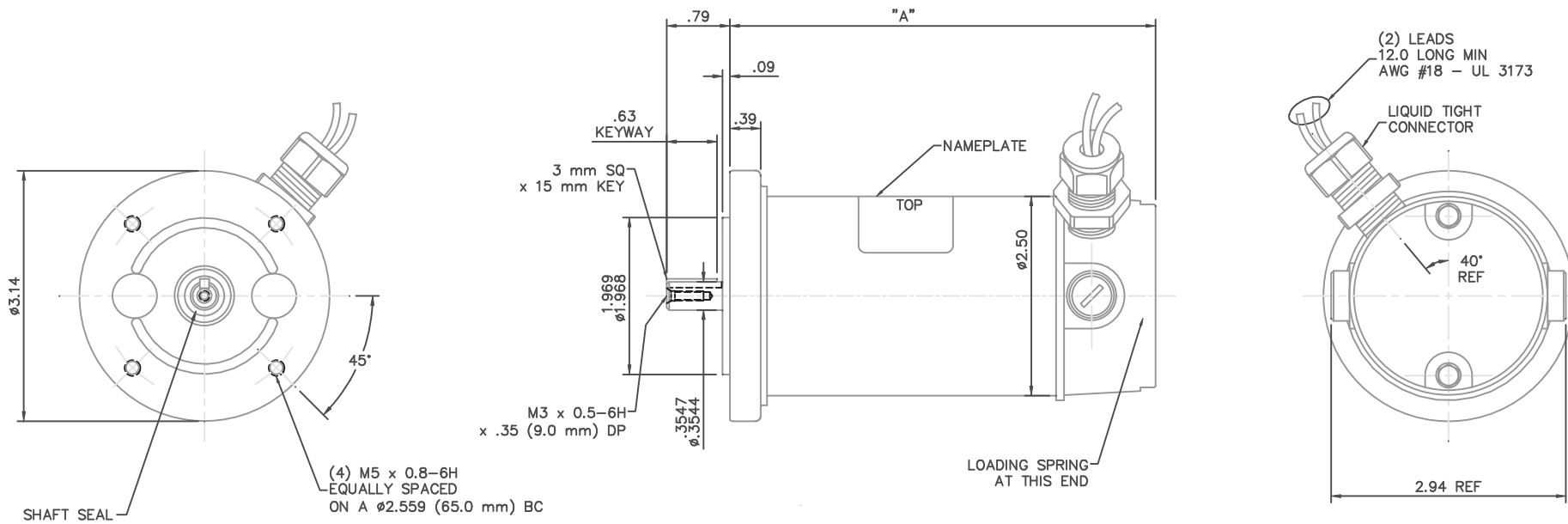
Nameplate Specifications

Output KW	0.06 kW	Voltage	24 V
Current	3.3 A	Speed	1800 rpm
Service Factor	1	Efficiency	77.5 %
Duty	S1	Insulation Class	F
Frame	56D	Enclosure	IP54
Overload Protector	No	Ambient Temperature	40 °C
Drive End Bearing Size	6000	Opp Drive End Bearing Size	608-S
UL	Recognized	CSA	Y
CE	N		

Technical Specifications

Rotation	Reversible	Mounting	B14
Overall Length	7.13 in	Frame Length	4.63 in
Shaft Diameter	0.375 in	Shaft Extension	0.79 in
Outline Drawing	M1030910-M1110026	Connection Diagram	M100527001

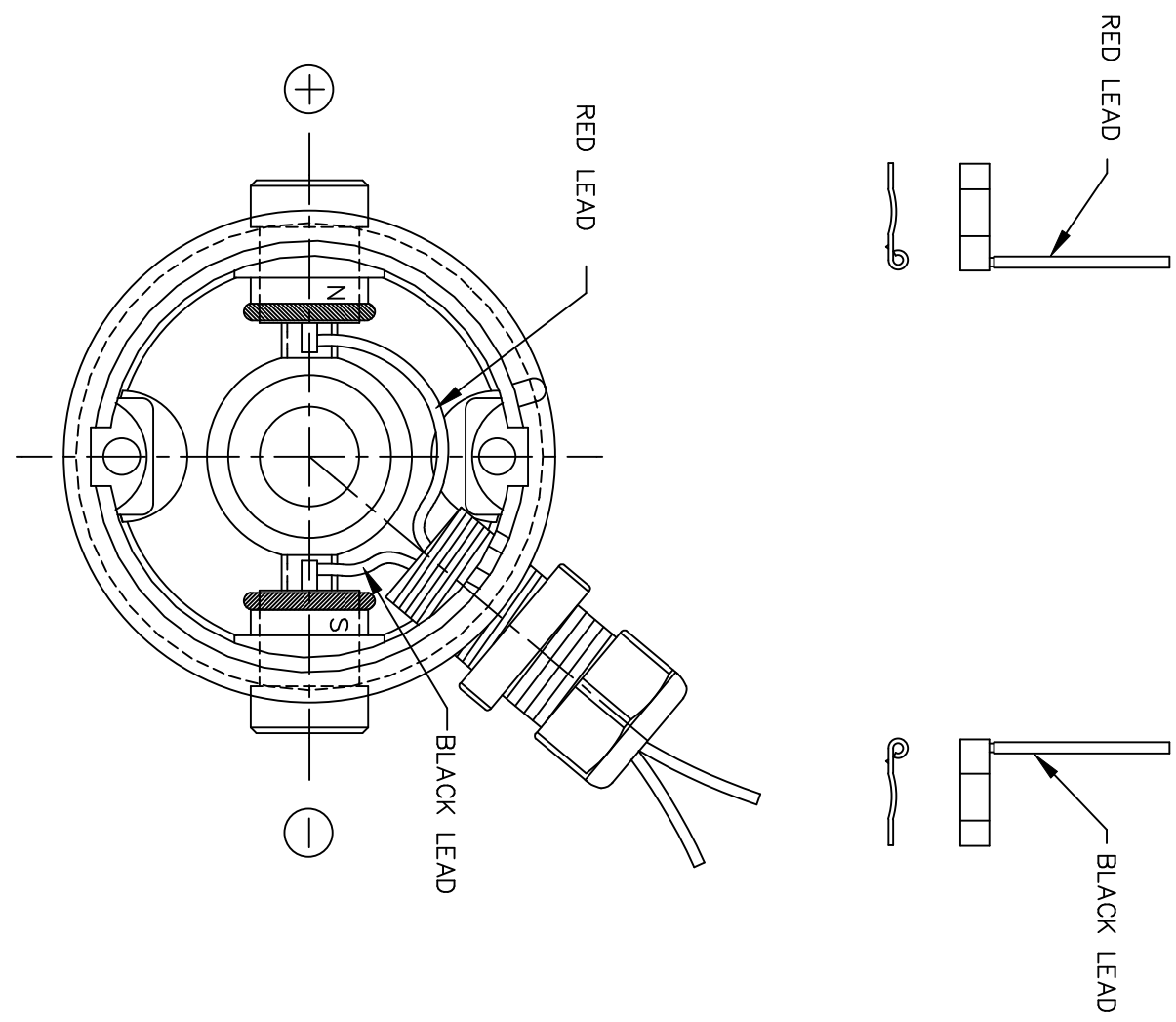
This is an uncontrolled document once printed or downloaded and is subject to change without notice. Date Created: 10/15/2018




CAT. NO.	"A"	VOLTS	H.P.	RPM
M1110025.00	5.34	24	.08	3000
M1110026.00	6.34	24	.08	1800

		TOLERANCES UNLESS SPECIFIED		LEESON ELECTRIC MOTORS GEARMOTORS AND DRIVES		DRAWN IPG 12/1/03				
		DEC.	INCHES	TITLE		CHK	SAD 12/1/03			
03	REMOVED HOLES ON COMM END ENDBELL, ECR 82295	IPG	5/14/04	SAD	.X ±.1	APPD				
02	ADDED MISSING (2) $\phi .201$ PER ECR 83680	BPW	04/01/04	SAD	.XX ±.03	SCALE	3=4			
01	ADDED TABLE PER M1110026.00, ECN 03-558	IPG	12/1/03	SAD	.XXX ±.005	REF				
00	RELEASED: REF. M1030909.00	IPG	12/1/03	SAD	.XXXX ±.0005	FMF	M1110025.00			
NO.	REVISION	BY & DATE		CHK	ANG	FINISH	PREV			
THIS DRAWING IN DESIGN AND DETAIL IS OUR PROPERTY AND MUST NOT BE USED EXCEPT IN CONNECTION WITH OUR WORK ALL RIGHTS OF DESIGN AND INVENTION ARE RESERVED THIS IS AN ELECTRONICALLY GENERATED DOCUMENT - DO NOT SCALE THIS PRINT				RFP		CAD FILE	M1030910	SIZE	DRAWING NO.	REV.
				DIST		B	M1030910.00		03	

D.C. MOTORS



EXTERNAL CONNECTIONS FOR CCW ROTATION
 VIEWING LEAD END OF MOTOR WITH RED LEAD
 POSITIVE AND BLACK LEAD NEGATIVE (-)
 FOR CW ROTATION REVERSE POLARITY

				TOLERANCES UNLESS SPECIFIED			ELECTRIC MOTORS GEARMOTORS AND DRIVES	DRAWN IPG 11/26/03		
				DEC.	INCHES			CHK	SAD 11/26/03	
01	ADDED "TRU-TORQ" TO THE TITLE BLOCK AND ORACLE DESCRIPTION, ECR 83990	IPG 3/2/2004	SAD	.X	±.1	TITLE CONNECTION DIAGRAM TRU-TORQ	SCALE 1=1	APPD		
00	RELEASED: REF. M1005268.01 - EXCEPT: NO GROUND LEAD & FILTER	IPG 11/26/03	SAD	.XXX	±.005			REF	FMF M1110025.00	
NO.	REVISION	BY & DATE	CHK	ANG	±1/2"			MAT'L.	PREV	
THIS DRAWING IN DESIGN AND DETAIL IS OUR PROPERTY AND MUST NOT BE USED EXCEPT IN CONNECTION WITH OUR WORK ALL RIGHTS OF DESIGN AND INVENTION ARE RESERVED THIS IS AN ELECTRONICALLY GENERATED DOCUMENT - DO NOT SCALE THIS PRINT				RFP				FINISH		
				DIST		CAD FILE	M100527001	SIZE	DRAWING NO.	REV.
						A	M1005270.01		01	