

PRODUCT INFORMATION PACKET



Model No: 980.533E
Catalog No: M1110014.00
1/25HP.3500RPM.25.TENV.90V.CONT.40C.1.3SF.SQ. FLANGE.DC SUB-FHP.980.533E
Sub-Fractional



Regal and Leeson are trademarks of Regal Beloit Corporation or one of its affiliated companies.
©2018 Regal Beloit Corporation, All Rights Reserved. MC017097E





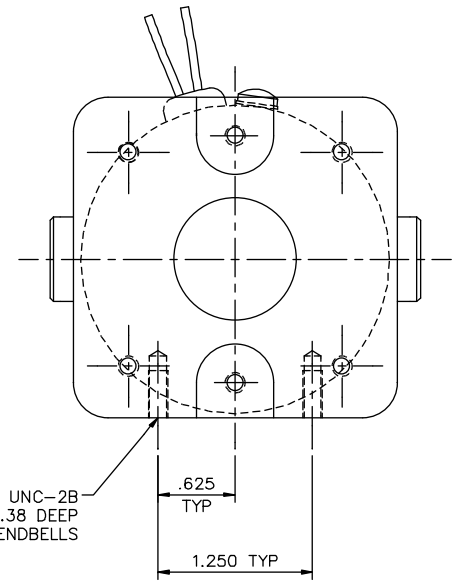
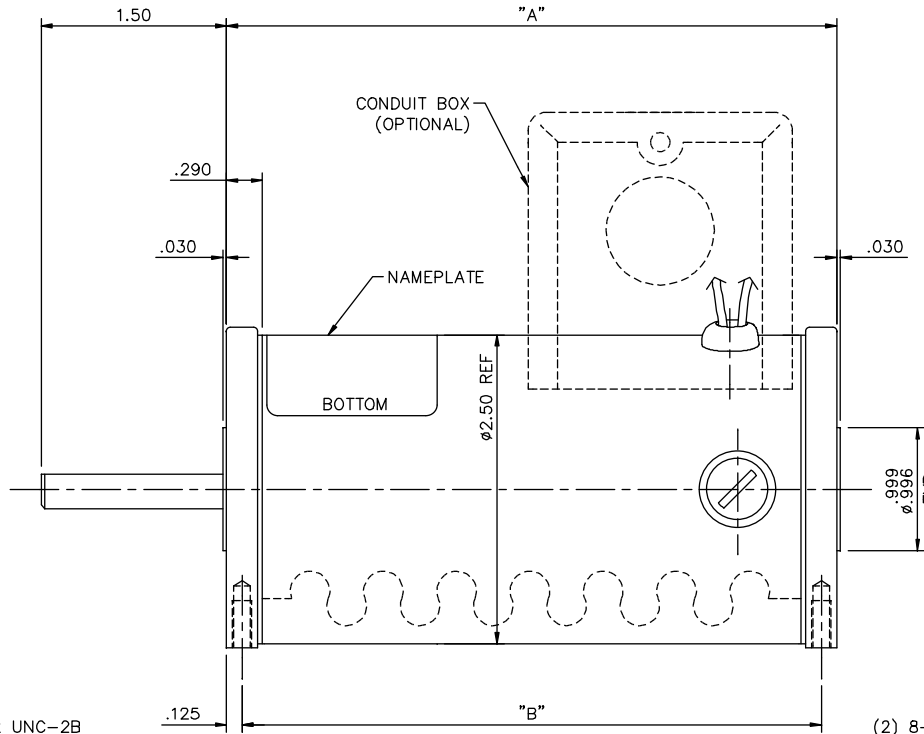
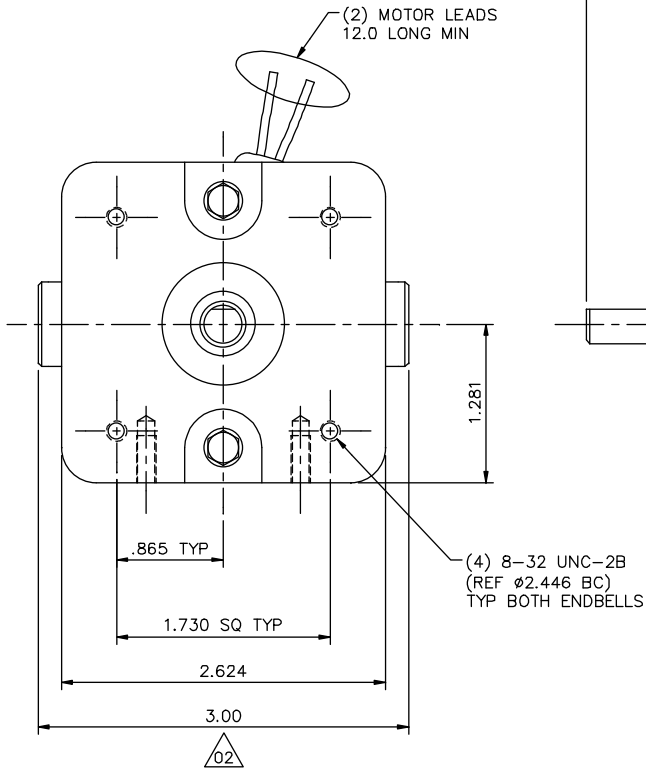
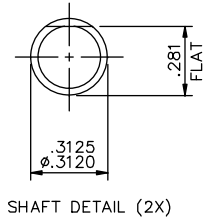
Nameplate Specifications

Output HP	0.04 Hp	Output KW	0.03 kW
Voltage	90 V	Current	0.56 A
Speed	3500 rpm	Service Factor	1.3
Efficiency	59.5 %	Duty	Continuous
Insulation Class	F	Frame	25
Enclosure	Totally Enclosed Non Ventilated	Overload Protector	No
Ambient Temperature	40 °C	Drive End Bearing Size	608-S
Opp Drive End Bearing Size	608-S	UL	Recognized
CSA	Y	CE	Y

Technical Specifications

Rotation	Reversible	Mounting	Round
Overall Length	5.58 in	Frame Length	3.50 in
Shaft Diameter	0.312 in	Shaft Extension	1.5 in
Outline Drawing	M1030888-M1110014	Connection Diagram	M100526101

This is an uncontrolled document once printed or downloaded and is subject to change without notice. Date Created: 10/15/2018

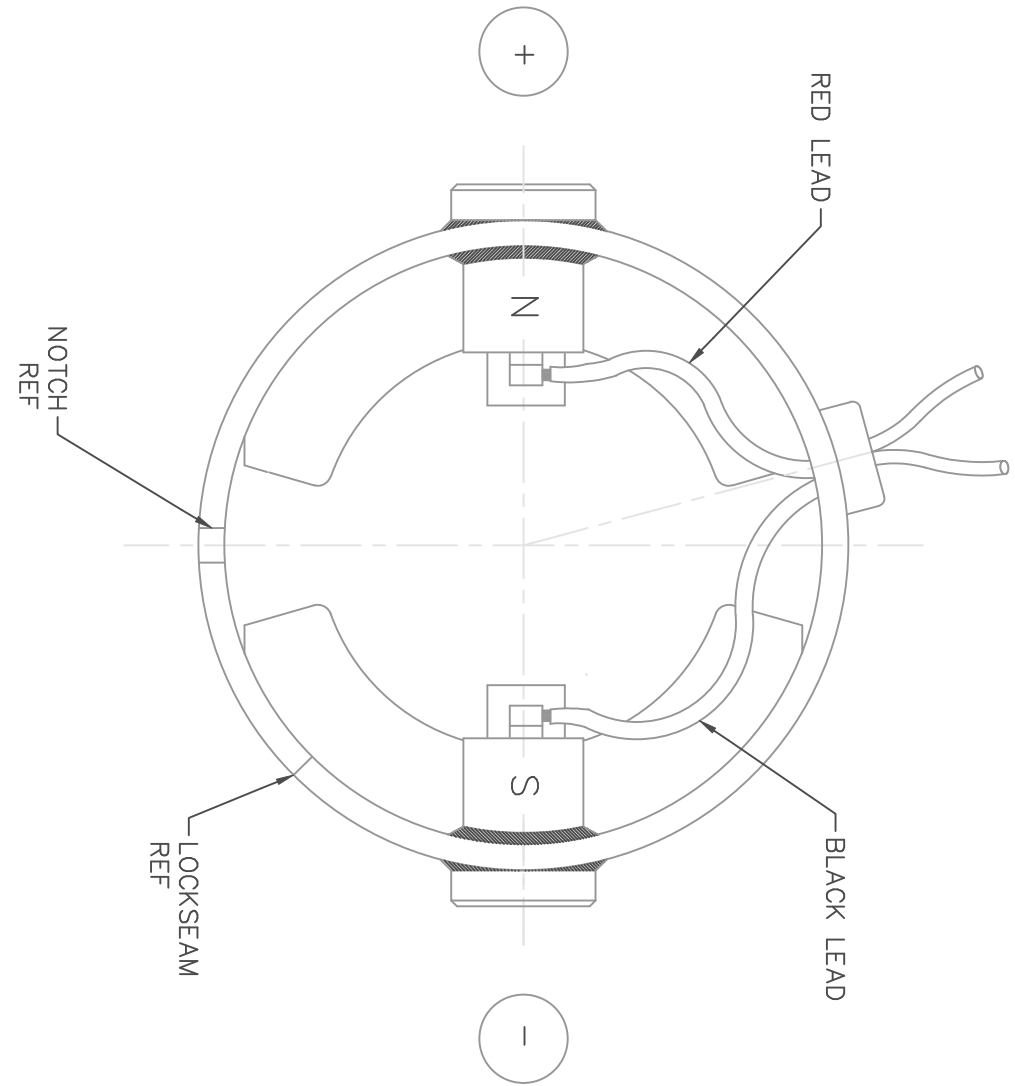


NOTES:
1) ENDBELL MOUNTING FEET TO BE PARALLEL WITHIN .002 OF EACH OTHER.


CAT. NO.	"A"	"B"	VOLTS	H.P.	RPM
M1110003.00	4.94	4.69	90	1/25	1750
M1110006.00	4.94	4.69	12-24	1/20-1/10	1750-4200
M1110014.00	4.08	3.83	90	1/25	3500
M1110015.00	4.94	4.69	90	1/15	3500

		TOLERANCES UNLESS SPECIFIED		LEESON ELECTRIC MOTORS GEARMOTORS AND DRIVES		DRAWN SAD 7/15/03	
		DEC.	INCHES			CHK	IPG 7/16/03
		.X	±.1			APPD	
		.XX	±.03	TITLE		SCALE	1=1
02	ADDED 3.00 DIM TO BRUSHES, ECR 82273	IPG 1/26/2004	SAD .XXX	±.005	OUTLINE		REF PRO20584
01	ADDED TABLE PER 25 FRAME CONVERSION	IPG 8/18/03	SAD .XXXX	±.0005	25 FRAME DC		FMF M1110014.00
NO.	REVISION	BY & DATE	CHK	ANG	FINISH	PREV	
	THIS DRAWING IN DESIGN AND DETAIL IS OUR PROPERTY AND MUST NOT BE USED EXCEPT IN CONNECTION WITH OUR WORK ALL RIGHTS OF DESIGN AND INVENTION ARE RESERVED THIS IS AN ELECTRONICALLY GENERATED DOCUMENT - DO NOT SCALE THIS PRINT			RFP	CAD FILE	M1030888	SIZE DRAWING NO.
			DIST				B M1030888.00
							REV. 02

DC MOTORS



EXTERNAL CONNECTIONS FOR CW ROTATION VIEWING
 LEAD END OF MOTOR WITH RED LEAD POSITIVE (+)
 AND BLACK LEAD NEGATIVE (-)
 FOR CW ROTATION REVERSE POLARITY

				TOLERANCES UNLESS SPECIFIED		 ELECTRIC MOTORS GEARMOTORS AND DRIVES	DRAWN SAD 06/20/03		
				DEC.	INCHES		CHK IPG 06/20/03	APPD	
				.X	±.1	TITLE CONNECTION DIAGRAM TRU-TORQ	SCALE 1=1		
02	CORRECTED "N" & "S", ADDED TRU-TORQ TO THE TITLE	IPG 3/1/2004	SAD	.XX	±.01		REF PR020584		
	BLOCK AND ORACLE DESCRIPTION, ECR 83989			.XXX	±.005	MAT'L. SEE ABOVE	FMF M110014.00		
01	CORRECTED "N" & "S", ECR 83508	SMB 01/21/04	IPG	.XXXX	±.0005		FINISH	PREV	
NO.	REVISION	BY & DATE	CHK	ANG	±1/2'				
THIS DRAWING IN DESIGN AND DETAIL IS OUR PROPERTY AND MUST NOT BE USED EXCEPT IN CONNECTION WITH OUR WORK ALL RIGHTS OF DESIGN AND INVENTION ARE RESERVED THIS IS AN ELECTRONICALLY GENERATED DOCUMENT - DO NOT SCALE THIS PRINT				RFP		CAD FILE M100526101	SIZE A	DRAWING NO. M1005261.01	REV. 02
				DIST					