

# PRODUCT INFORMATION PACKET



Model No: LM34178  
Catalog No: LM34178  
1 HP Automotive Duty Motor, 3 phase, 1800 RPM, 230/460 V, 56Z Frame, TEFC  
Automotive Duty Motors



Regal and Leeson are trademarks of Regal Beloit Corporation or one of its affiliated companies.  
©2019 Regal Beloit Corporation, All Rights Reserved. MC017097E





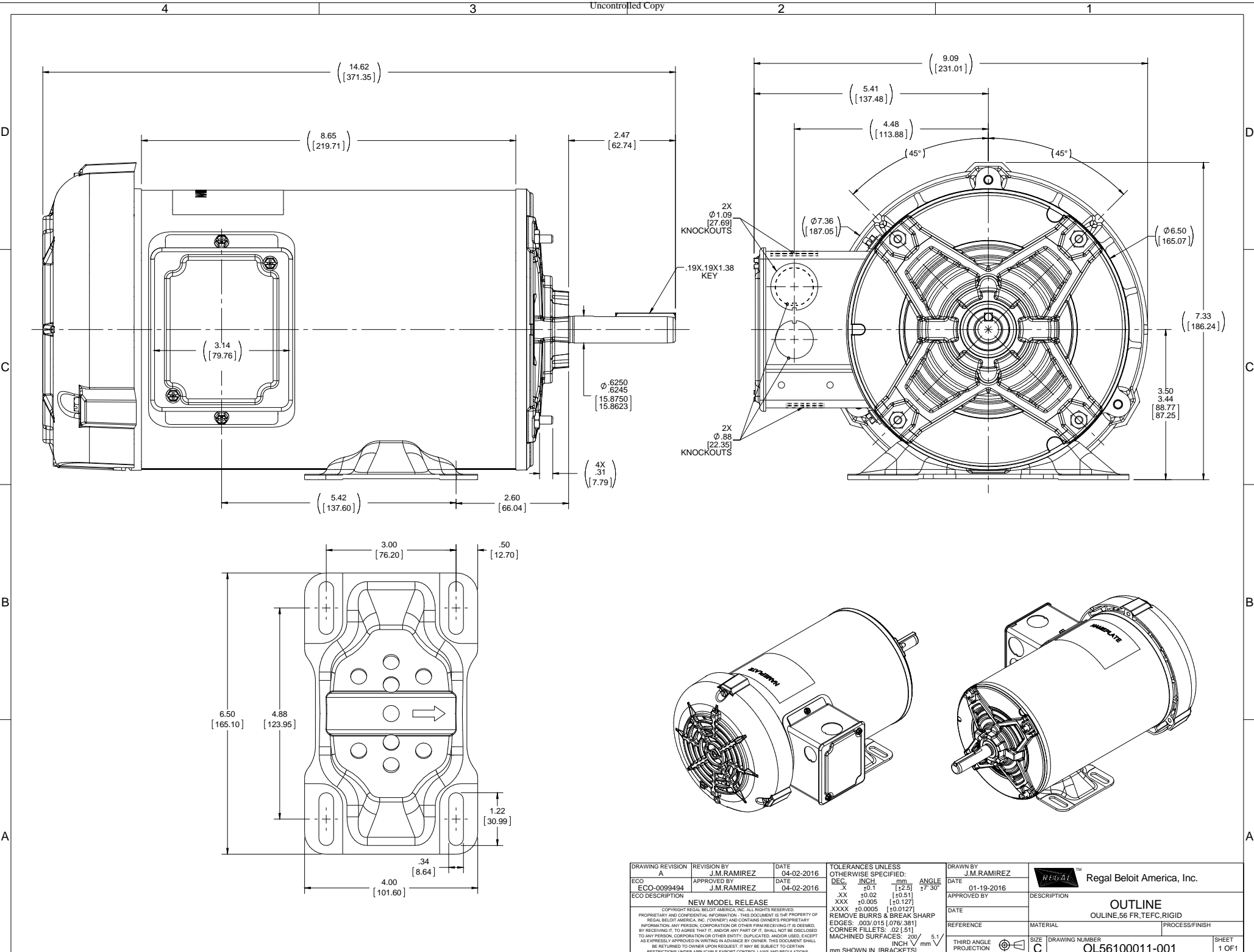
### Nameplate Specifications

Output HP	<b>1 Hp</b>	Output KW	<b>0.75 kW</b>
Frequency	<b>60 Hz</b>	Voltage	<b>230/460 V</b>
Current	<b>3.3/1.7 A</b>	Speed	<b>1725 rpm</b>
Service Factor	<b>1</b>	Phase	<b>3</b>
Efficiency	<b>85.5 %</b>	Power Factor	<b>68</b>
Duty	<b>Continuous</b>	Insulation Class	<b>F</b>
Design Code	<b>B</b>	KVA Code	<b>P</b>
Frame	<b>56Z</b>	Enclosure	<b>Totally Enclosed Fan Cooled</b>
Thermal Protection	<b>No</b>	Ambient Temperature	<b>65 °C</b>
Drive End Bearing Size	<b>6205</b>	Opp Drive End Bearing Size	<b>6203</b>
UL	<b>Recognized</b>	CSA	<b>Y</b>
CE	<b>Y</b>	IP Code	<b>43</b>

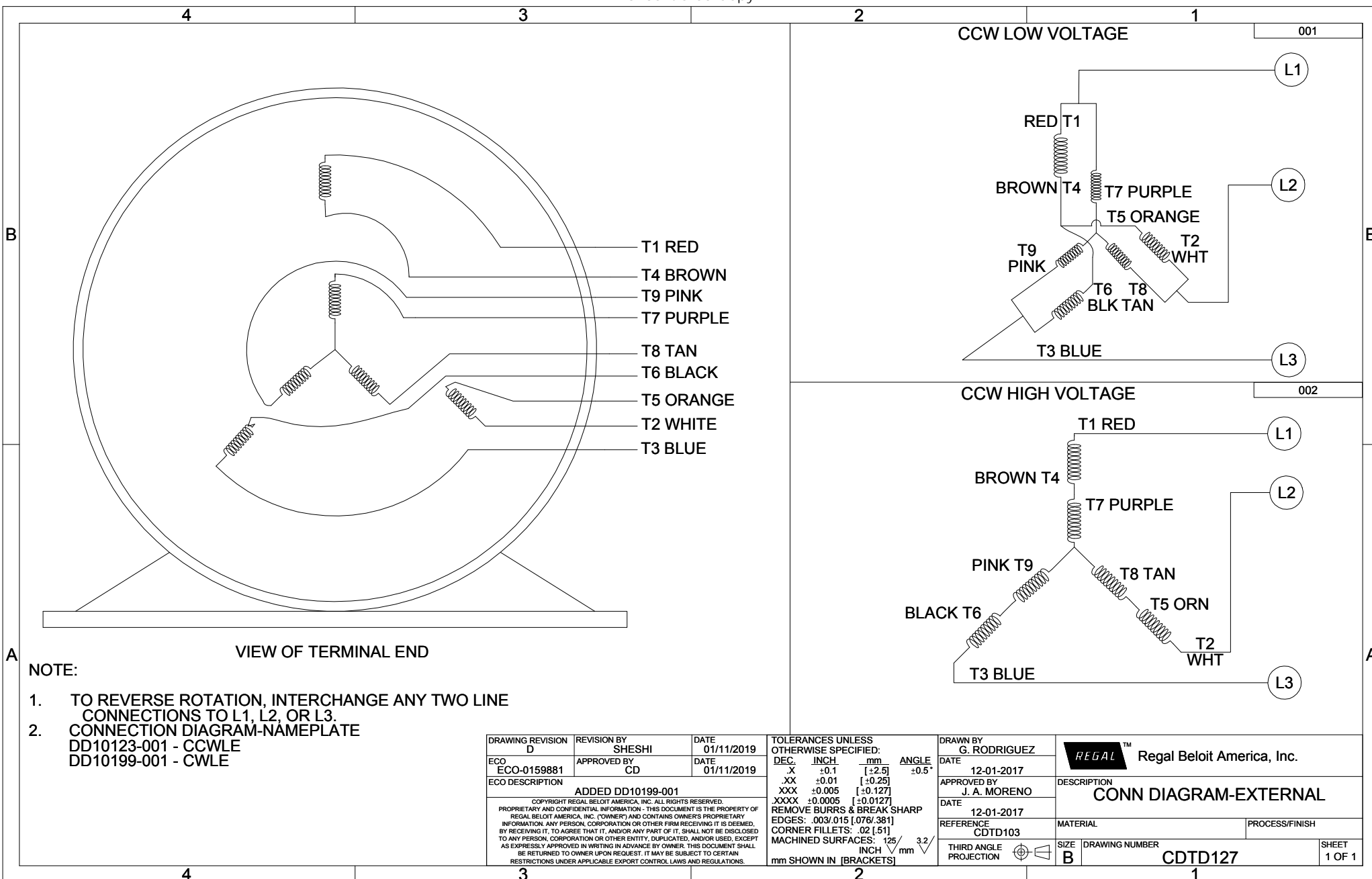
### Technical Specifications

Electrical Type	<b>Squirrel Cage Induction Run</b>	Starting Method	<b>Across The Line</b>
Poles	<b>4</b>	Rotation	<b>Reversible</b>
Resistance Main	<b>11.8 Ohms</b>	Mounting	<b>Rigid base</b>
Motor Orientation	<b>Horizontal</b>	Drive End Bearing	<b>Ball</b>
Opp Drive End Bearing	<b>Ball</b>	Frame Material	<b>Rolled Steel</b>
Shaft Type	<b>Single Special Extension</b>	Overall Length	<b>14.62 in</b>
Frame Length	<b>8.65 in</b>	Shaft Diameter	<b>0.625 in</b>
Shaft Extension	<b>2.47 in</b>	Assembly/Box Mounting	<b>F1 Only</b>

This is an uncontrolled document once printed or downloaded and is subject to change without notice. Date Created:01/11/2019



DRAWING REVISION A	REVISION BY J.M. RAMIREZ	DATE 04-02-2016	TOLERANCES UNLESS OTHERWISE SPECIFIED: DEC. INCH mm ANGLE .X ±0.1 [±2.5] 7° 30' .XX ±0.02 [±0.51] .XXX ±0.005 [±0.127] .XXXX ±0.0005 [±0.0127] REMOVE BURRS & BREAK SHARP EDGES - 003 015 [076 381] CORNER FILLETS: .02 [51] MACHINED SURFACES: 200 5:1 INCH V mm ✓ mm SHOWN IN [BRACKETS]	DRAWN BY J.M. RAMIREZ	Regal Beloit America, Inc.
ECO-0099494	APPROVED BY J.M. RAMIREZ	DATE 04-02-2016	REFERENCE	DATE 01-19-2016	DESCRIPTION <b>OUTLINE</b> OUTLINE, 56 FR, TEFC, RIGID
ECO DESCRIPTION <b>NEW MODEL RELEASE</b> COPYRIGHT REGAL BELOIT AMERICA, INC. ALL RIGHTS RESERVED. PROPRIETARY AND CONFIDENTIAL INFORMATION. THIS DOCUMENT IS THE PROPERTY OF REGAL BELOIT AMERICA, INC. FORMERLY AND CONTAINS OWNER'S PROPRIETARY INFORMATION. ANY PERSON, CORPORATION OR OTHER FIRM RECEIVING IT IS DEEMED, BY RECEIVING IT, TO AGREE THAT IT, AND/OR ANY PART OF IT, SHALL NOT BE DISCLOSED TO ANY PERSON, CORPORATION OR OTHER ENTITY, DUPLICATED, AND/OR USED, EXCEPT AS EXPRESSLY APPROVED IN WRITING IN ADVANCE BY OWNER. THIS DOCUMENT SHALL BE RETURNED TO OWNER UPON REQUEST. IT MAY BE SUBJECT TO CERTAIN RESTRICTIONS UNDER APPLICABLE EXPORT CONTROL LAWS AND REGULATIONS.			MATERIAL	PROCESS/FINISH	
			THIRD ANGLE PROJECTION	SIZE C	DRAWING NUMBER OL56100011-001
					SHEET 1 OF 1



B

B

A

A

VIEW OF TERMINAL END

- NOTE:
1. TO REVERSE ROTATION, INTERCHANGE ANY TWO LINE CONNECTIONS TO L1, L2, OR L3.
  2. CONNECTION DIAGRAM-NAMEPLATE DD10123-001 - CCWLE DD10199-001 - CWLE

DRAWING REVISION D		REVISION BY SHESHI	DATE 01/11/2019	TOLERANCES UNLESS OTHERWISE SPECIFIED:		DRAWN BY G. RODRIGUEZ		REGAL™ Regal Beloit America, Inc.	
ECO ECO-0159881		APPROVED BY CD	DATE 01/11/2019	DEC.	INCH	mm	ANGLE	DATE 12-01-2017	DESCRIPTION CONN DIAGRAM-EXTERNAL
ECO DESCRIPTION ADDED DD10199-001		COPYRIGHT REGAL BELOIT AMERICA, INC. ALL RIGHTS RESERVED. PROPRIETARY AND CONFIDENTIAL INFORMATION - THIS DOCUMENT IS THE PROPERTY OF REGAL BELOIT AMERICA, INC. (OWNER) AND CONTAINS OWNERS PROPRIETARY INFORMATION. ANY PERSON, CORPORATION OR OTHER FIRM RECEIVING IT IS DEEMED, BY RECEIVING IT, TO AGREE THAT IT, AND/OR ANY PART OF IT, SHALL NOT BE DISCLOSED TO ANY PERSON, CORPORATION OR OTHER ENTITY, DUPLICATED, AND/OR USED, EXCEPT AS EXPRESSLY APPROVED IN WRITING IN ADVANCE BY OWNER. THIS DOCUMENT SHALL BE RETURNED TO OWNER UPON REQUEST. IT MAY BE SUBJECT TO CERTAIN RESTRICTIONS UNDER APPLICABLE EXPORT CONTROL LAWS AND REGULATIONS.		.X	±0.1	[±2.5]	±0.5°	APPROVED BY J. A. MORENO	
				.XX	±0.01	[±0.25]		DATE 12-01-2017	MATERIAL
				.XXX	±0.005	[±0.127]		REFERENCE CDTD103	PROCESS/FINISH
				.XXXX	±0.0005	[±0.0127]		THIRD ANGLE PROJECTION	SIZE B
				REMOVE BURRS & BREAK SHARP EDGES: .003/.015 [.076/.381]		MACHINED SURFACES: 125/3.2		DRAWING NUMBER CDTD127	
				CORNER FILLETS: .02 [.51]		mm SHOWN IN [BRACKETS]		SHEET 1 OF 1	