

PRODUCT INFORMATION PACKET



Model No: SRF2B1T61

Catalog No: LM34141

..1HP..3600RPM.56.TEFC.230/460V.3PH.60HZ.CONT.40C.1.15SF.RIGID BASE.....GENERAL
PURPOSE.....

Totally Enclosed Fan Cooled (TEFC)



Regal and Leeson are trademarks of Regal Beloit Corporation or one of its affiliated companies.

©2018 Regal Beloit Corporation, All Rights Reserved. MC017097E





Nameplate Specifications

Output HP	1 Hp	Output KW	0.75 kW
Frequency	60 Hz	Voltage	230/460 V
Current	3.0/1.5 A	Speed	3450 rpm
Service Factor	1.15	Phase	3
Efficiency	78.5 %	Duty	Continuous
Insulation Class	F	Design Code	B
KVA Code	J	Frame	56
Enclosure	Totally Enclosed Fan Cooled	Overload Protector	No
Ambient Temperature	40 °C	Drive End Bearing Size	6203
Opp Drive End Bearing Size	6203	UL	Recognized
CSA	Y	CE	Y
IP Code	43		

Technical Specifications

Electrical Type	Squirrel Cage Induction Run	Starting Method	Across The Line
Poles	2	Rotation	Reversible
Mounting	Rigid base	Motor Orientation	HORIZONTAL
Drive End Bearing	BALL	Opp Drive End Bearing	BALL
Frame Material	Rolled Steel	Shaft Type	NEMA 56
Overall Length	11.82 in	Frame Length	6.56 in
Shaft Diameter	0.625 in	Shaft Extension	1.88 in
Assembly/Box Mounting	F1 ONLY		
Outline Drawing	A-100086LN-656	Connection Diagram	EE7308

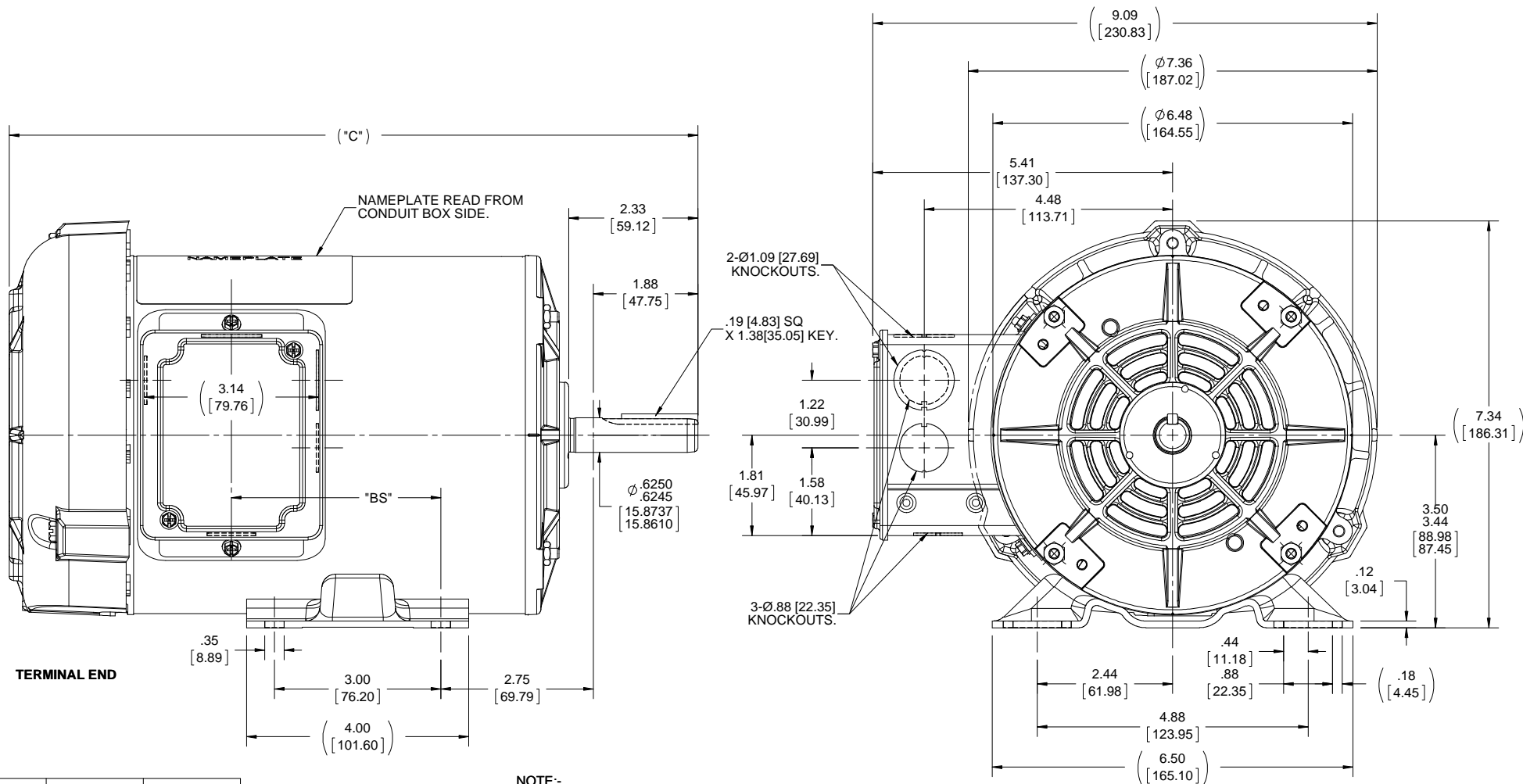
This is an uncontrolled document once printed or downloaded and is subject to change without notice. Date Created: 10/15/2018

B

B

A

A



TERMINAL END

NAMEPLATE READ FROM CONDUIT BOX SIDE.

2-Ø1.09 [27.69] KNOCKOUTS.

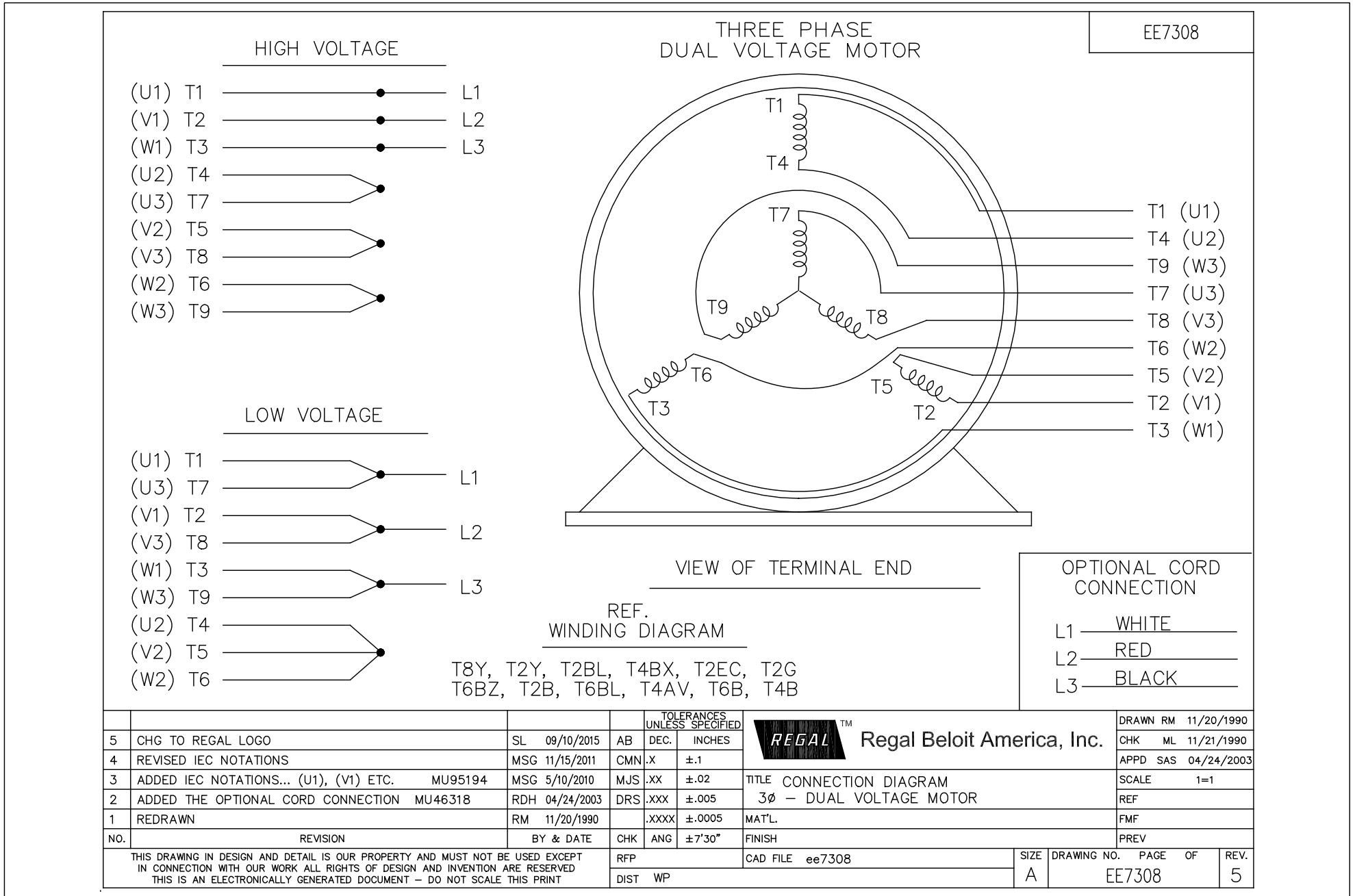
.19 [4.83] SQ X 1.38[35.05] KEY.

3-Ø.88 [22.35] KNOCKOUTS.

NOTE:-
1) CONDUIT BOX CAN BE ROTATED IN 180° STEPS.

DASH	"C"	"BS"
606	11.41 [289.81]	2.78 [70.61]
656	11.91 [302.51]	3.28 [83.31]
706	12.41 [315.21]	3.78 [96.01]
756	12.91 [327.91]	4.28 [108.71]
806	13.41 [340.61]	4.78 [121.41]
856	13.91 [353.31]	5.28 [134.11]
906	14.41 [366.01]	5.78 [146.81]

DRAWING REVISION C	REVISION BY A.SUPPANAVAR	DATE 02/26/2018	TOLERANCES UNLESS OTHERWISE SPECIFIED: DEC. INCH mm ANGLE .X ±0.1 [±2.5] ±7°30' .XX ±0.03 [±0.76] .XXX ±0.005 [±0.127] .XXXX ±0.0005 [±0.0127]	DRAWN BY BLR	DATE 06-07-1999
ECO ECO-0143026	APPROVED BY PST	DATE 04/11/2018	REMOVE BURRS & BREAK SHARP EDGES: .003/.015 [076/.381] X 45° CORNER FILLETS: R.02 [51]	APPROVED BY	DESCRIPTION OUTLINE 56 FR.-TEFC
ECO DESCRIPTION OUTLINE CONVERSION PROJECT COPYRIGHT REGAL BELOIT AMERICA, INC. ALL RIGHTS RESERVED. PROPRIETARY AND CONFIDENTIAL INFORMATION - THIS DOCUMENT IS THE PROPERTY OF REGAL BELOIT AMERICA, INC. (OWNER) AND CONTAINS OWNER'S PROPRIETARY INFORMATION. ANY PERSON, CORPORATION OR OTHER FIRM RECEIVING IT IS DEEMED, BY RECEIVING IT, TO AGREE THAT IT, AND/OR ANY PART OF IT, SHALL NOT BE DISCLOSED TO ANY PERSON, CORPORATION OR OTHER ENTITY, DUPLICATED, AND/OR USED, EXCEPT AS EXPRESSLY APPROVED IN WRITING IN ADVANCE BY OWNER. THIS DOCUMENT SHALL BE RETURNED TO OWNER UPON REQUEST. IT MAY BE SUBJECT TO CERTAIN RESTRICTIONS UNDER APPLICABLE EXPORT CONTROL LAWS AND REGULATIONS.			MACHINED SURFACES: 200 INCH mm 5.1 mm SHOWN IN [BRACKETS]	REFERENCE 100086LN	MATERIAL PROCESS/FINISH
			THIRD ANGLE PROJECTION	SIZE B	DRAWING NUMBER 100086LN
					SHEET 1 OF 1





Motor Load Data

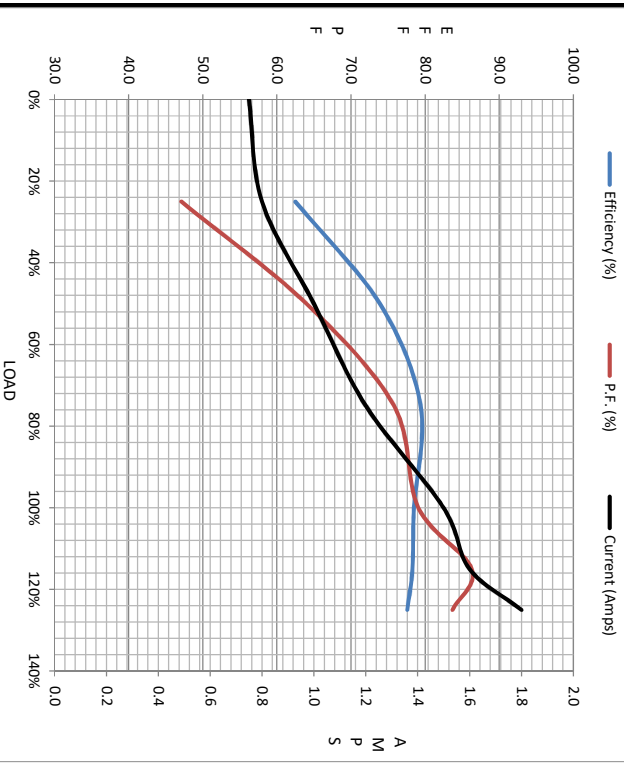
Load	0%	25%	50%	75%	100%	115%	125%	LR
Current (Amps)	0.75	0.80	1.00	1.20	1.50	1.60	1.80	10.0
Torque (ft-lb)	0.00	0.37	0.75	1.15	1.50	1.75	1.90	3.2
RPm	3600	3569	3540	3525	3485	3465	3450	0
Efficiency (%)		62.5	73.9	79.4	78.5	78.3	77.6	
P.F. (%)	20.1	47.1	64.0	75.8	79.1	86.3	83.7	64.0

Motor Speed Data

	LR	Pull-Up	BD	Rated	Idle
Speed (RPM)	0	1500	2750	3485	3600
Current (Amps)	10.0	9.5	5.9	1.50	0.75
Torque (ft-lb)	3.2	2.80	4.8	1.50	0.00

Information Block

HP	1.0			
Sync. RPM	3600			
Frame	56			
Enclosure	TEFC			
Construction	TFR			
Voltage	230/460#190-208/380-415 V			
Frequency	60 Hz			
Design	B			
LR Code letter	J			
Service Factor	1.15			
Temp Rise @ FL	45 °C			
Duty	CONT			
Ambient	40 °C			
Elevation	1,000 feet			
Rotor/Shaft wk ²	0.02 LB-Ft ²			
Ref Wdg	Z12107 R4			
Sound Pressure @ 1M	68 dBA			
VFD Rating	NONE			
Outline Dwg	A-100086LN-656			
Conn. Diag	EE7308			
Additional Specifications:				
0				
EQUIV CKT (OHMS / PHASE)				
R1	R2	X1	X2	Xm
12.0700	6.3620	17.3240	11.2460	349.3200



Speed -Torque Curve

