

PRODUCT INFORMATION PACKET



Model No: SRF6B1T61

Catalog No: LM34140

..1HP..1200RPM.56H.TEFC.230/460V.3PH.60HZ.CONT.40C.1.15SF.RIGID BASE.....GENERAL
PURPOSE.....

Totally Enclosed Fan Cooled (TEFC)



Regal and Leeson are trademarks of Regal Beloit Corporation or one of its affiliated companies.

©2018 Regal Beloit Corporation, All Rights Reserved. MC017097E





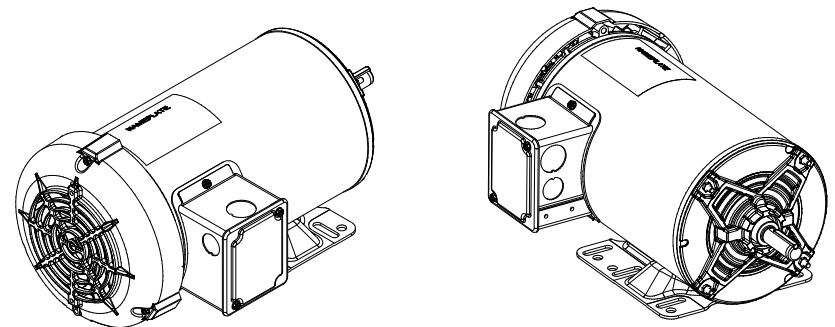
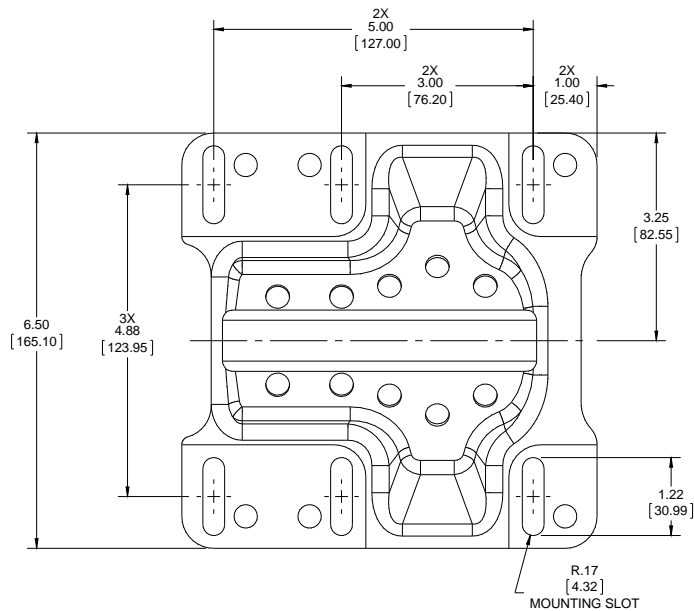
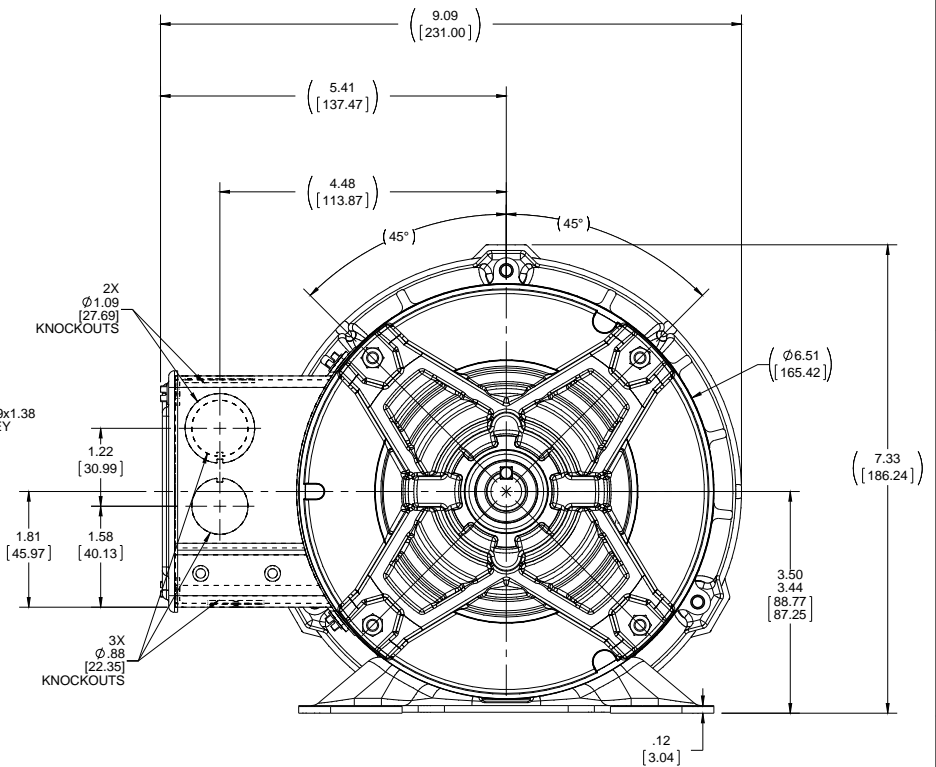
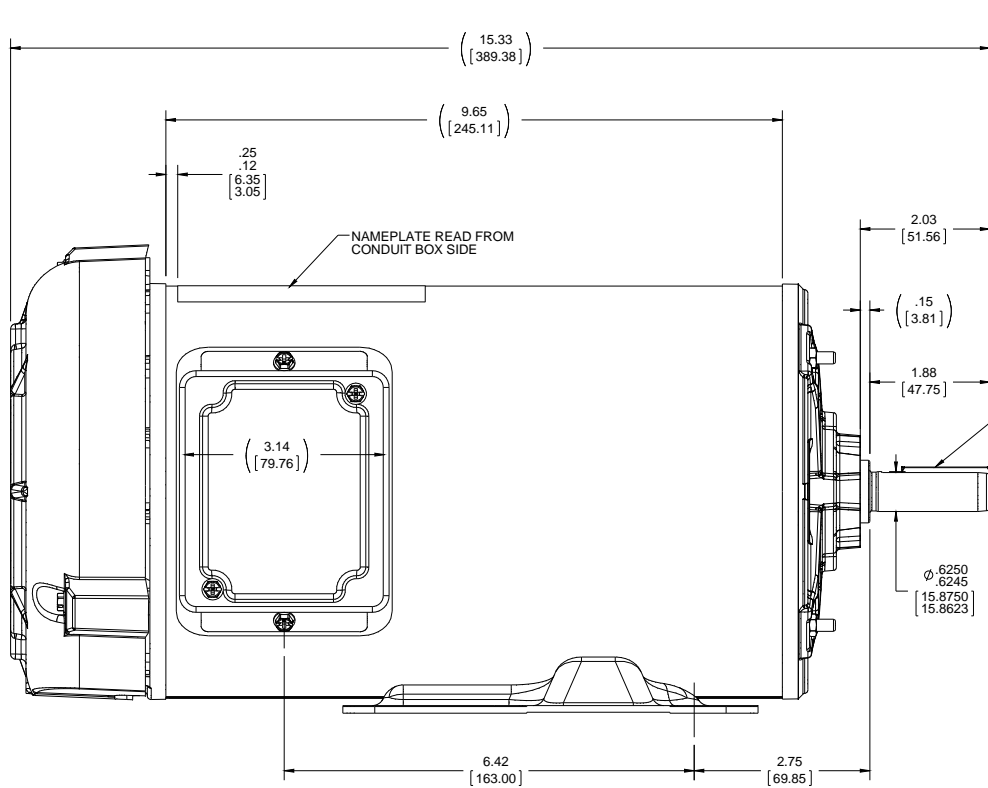
Nameplate Specifications

Output HP	1 Hp	Output KW	0.75 kW
Frequency	60 Hz	Voltage	230/460 V
Current	3.8/1.9 A	Speed	1140 rpm
Service Factor	1.15	Phase	3
Efficiency	82.5 %	Duty	Continuous
Insulation Class	B	Design Code	B
KVA Code	L	Frame	56HZ
Enclosure	Totally Enclosed Fan Cooled	Overload Protector	No
Ambient Temperature	40 °C	Drive End Bearing Size	6205
Opp Drive End Bearing Size	6203	UL	Recognized
CSA	Y	CE	Y
IP Code	43		

Technical Specifications

Electrical Type	Squirrel Cage Induction Run	Starting Method	Across The Line
Poles	6	Rotation	Reversible
Mounting	Rigid base	Motor Orientation	HORIZONTAL
Drive End Bearing	BALL	Opp Drive End Bearing	BALL
Frame Material	Rolled Steel	Shaft Type	Single Special Extension
Overall Length	15.33 in	Frame Length	9.65 in
Shaft Diameter	0.625 in	Shaft Extension	1.88 in
Assembly/Box Mounting	F1 ONLY		
Outline Drawing	OL56100134-001	Connection Diagram	CDTD103

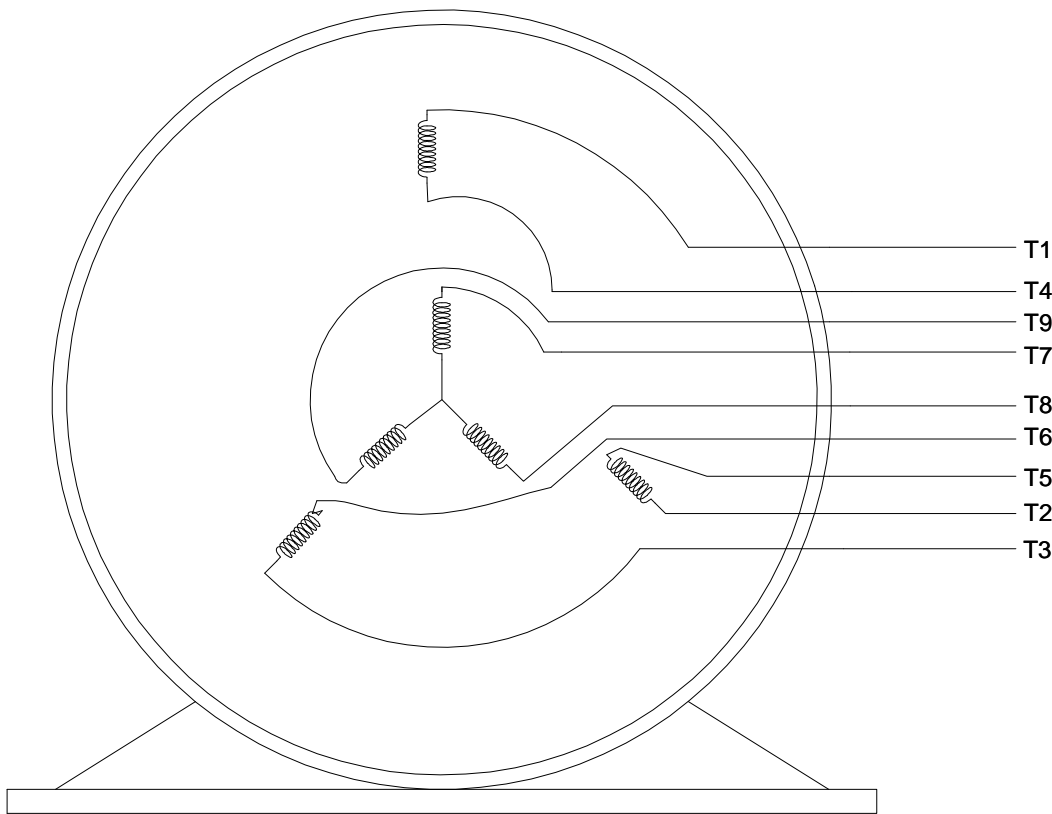
This is an uncontrolled document once printed or downloaded and is subject to change without notice. Date Created: 10/15/2018



DRAWING REVISION A	REVISION BY E VILLA	DATE 08-25-2016	TOLERANCES UNLESS OTHERWISE SPECIFIED: DEC. INCH mm ANGLE .X ±0.1 [±2.5] ±0.5° .XX ±0.02 [±0.51] .XXX ±0.005 [±0.127] .XXXX ±0.0005 [±0.0127] REMOVE BURRS & BREAK SHARP EDGES: .003/.015 [0.076/.381] X 45° CORNER FILLETS: R.02 [5.1] MACHINED SURFACES: $\sqrt{125}$ INCH $\sqrt{3.2}$ mm SHOWN IN [BRACKETS]	DRAWN BY DATE	Regal Beloit America, Inc.
ECO-0098058	APPROVED BY J. ORTEGA	DATE 0825-2016	THIRD ANGLE PROJECTION	APPROVED BY	DESCRIPTION OUTLINE
ECO DESCRIPTION NEW MODEL RELEASE	NEW MODEL RELEASE		REFERENCE	MATERIAL	PROCESS/FINISH
<small>COPYRIGHT REGAL BELOIT AMERICA, INC. ALL RIGHTS RESERVED. PROPRIETARY AND CONFIDENTIAL INFORMATION. THIS DOCUMENT IS THE PROPERTY OF REGAL BELOIT AMERICA, INC. CONTAINING AND CONTAINS OWNERS PROPRIETARY INFORMATION. ANY PERSON, CORPORATION OR OTHER FIRM RECEIVING IT IS DEEMED, BY RECEIVING IT, TO AGREE THAT IT, AND/OR ANY PART OF IT, SHALL NOT BE DISCLOSED TO ANY PERSON, CORPORATION OR OTHER ENTITY, DUPLICATED, AND/OR USED, EXCEPT AS EXPRESSLY APPROVED IN WRITING IN ADVANCE BY OWNER. THIS DOCUMENT SHALL BE RETURNED TO OWNER UPON REQUEST. IT MAY BE SUBJECT TO CERTAIN RESTRICTIONS UNDER APPLICABLE EXPORT CONTROL LAWS AND REGULATIONS.</small>			SIZE C	DRAWING NUMBER OL56100134-001	SHEET 1 OF 1

B

B



VIEW OF TERMINAL END

NOTE:

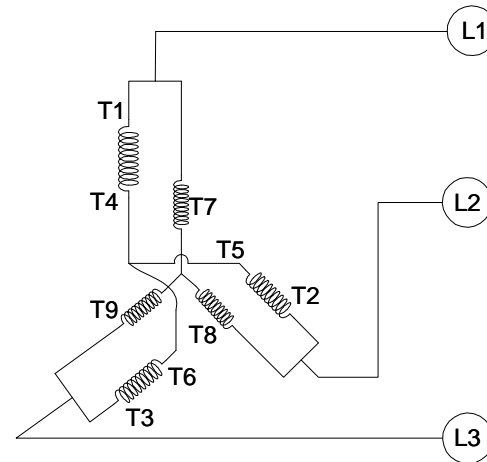
1. TO REVERSE ROTATION, INTERCHANGE ANY TWO LINE CONNECTIONS TO L1, L2, OR L3.
2. CONNECTION DIAGRAM-NAMEPLATE DD10038

A

A

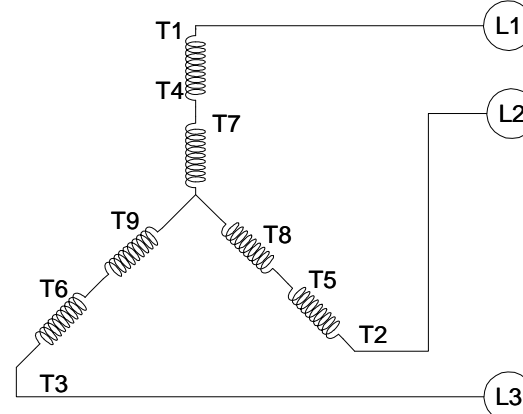
CCW LOW VOLTAGE

001



CCW HIGH VOLTAGE

002



DRAWING REVISION A	REVISION BY G. RODRIGUEZ	DATE 07-06-2016
ECO ECO-0149482	APPROVED BY R. VALENZUELA	DATE 07-06-2016
ECO DESCRIPTION NEW RELEASE		
<small>COPYRIGHT REGAL BELOIT AMERICA, INC. ALL RIGHTS RESERVED. PROPRIETARY AND CONFIDENTIAL INFORMATION - THIS DOCUMENT IS THE PROPERTY OF REGAL BELOIT AMERICA, INC. ("OWNER") AND CONTAINS OWNER'S PROPRIETARY INFORMATION. ANY PERSON, CORPORATION OR OTHER FIRM RECEIVING IT IS DEEMED, BY RECEIVING IT, TO AGREE THAT IT, AND/OR ANY PART OF IT, SHALL NOT BE DISCLOSED TO ANY PERSON, CORPORATION OR OTHER ENTITY, DUPLICATED, AND/OR USED, EXCEPT AS EXPRESSLY APPROVED IN WRITING IN ADVANCE BY OWNER. THIS DOCUMENT SHALL BE RETURNED TO OWNER UPON REQUEST. IT MAY BE SUBJECT TO CERTAIN RESTRICTIONS UNDER APPLICABLE EXPORT CONTROL LAWS AND REGULATIONS.</small>		

TOLERANCES UNLESS OTHERWISE SPECIFIED:			
DEC.	INCH	mm	ANGLE
.X	±0.1	[±2.5]	±0.5°
.XX	±0.01	[±0.25]	
.XXX	±0.005	[±0.127]	
.XXXX	±0.0005	[±0.0127]	
REMOVE BURRS & BREAK SHARP			
EDGES: .003/.015 [.076/.381]			
CORNER FILLETS: .02 [.51]			
MACHINED SURFACES: 125/3.2			
mm SHOWN IN [BRACKETS]			

DRAWN BY G. RODRIGUEZ	DATE 07-06-2016
APPROVED BY R. VALENZUELA	DATE 07-06-2016
REFERENCE SKT52A105383CA	THIRD ANGLE PROJECTION

Regal Beloit America, Inc.	
DESCRIPTION CONN DIAGRAM-EXTERNAL	
MATERIAL	PROCESS/FINISH
SIZE B	DRAWING NUMBER CDTD103
SHEET 1 OF 1	



P.O. BOX 8003
WAUSAU, WI 54401-8003
PH. 715-675-3311

CERTIFICATION DATA SHEET

DATA VOLTS: 460

CONN. DIAGRAM: CDDTD103
OUTLINE: OL56100134-001
WINDING: ZT6139

CAT #: LM34140

R2 3

TYPICAL MOTOR PERFORMANCE DATA

HP	KW	SYNC RPM	FL RPM	FRAME	ENCLOSURE	TYPE	KVA CODE	DESIGN	
1	0.75	1200	1160	56HZ	EPFC	TFR	L	B	
PH	HZ	VOLTS	AMPS	START TYPE	DUTY	INSL	S.F.	AMB	ELEV.
3	60	230/460	3.8/1.9	ACROSS THE LINE	CONT	B	1.15	40	3300
F.L. EFF	82.5	3/4 LD EFF	81.5	1/2 LD EFF	78.5	GTD EFF	80.0	ELECT. TYPE	SO CAGE IND RUN
F.L. PF	60.0	3/4 LD PF	50.0	1/2 LD PF	38.0				
F.L. TORQUE	LR AMPS @ 460 V	11.8	13.1	LB-FT	291%	18.4	LB-FT	F.L. RISE (°C)	
4.5	LB-FT							409%	40
PRESSURE @ 3	POWER	ROTOR WK ²	MAX LOAD WK ²	SAFE STALL TIME	STARTS/HOUR	MOTOR WGT			
62	DBA	71	DBA	0.14	LB-FT ²	20	SEC.	0	50
									LB.

*** SUPPLEMENTAL INFORMATION ***

DE BRACKET TYPE	ODE BRACKET TYPE	MOUNT TYPE	MOTOR ORIENTATION	SEVERE DUTY	HAZARDOUS LOCATION	DRIP COVER	SCREENS	PAINT
STANDARD	STANDARD	RIGID	HORIZONTAL	NO	NONE	NO	NONE	GRAY (POWDER)
BEARINGS	GREASE	SHAFT TYPE	SPECIAL DE	SPECIAL ODE	SHAFT MATERIAL	FRAME MATERIAL		
DE	ODE	BALL	POLYREX EM	SGL SPL EXT	SEE SPL INST	NONE	1144 STRESSPROOF (C-223)	ROLLED STEEL
#VALUE!	#####							
THERMOSTATS	PROTECTORS	WDG RTD's	BRG RTD's	THERMISTORS	CONTROL	SPACE HEATERS		
NONE	NOT	NONE	NONE	NONE	FALSE	NA		
R1 (ohms/ph)	R2 (ohms/ph)	X1 (ohms/ph)	X2 (ohms/ph)	Xm (ohms/ph)	VIBRATION (in/sec)	FLOAT		
8.963	7.545	14.268	16.679	210.837	0.150	ODE		

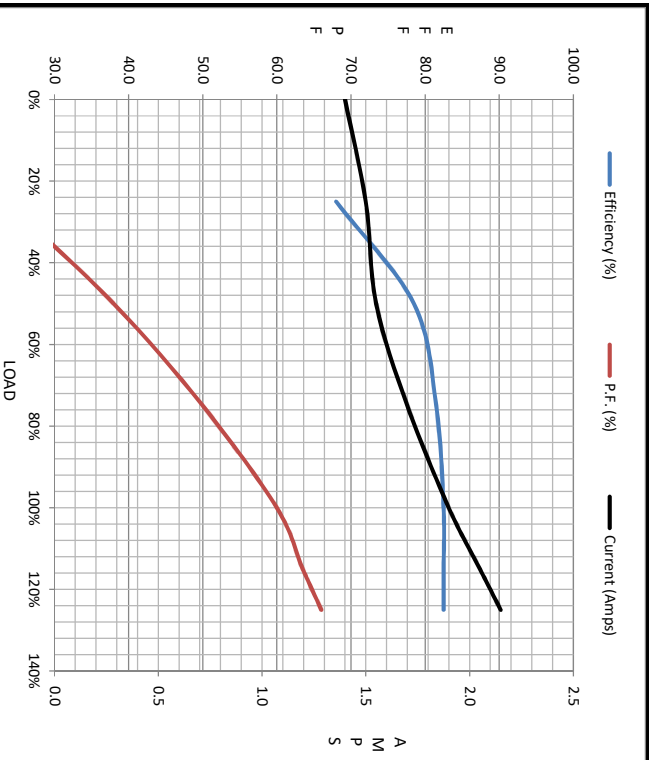
* N O T E S *		INVERTER TORQUE: NONE
		INV. HP SPEED RANGE: NONE
		ENCODER: NONE
		NONE
		BRAKE: NONE
		NONE
		FT-LB: NA
		NONE
		VOLTAGE: NONE
		NONE
		UL: VINS, CONST UL REC

DATE:	1/30/2018	HZ:
-------	-----------	-----



Motor Load Data						
Load	0%	25%	50%	75%	100%	LR
Current (Amps)	1.40	1.50	1.55	1.70	1.90	11.8
Torque (ft-lb)	0.00	1.10	2.20	3.4	4.5	13.1
RPM	1200	1190	1180	1170	1160	0
Efficiency (%)		68.0	78.5	81.5	82.5	
P.F. (%)	7.0	23.5	38.0	50.0	60.0	60.0

Motor Speed Data						Information Block																										
	LR	Pull-Up	BD	Rated	Idle	HP	Sync. RPM	Frame	Enclosure	Construction	Voltage	Frequency	Design	LR Code letter	Service Factor	Temp Rise @ FL	Duty	Ambient	Elevation	Rotor/Shaft wk ²	Ref Wdg	Sound Pressure @ 1M	VFD Rating	Outline Dwg	Conn. Diag	Additional Specifications:	R1	R2	X1	X2	Xm	
Speed (RPM)	0	600	820	1160	1200	1.0	1200	145	EPFC	TFR	230/460	60	B	L	1.15	40	CONT	40	1,000	0.14	ZT6139 R2	62	NONE	OL56100134-001	CDTD108		8.9630	7.5450	14.2880	16.6790	210.8370	
Current (Amps)	11.8	10.6	7.5	1.90	1.40																											
Torque (ft-lb)	13.1	11.8	18.4	4.5	0.00																											



EQUIV CKT (OHMS / PHASE)	
R1	R2
8.9630	7.5450
X1	X2
14.2880	16.6790
Xm	210.8370

