

PRODUCT INFORMATION PACKET



Model No: SRD4B0.33T61
Catalog No: LM34049
1/3..1800.S56.ODP.230/460.3.60....1.25S.F....SRD4S0.33T61
Open Drip Proof (ODP)



Regal and Leeson are trademarks of Regal Beloit Corporation or one of its affiliated companies.
©2018 Regal Beloit Corporation, All Rights Reserved. MC017097E





Nameplate Specifications

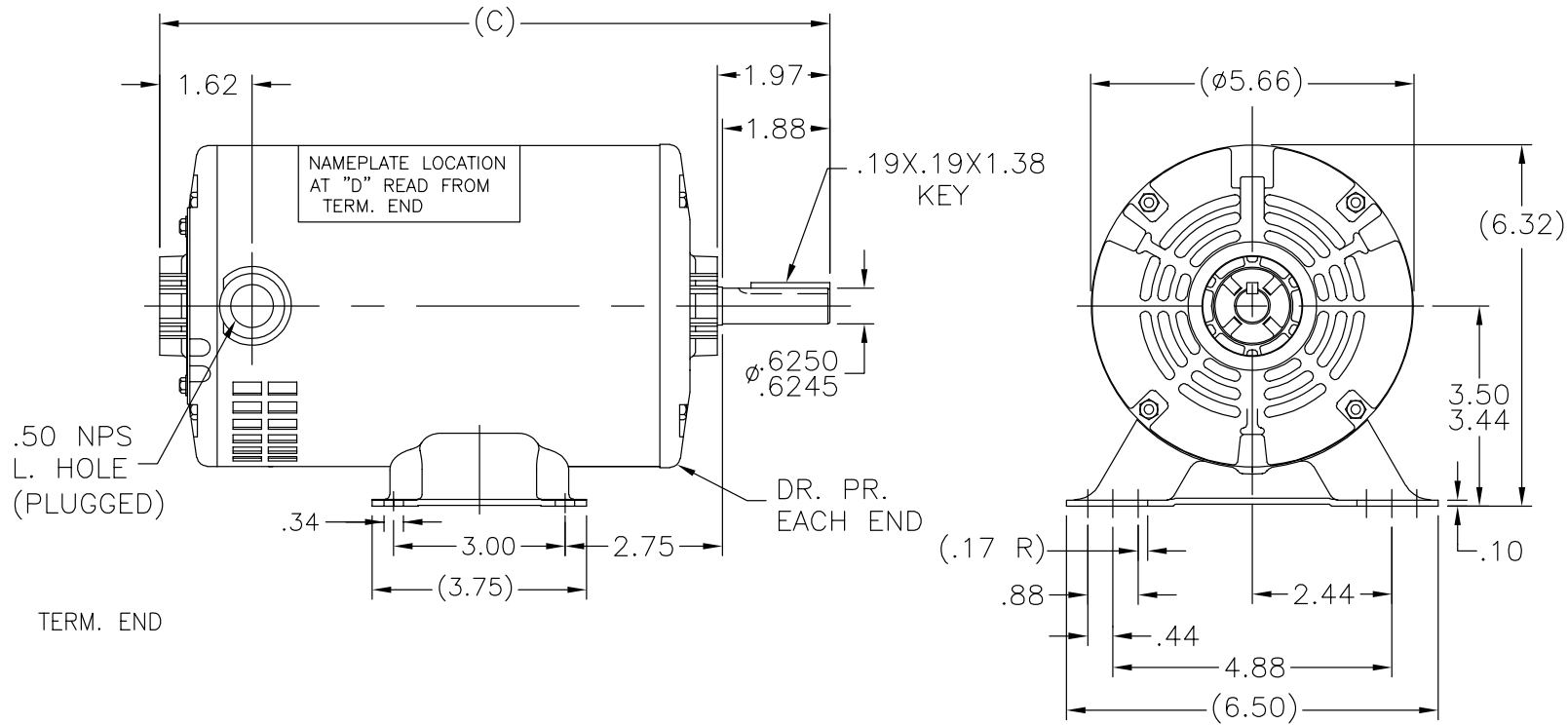
Output HP	0.33 Hp	Output KW	0.25 kW
Frequency	60 Hz	Voltage	230/460 V
Current	1.2/0.60 A	Speed	1725 rpm
Service Factor	1.35	Phase	3
Efficiency	73.4 %	Duty	Continuous
Insulation Class	B	Design Code	B
KVA Code	M	Frame	S56
Enclosure	Drip Proof	Overload Protector	No
Ambient Temperature	40 °C	Drive End Bearing Size	6203
Opp Drive End Bearing Size	6203	UL	Recognized
CSA	Y	CE	Y
IP Code	22		

Technical Specifications

Electrical Type	Squirrel Cage Inverter Rated	Starting Method	Line Or Inverter
Poles	4	Rotation	Reversible
Mounting	Rigid base	Motor Orientation	HORIZONTAL
Drive End Bearing	BALL	Opp Drive End Bearing	BALL
Frame Material	Rolled Steel	Shaft Type	NEMA 56
Overall Length	11.22 in	Frame Length	7.25 in
Shaft Diameter	0.625 in	Shaft Extension	1.88 in
Assembly/Box Mounting	F1 ONLY		
Outline Drawing	A-SS404127-725	Connection Diagram	A-EE7308-REGAL

This is an uncontrolled document once printed or downloaded and is subject to change without notice. Date Created: 10/15/2018

SS404127



DASH	C	DASH	C	DASH	C
600	9.97	700	10.97	775	11.72
625	10.22	725	11.22	800	11.97
650	10.47	750	11.47	875	12.72

NO.	REVISION	BY & DATE	TOLERANCES UNLESS SPECIFIED		REGAL™ Regal Beloit America, Inc.	DRAWN PST 12/19/2014			
			DEC.	INCHES		CHK	AP	12/19/2014	
			.X	±.1	TITLE OUTLINE 56 FR. - DP.	APPD	SCALE	3=8	
			.XX	±.03		REF			
			.XXX	±.005		MAT'L.	FMF		
			.XXXX	±.0005		FINISH	PREV		
			ANG	±7'30"					
THIS DRAWING IN DESIGN AND DETAIL IS OUR PROPERTY AND MUST NOT BE USED EXCEPT IN CONNECTION WITH OUR WORK ALL RIGHTS OF DESIGN AND INVENTION ARE RESERVED THIS IS AN ELECTRONICALLY GENERATED DOCUMENT - DO NOT SCALE THIS PRINT			RFP	CAD FILE SS404127	SIZE	DRAWING NO.	PAGE	OF	REV.
			DIST	WP	A	SS404127			

