

PRODUCT INFORMATION PACKET



Model No: SPD4B0.25T61
Catalog No: LM34048
1/4, 1800, DP, 48, 3/60/230/460
Open Drip Proof (ODP)



Regal and Leeson are trademarks of Regal Beloit Corporation or one of its affiliated companies.

©2018 Regal Beloit Corporation, All Rights Reserved. MC017097E





Nameplate Specifications

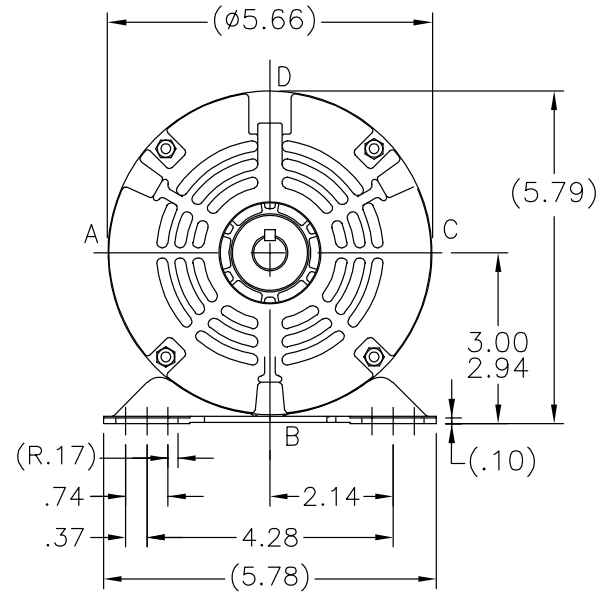
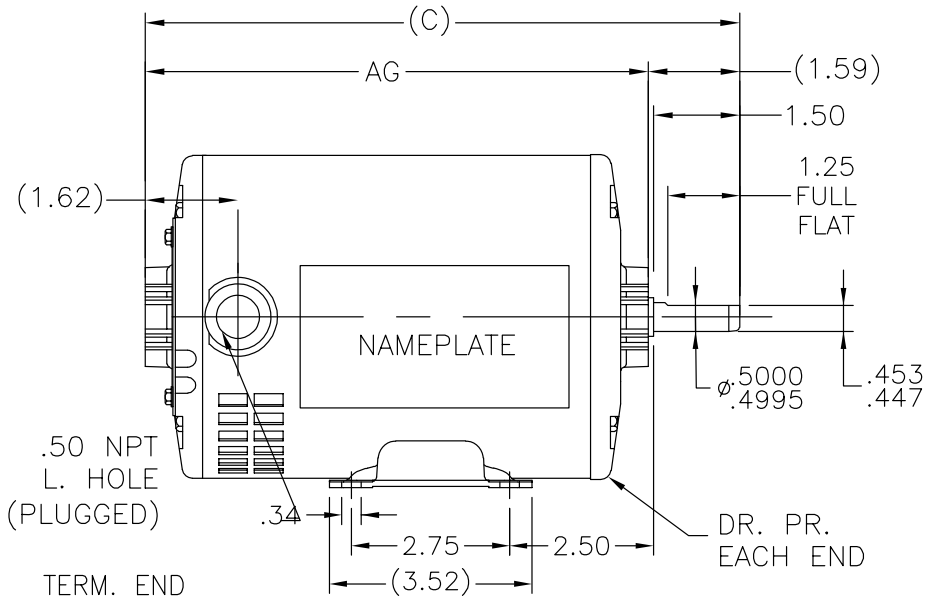
Output HP	0.25 Hp	Output KW	0.19 kW
Frequency	60 Hz	Voltage	230/460 V
Current	1.0/0.50 A	Speed	1725 rpm
Service Factor	1.35	Phase	3
Efficiency	69.5 %	Duty	Continuous
Insulation Class	B	Design Code	B
KVA Code	M	Frame	48
Enclosure	Drip Proof	Overload Protector	No
Ambient Temperature	40 °C	Drive End Bearing Size	6203
Opp Drive End Bearing Size	6203	UL	Recognized
CSA	Y	CE	Y
IP Code	22		

Technical Specifications


Electrical Type	Squirrel Cage Inverter Rated	Starting Method	Line Or Inverter
Poles	4	Rotation	Reversible
Mounting	Rigid base	Motor Orientation	HORIZONTAL
Drive End Bearing	BALL	Opp Drive End Bearing	BALL
Frame Material	Rolled Steel	Shaft Type	NEMA 48
Overall Length	10.34 in	Frame Length	6.75 in
Shaft Diameter	0.500 in	Shaft Extension	1.5 in
Assembly/Box Mounting	F1 ONLY		
Outline Drawing	A-SS404126-675	Connection Diagram	A-EE7308-REGAL

This is an uncontrolled document once printed or downloaded and is subject to change without notice. Date Created: 10/15/2018

SS404126



DASH	C	AG	DASH	C	AG
550	9.09	7.50	700	10.59	9.00
575	9.34	7.75	725	10.84	9.25
600	9.59	8.00	750	11.09	9.50
625	9.84	8.25	775	11.34	9.75
650	10.09	8.50	800	11.59	10.00
675	10.34	8.75			

		TOLERANCES UNLESS SPECIFIED		 Regal Beloit America, Inc.	DRAWN KPR 11/19/2014
		DEC.	INCHES		CHK AB 12/18/2014
		.X	±.1	TITLE OUTLINE 48 FRAME	APPD
		.XX	±.03		SCALE 1:1
		.XXX	±.005		REF 606-0029
A	CREATED NEW DRAWING	PVR 12/18/2014	AB .XXXX ±.0005	MAT'L.	FMF 048T17D11009
NO.	REVISION	BY & DATE	CHK ANG ±7'30"	FINISH	PREV
THIS DRAWING IN DESIGN AND DETAIL IS OUR PROPERTY AND MUST NOT BE USED EXCEPT IN CONNECTION WITH OUR WORK ALL RIGHTS OF DESIGN AND INVENTION ARE RESERVED THIS IS AN ELECTRONICALLY GENERATED DOCUMENT - DO NOT SCALE THIS PRINT				RFP	CAD FILE SS404126
				DIST WP	SIZE A
				DRAWING NO. SS404126	PAGE 1 OF 1
				REV. A	



NO.	REVISION	BY & DATE	CHK	ANG	±7'30"	FINISH	PREV
5	CHG TO REGAL LOGO	SL 09/10/2015	AB	DEC.	INCHES		
4	REVISED IEC NOTATIONS	MSG 11/15/2011	CMN	.X	±.1		
3	ADDED IEC NOTATIONS... (U1), (V1) ETC. MU95194	MSG 5/10/2010	MJS	.XX	±.02		
2	ADDED THE OPTIONAL CORD CONNECTION MU46318	RDH 04/24/2003	DRS	.XXX	±.005		
1	REDRAWN	RM 11/20/1990		.XXXX	±.0005		
TOLERANCES UNLESS SPECIFIED						DRAWN RM 11/20/1990	
REGAL™ Regal Beloit America, Inc.						CHK ML 11/21/1990	
TITLE CONNECTION DIAGRAM						APPD SAS 04/24/2003	
3Ø - DUAL VOLTAGE MOTOR						SCALE 1=1	
MAT'L.						REF	
CAD FILE ee7308						FMF	
RFP						PREV	
DIST WP						SIZE A	DRAWING NO. EE7308
THIS DRAWING IN DESIGN AND DETAIL IS OUR PROPERTY AND MUST NOT BE USED EXCEPT IN CONNECTION WITH OUR WORK ALL RIGHTS OF DESIGN AND INVENTION ARE RESERVED THIS IS AN ELECTRONICALLY GENERATED DOCUMENT - DO NOT SCALE THIS PRINT						PAGE OF	REV. 5



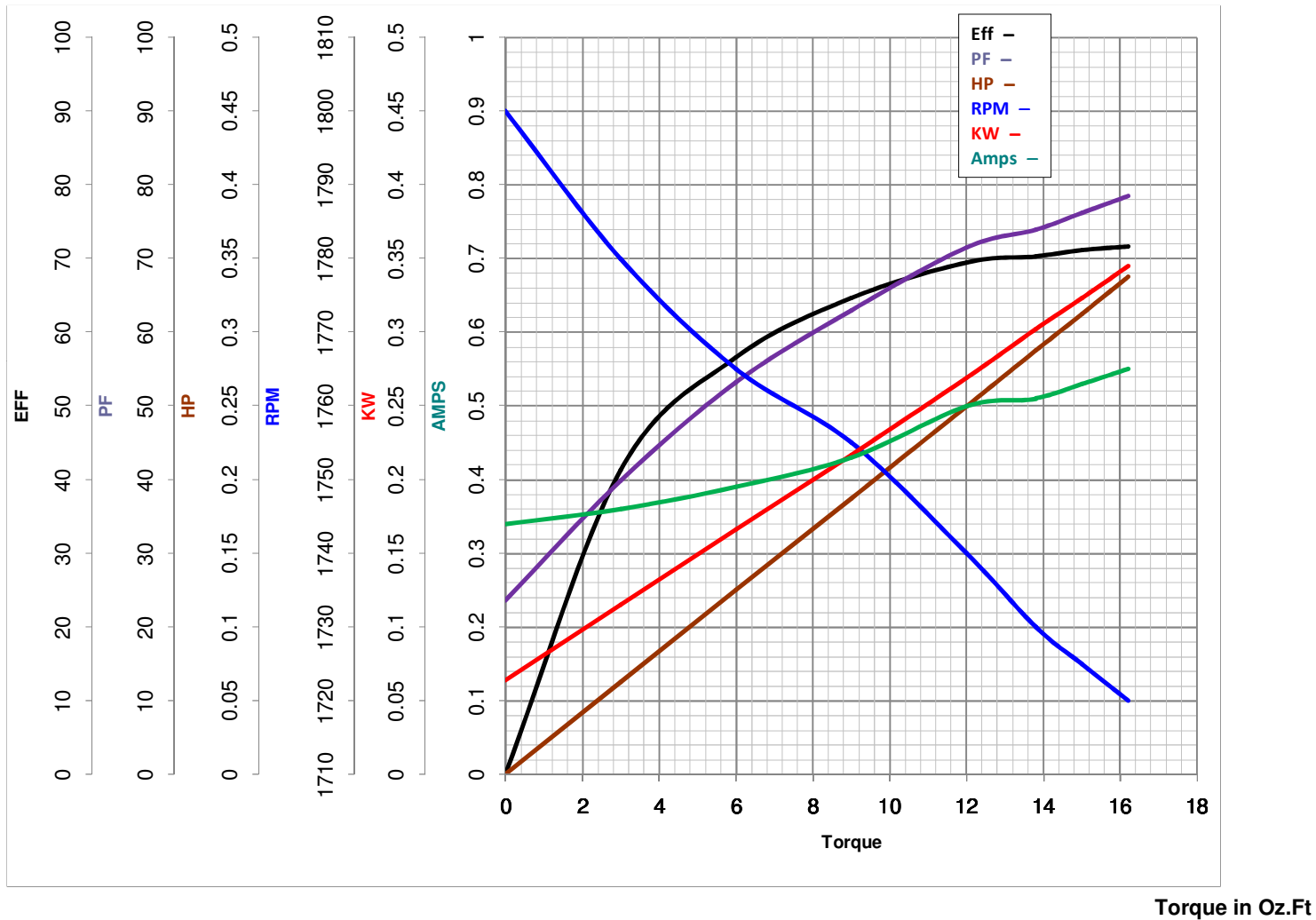
LEESON ELECTRIC CORPORATION
 TYPICAL PERFORMANCE CURVE for AC MOTOR

Model No LM34048

Catalog No LM34048A

Curve at 460 Volts HP 0.25&0.25 PHASE 3
60 HZ
0.25 HP VOLTS 230/460&190/380

HZ 60&50 RPM 1725&1425



FL TORQUE 12 Oz.Ft
 BD TORQUE 52.1 Oz.Ft
 LR TORQUE 47.8 Oz.Ft

FL AMPS 1.5
 PU TORQUE 44.8 Oz.Ft
 LR AMPS 3.2

WINDING TE484124-3

Date 6/5/2018