

PRODUCT INFORMATION PACKET



Model No: SSF4B2T61

Catalog No: LM33125

..2HP..1800RPM.145T.TEFC.230/460V.3PH.50/60Hz.CONT.40C.1.15SF.RIGID.SSF4B2T61.....None.....

Totally Enclosed Fan Cooled (TEFC)



Regal and Leeson are trademarks of Regal Beloit Corporation or one of its affiliated companies.

©2018 Regal Beloit Corporation, All Rights Reserved. MC017097E





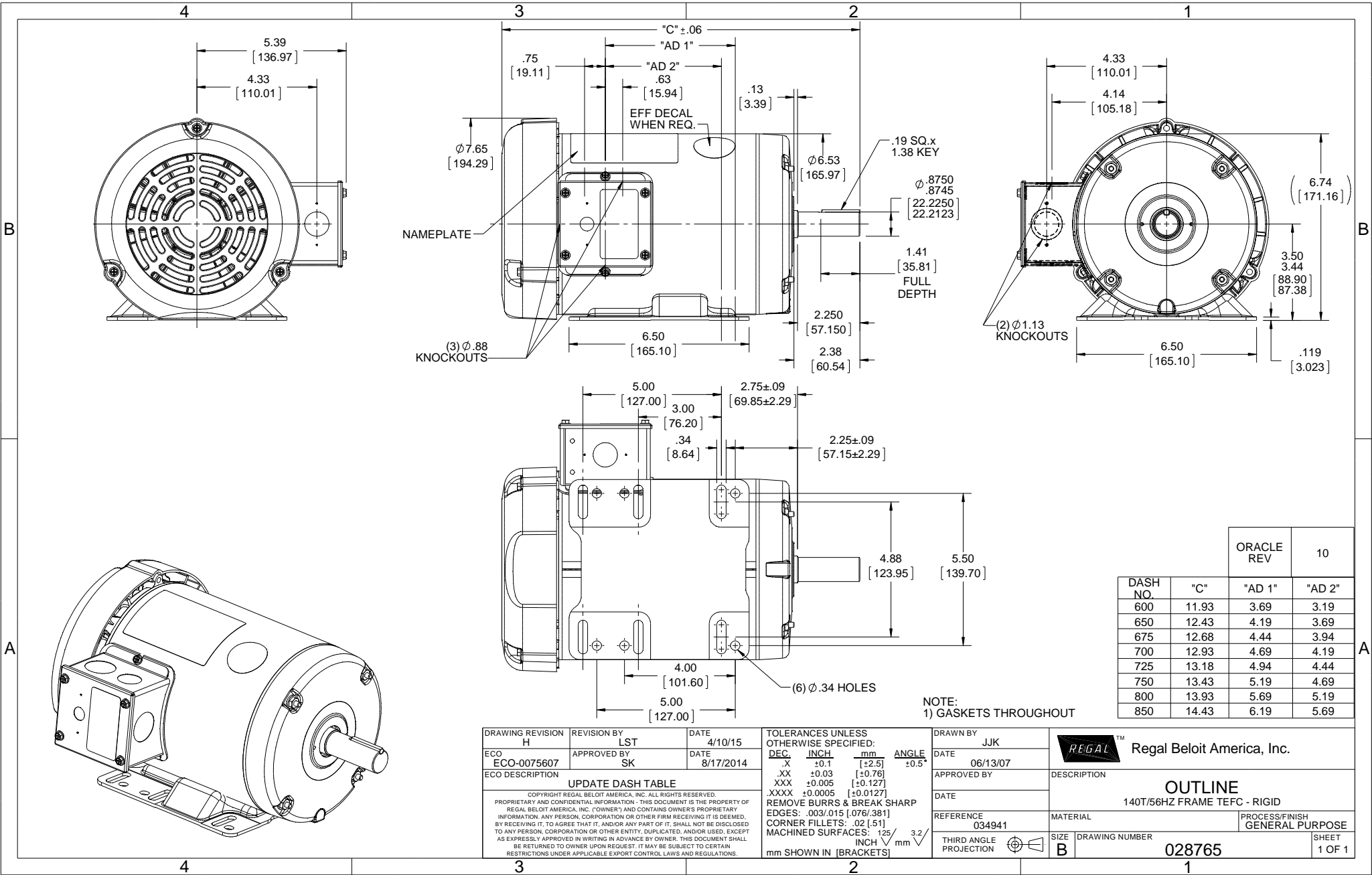
Nameplate Specifications

Output HP	2 Hp	Output KW	1.5 kW
Frequency	60 Hz	Voltage	230/460 V
Current	5.8/2.9 A	Speed	1725 rpm
Service Factor	1.15	Phase	3
Efficiency	86.5 %	Duty	Continuous
Insulation Class	F	Design Code	B
KVA Code	L	Frame	145T
Enclosure	Totally Enclosed Fan Cooled	Overload Protector	No
Ambient Temperature	40 °C	Drive End Bearing Size	6205
Opp Drive End Bearing Size	6203	UL	Recognized
CSA	Y	CE	Y
IP Code	43		

Technical Specifications

Electrical Type	Squirrel Cage Induction Run	Starting Method	Across The Line
Poles	4	Rotation	Reversible
Mounting	Rigid base	Motor Orientation	HORIZONTAL
Drive End Bearing	BALL	Opp Drive End Bearing	BALL
Frame Material	Rolled Steel	Shaft Type	T
Overall Length	13.93 in	Frame Length	8.00 in
Shaft Diameter	0.875 in	Shaft Extension	2.25 in
Assembly/Box Mounting	F1 ONLY		
Outline Drawing	028765-800	Connection Diagram	005010.01LN

This is an uncontrolled document once printed or downloaded and is subject to change without notice. Date Created: 10/15/2018

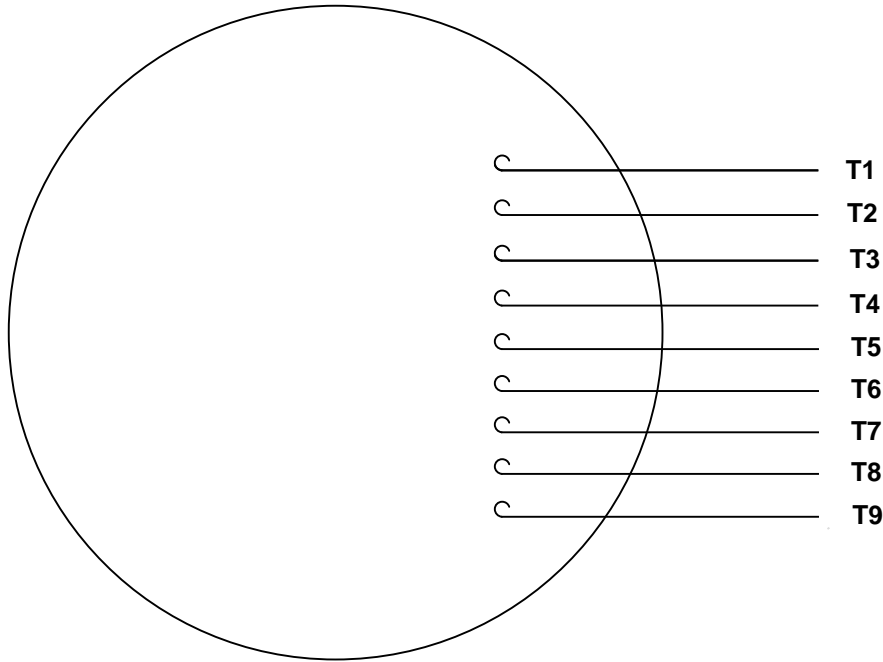


DASH NO.	"C"	"AD 1"	"AD 2"	ORACLE REV	10
600	11.93	3.69	3.19		
650	12.43	4.19	3.69		
675	12.68	4.44	3.94		
700	12.93	4.69	4.19		
725	13.18	4.94	4.44		
750	13.43	5.19	4.69		
800	13.93	5.69	5.19		
850	14.43	6.19	5.69		

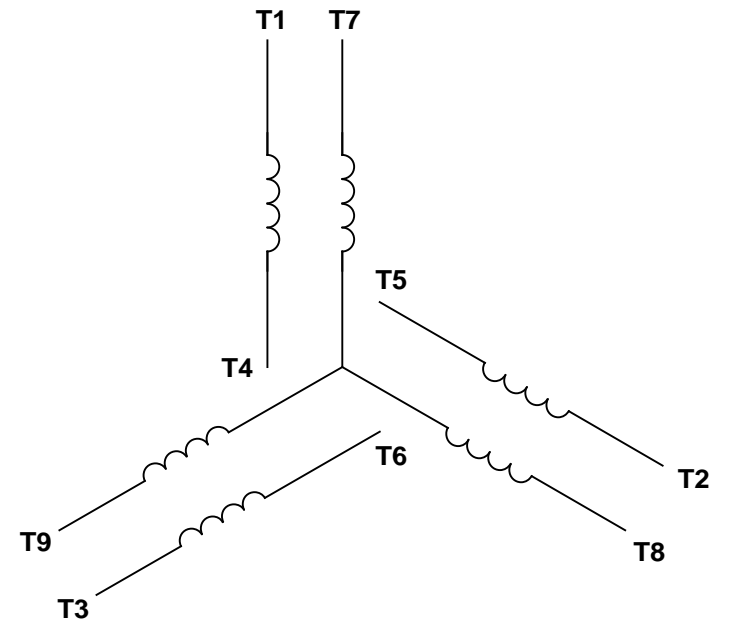
NOTE:
1) GASKETS THROUGHOUT

DRAWING REVISION H	REVISION BY LST	DATE 4/10/15	TOLERANCES UNLESS OTHERWISE SPECIFIED: DEC INCH mm ANGLE X ±0.1 [+2.5] ±0.5° XX ±0.03 [+0.76] XXX ±0.005 [+0.127] .XXXX ±0.0005 [+0.0127]	DRAWN BY JJK	Regal Beloit America, Inc.
ECO ECO-0075607	APPROVED BY SK	DATE 8/17/2014	REMOVE BURRS & BREAK SHARP EDGES: .003/.015 [.076/.381] CORNER FILLETS: .02 [.51] MACHINED SURFACES: 125 INCH 3.2 mm SHOWN IN [BRACKETS]	DATE 06/13/07	
ECO DESCRIPTION UPDATE DASH TABLE				APPROVED BY	DESCRIPTION OUTLINE 140T/56HZ FRAME TEFC - RIGID
COPYRIGHT REGAL BELOIT AMERICA, INC. ALL RIGHTS RESERVED. PROPRIETARY AND CONFIDENTIAL INFORMATION - THIS DOCUMENT IS THE PROPERTY OF REGAL BELOIT AMERICA, INC. (OWNER) AND CONTAINS OWNER'S PROPRIETARY INFORMATION. ANY PERSON, CORPORATION OR OTHER FIRM RECEIVING IT IS DEEMED, BY RECEIVING IT, TO AGREE THAT IT, AND/OR ANY PART OF IT, SHALL NOT BE DISCLOSED TO ANY PERSON, CORPORATION OR OTHER ENTITY, DUPLICATED, AND/OR USED, EXCEPT AS EXPRESSLY APPROVED IN WRITING IN ADVANCE BY OWNER. THIS DOCUMENT SHALL BE RETURNED TO OWNER UPON REQUEST. IT MAY BE SUBJECT TO CERTAIN RESTRICTIONS UNDER APPLICABLE EXPORT CONTROL LAWS AND REGULATIONS.				DATE	MATERIAL
				REFERENCE 034941	PROCESS/FINISH GENERAL PURPOSE
				THIRD ANGLE PROJECTION	SIZE B
				DRAWING NUMBER 028765	SHEET 1 OF 1

VIEW FROM OUTSIDE OF MOTOR AT SWITCH END.




LINE LEADS



VOLTAGE	L1	L2	L3	JOIN & INSULATE
HIGH	T1	T2	T3	(T4, T7) (T5, T8) (T6, T9)
LOW	T1, T7	T2, T8	T3, T9	T4, T5, T6

RBC PROPRIETARY AND CONFIDENTIAL INFORMATION
 This document is the property of REGAL BELOIT CORPORATION ("RBC") including its subsidiaries and divisions and contains proprietary information of RBC. This document is loaned on the express condition that neither it nor the information contained therein shall be disclosed to others without the express written consent of RBC, and that the information shall be used by the recipient only as approved expressly by RBC. This document shall be returned to RBC upon its request. This document may be subject to certain restrictions under U.S. export control laws and regulations.

				TOLERANCES UNLESS SPECIFIED				DRAWN KMM 04/16/02	
				DEC	INCHES			CHK	
				.X	±.1			APPR	
				.XX	±.01			SCALE 1:1	
				.XXX	±.005	TITLE EXTERNAL WIRING DIAGRAM 3 PHASE W/O PROTECTOR		REF FIG. 2-51	
--	REDRAWN IN SOLIDWORKS	VJB 02/08/11		.XXXX	±.0005	MAT'L DECAL - 004014		FMF	
NO	REVISION	BY & DATE	CHK	ANG	±1/2°	FINISH		PAGE	OF
			RFP	04/12/02	PREV	SIZE	DRAWING NO		REV
			NETWORK FILE NAME 00501001LN			A	005010-01LN		--

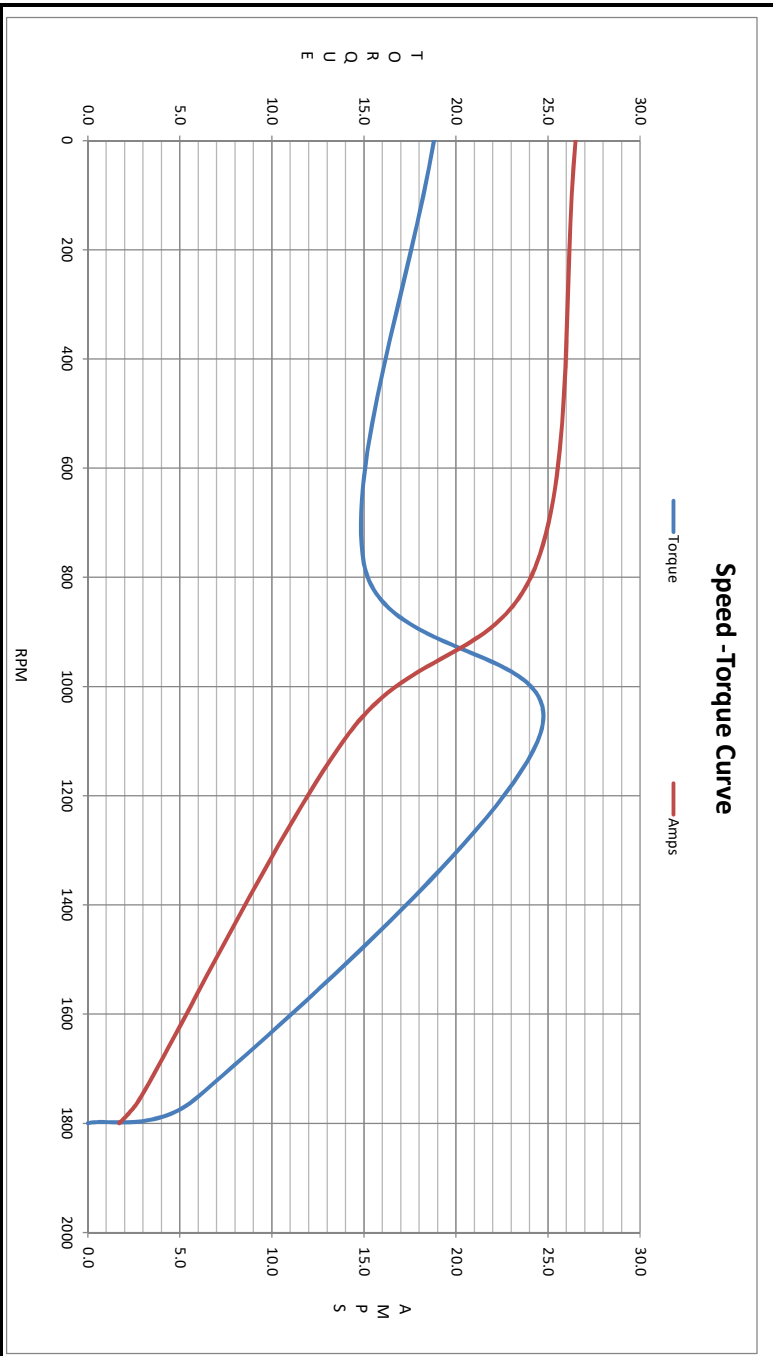
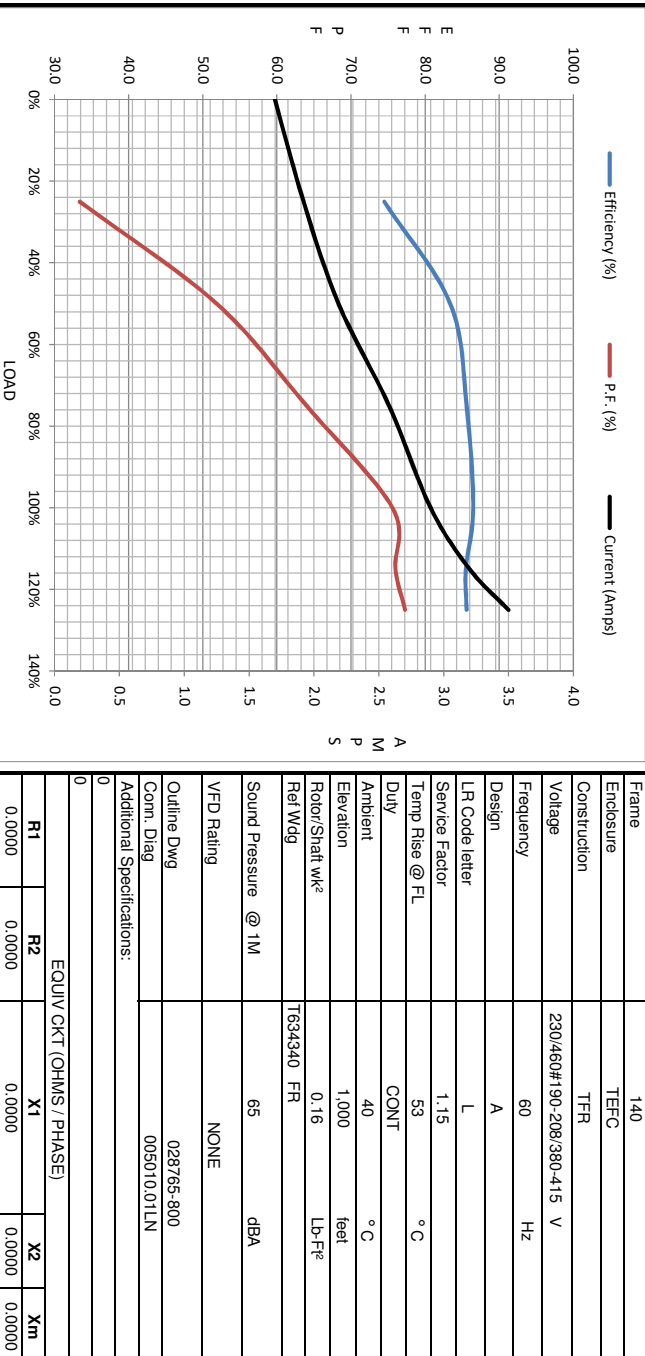
2/11/2011 2:14:20 PM

Dealers Industrial Equipment -- Visit <https://DealersElectric.com> or call (908) 688-1966 for all of your electric motor & VFD needs!



Motor Load Data					Motor Speed Data				
Load	0%	25%	50%	75%	100%	115%	125%	LR	
Current (Amps)	1.70	1.92	2.19	2.58	2.90	3.2	3.5	26.5	
Torque (ft-lb)	0.00	1.50	3.0	4.5	6.0	6.5	7.5	18.8	
RPM	1800	1787	1774	1763	1751	1730	1732	0	
Efficiency (%)		74.5	83.4	85.6	86.5	85.5	85.6		
P.F. (%)	7.1	33.4	51.9	64.0	75.6	76.0	77.3	42.0	

Motor Speed Data					Information Block																					
LR	Pull-Up	BD	Rated	Idle	HP	Sync. RPM	Frame	Enclosure	Construction	Voltage	Frequency	Design	LR Code letter	Service Factor	Temp Rise @ FL	Duty	Ambient	Elevation	Rotor/Shaft wk²	Ref Wdg	Sound Pressure @ 1M	VFD Rating	Outline Dwg	Conn. Diag	Additional Specifications:	
0	775	1085	1751	1800	2.0	1800	140	TEFC	TFR	230/460#190-208/380-415 V	60 Hz	A	L	1.15	53 °C	CONT	40 °C	1,000 feet	0.16 LB-Ft²	T634340 FR	65 dBA	NONE	028765-800	005010.011N		
Current (Amps)	26.5	24.4	14.2	2.90	1.70																					
Torque (ft-lb)	18.8	15.0	24.6	6.0	0.00																					



R1	R2	X1	X2	Xm
0.0000	0.0000	0.0000	0.0000	0.0000