

PRODUCT INFORMATION PACKET



Model No: SSD2B3T61

Catalog No: LM32731

LM32731..3HP..3490/2880RPM.145T.ODP.230/460V.3PH.60HZ.CONT.40C.1.25/1.25.RIGID.SSD2B3T61.....
.None.....

Open Drip Proof (ODP)



Regal and Leeson are trademarks of Regal Beloit Corporation or one of its affiliated companies.

©2018 Regal Beloit Corporation, All Rights Reserved. MC017097E





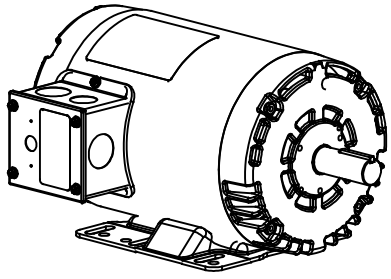
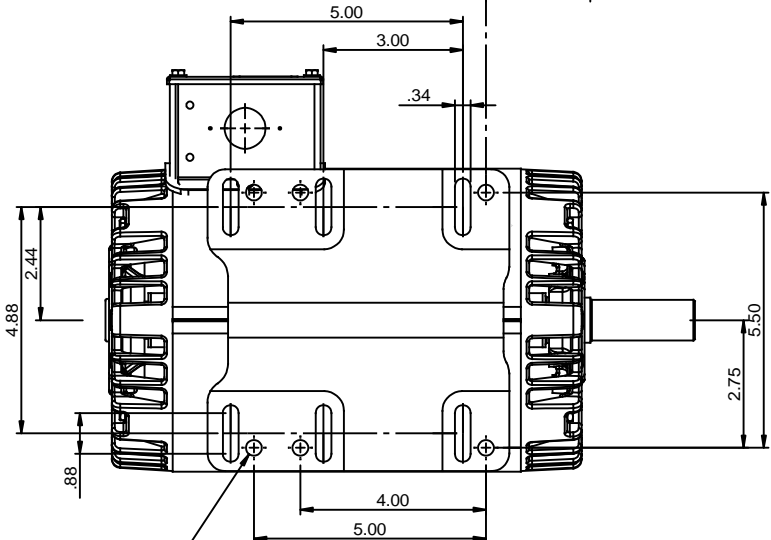
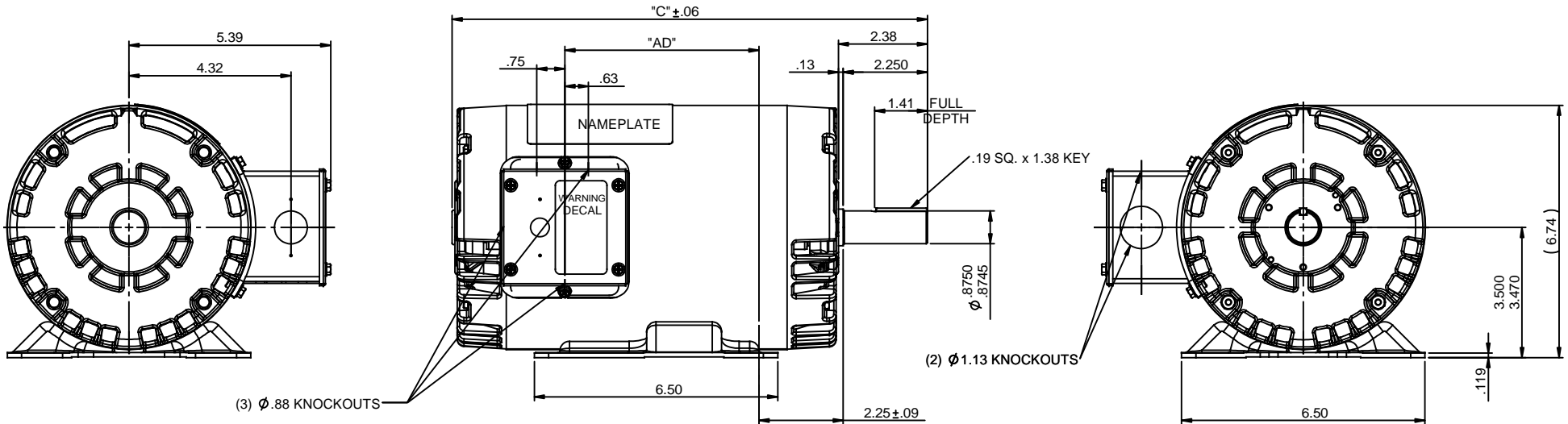
Nameplate Specifications

Output HP	3 Hp	Output KW	2.2 kW
Frequency	60 Hz	Voltage	230/460 V
Current	7.2/3.6 A	Speed	3490 rpm
Service Factor	1.25	Phase	3
Efficiency	86.5 %	Duty	Continuous
Insulation Class	F	Design Code	B
KVA Code	K	Frame	145T
Enclosure	Drip Proof	Overload Protector	No
Ambient Temperature	40 °C	Drive End Bearing Size	6205
Opp Drive End Bearing Size	6203	UL	Recognized
CSA	Y	CE	Y
IP Code	22		

Technical Specifications

Electrical Type	Squirrel Cage Induction Run	Starting Method	Across The Line
Poles	2	Rotation	Reversible
Mounting	Rigid base	Motor Orientation	HORIZONTAL
Drive End Bearing	BALL	Opp Drive End Bearing	BALL
Frame Material	Rolled Steel	Shaft Type	T
Overall Length	12.70 in	Frame Length	7.75 in
Shaft Diameter	0.875 in	Shaft Extension	2.25 in
Assembly/Box Mounting	F1 ONLY		
Outline Drawing	028859LN-775	Connection Diagram	005010.20LN

This is an uncontrolled document once printed or downloaded and is subject to change without notice. Date Created: 10/15/2018



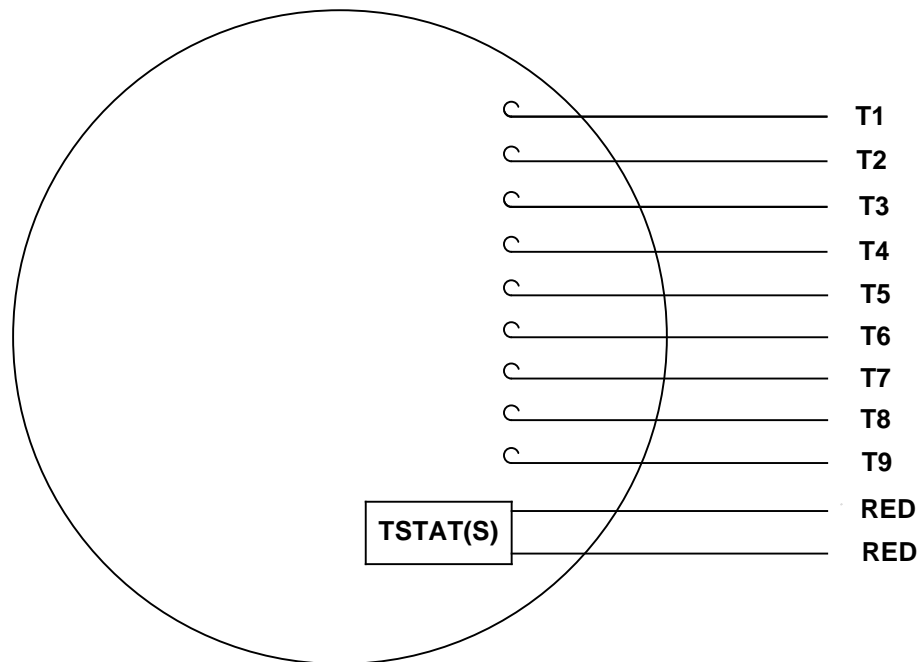
DASH NO.	"C"	"AD"
600	11.19	3.69
650	11.69	4.16
700	12.19	4.69
750	12.69	5.19
800	13.19	5.69
850	13.69	6.19
900	14.19	6.69

REVISION		BY & DATE	CHK	ANG	±1/2"	FINISH	PREV	SIZE	DRAWING NO	REV
THIRD ANGLE PROJECTION								B	028859LN	

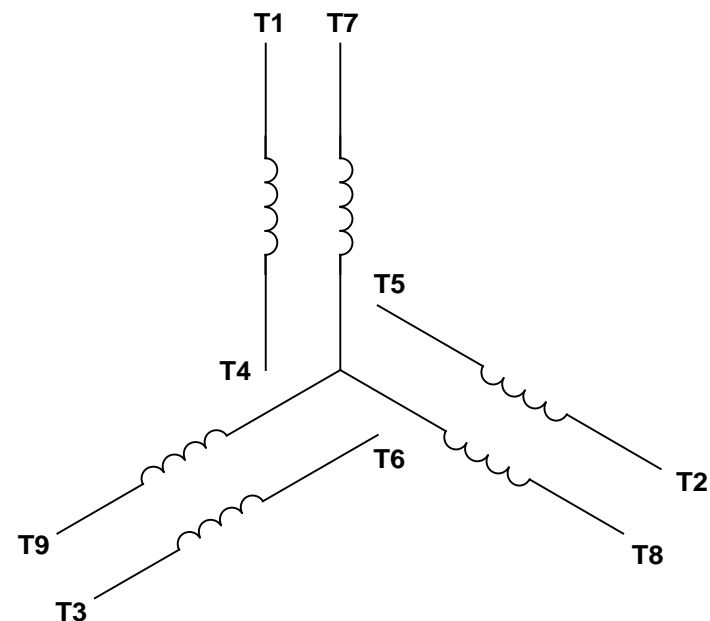
TOLERANCES UNLESS SPECIFIED		INCHES		TITLE	OUTLINE - 140T/56HZ FRAME OPEN DRIP PROOF - RIGID	REF	MAT'L	PAGE	1	OF	1
DEC											
X	±.1										
.XX	±.03										
.XXX	±.005										
.XXXX	±.0005										

DRAWN	JD 05/13/2011
CHK	
APPR	
SCALE	3:8
REF	028859ME
FMF	LM32731
NETWORK FILE NAME	028859LN

VIEW FROM OUTSIDE OF MOTOR AT SWITCH END.




LINE LEADS



VOLTAGE	L1	L2	L3	JOIN & INSULATE
HIGH	T1	T2	T3	(T4, T7) (T5, T8) (T6, T9)
LOW	T1, T7	T2, T8	T3, T9	T4, T5, T6

RBC PROPRIETARY AND CONFIDENTIAL INFORMATION
 This document is the property of REGAL BELOIT CORPORATION ("RBC") including its subsidiaries and divisions and contains proprietary information of RBC. This document is loaned on the express condition that neither it nor the information contained therein shall be disclosed to others without the express written consent of RBC, and that the information shall be used by the recipient only as approved expressly by RBC. This document shall be returned to RBC upon its request. This document may be subject to certain restrictions under U.S. export control laws and regulations.

		TOLERANCES UNLESS SPECIFIED				DRAWN KK 3/17/2011	
		DEC	INCHES			CHK ST 3/17/2011	
		.X	±.1			APPR	
		.XX	±.01			SCALE 1:1	
		.XXX	±.005			REF 005010-20	
		.XXXX	±.0005	MAT'L DECAL - 004014 (TSTAT) - 080582			
NO	REVISION	BY & DATE	CHK	ANG ±1/2°	FINISH STOCK	PAGE	OF
THIRD ANGLE PROJECTION		RFP		PREV	SIZE	DRAWING NO	
		NETWORK FILE NAME 00501020LN		A		005010-20LN	
						REV	

5/17/2011 7:51:54 AM

Dealers Industrial Equipment -- Visit <https://DealersElectric.com> or call (908) 688-1966 for all of your electrical motor & VFD needs!



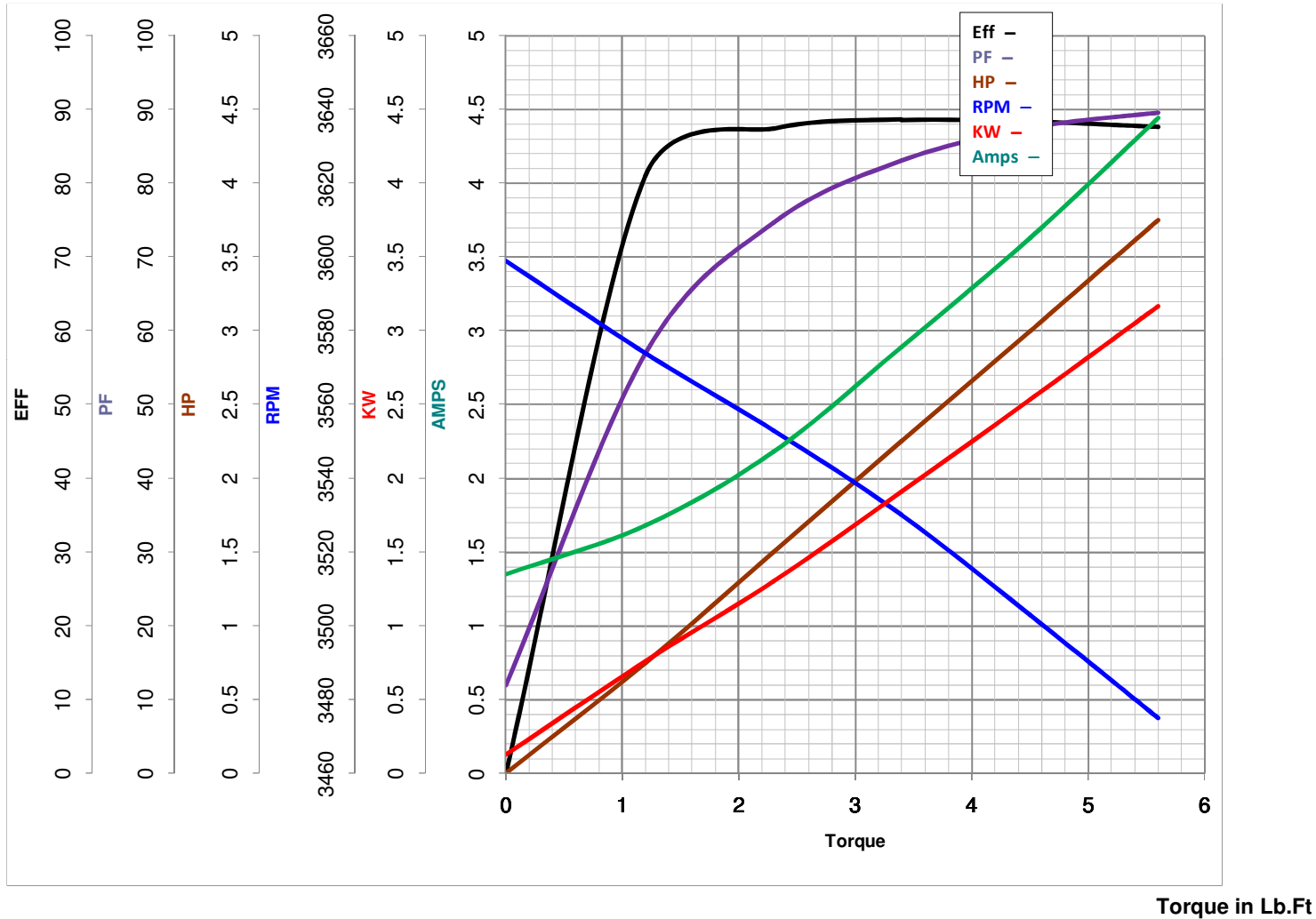
LEESON ELECTRIC CORPORATION
 TYPICAL PERFORMANCE CURVE for AC MOTOR

Model No LM32731

Curve at 460 Volts HP 3&3 PHASE 3
60 HZ
3 HP VOLTS 230/460&190/380

Catalog No LM32731A

HZ 60&50 RPM 3490&2880



FL TORQUE 4.5 Lb.Ft
 BD TORQUE 17.9 Lb.Ft
 LR TORQUE 15.2 Lb.Ft

FL AMPS 7.2/3.6
 PU TORQUE 14.3 Lb.Ft
 LR AMPS 30.9

WINDING T632175-3

Date 5/22/2018