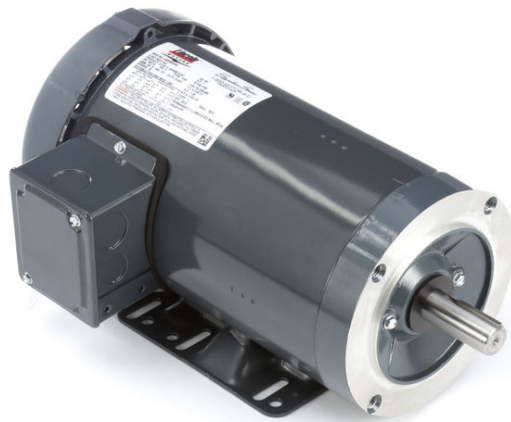


PRODUCT INFORMATION PACKET



Model No: SRN2H0.75TCN61
Catalog No: LM25139
3/4, 3600, TENV, 56C, 3/60/230/460
Automotive Duty



Regal and Leeson are trademarks of Regal Beloit Corporation or one of its affiliated companies.
©2018 Regal Beloit Corporation, All Rights Reserved. MC017097E





Nameplate Specifications

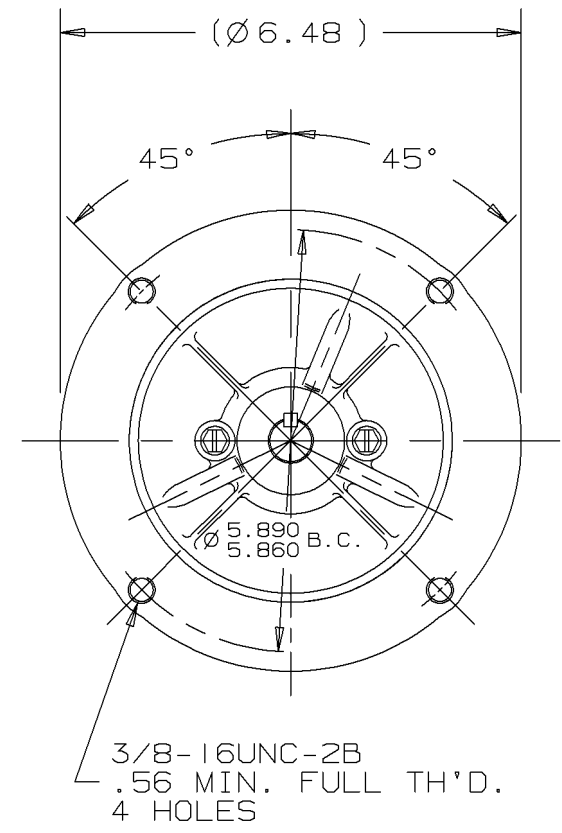
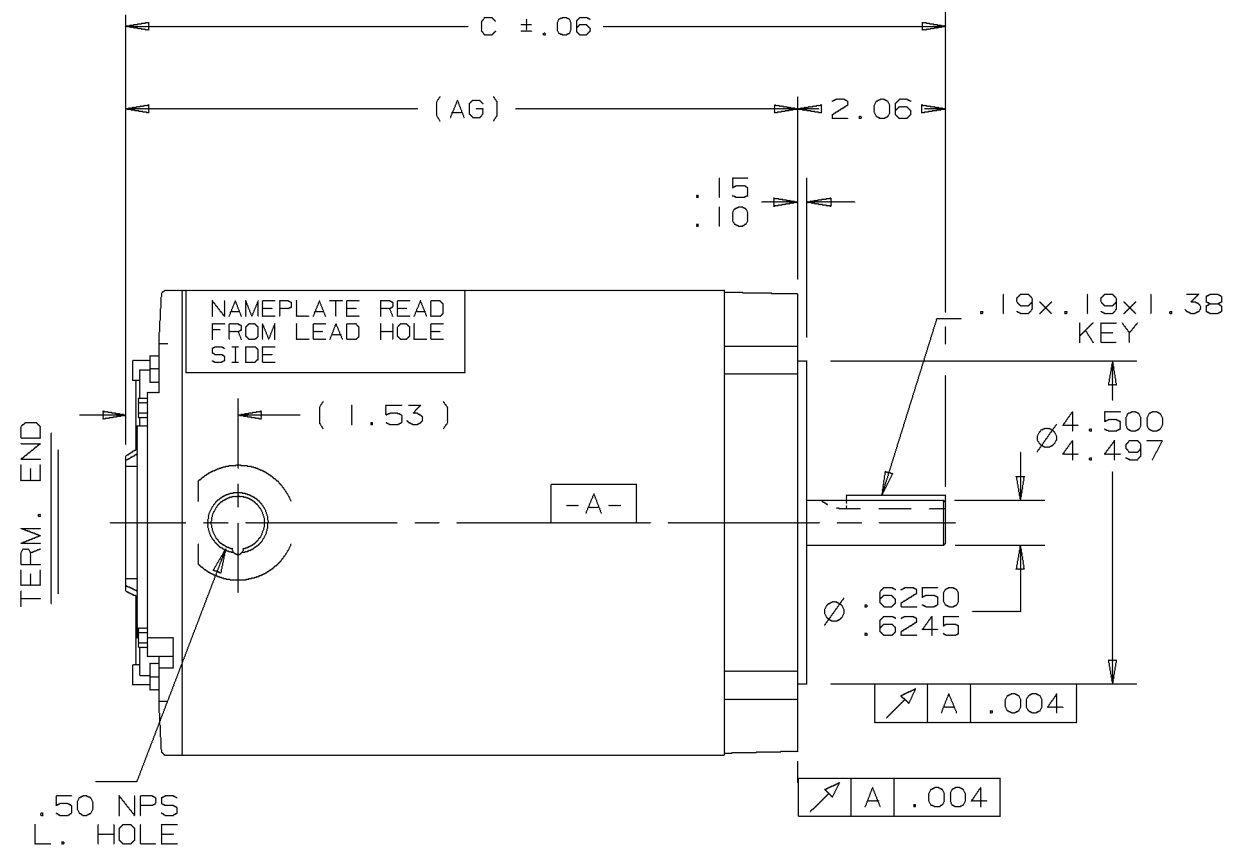
Output HP	0.75 Hp	Output KW	0.56 kW
Frequency	60 Hz	Voltage	230/460 V
Current	2.0/1.0 A	Speed	3450 rpm
Service Factor	1.15	Phase	3
Efficiency	84 %	Duty	Continuous
Insulation Class	F	Design Code	B
KVA Code	N	Frame	56C
Enclosure	Totally Enclosed Non Ventilated	Overload Protector	No
Ambient Temperature	65 °C	Drive End Bearing Size	203
Opp Drive End Bearing Size	203	UL	Recognized
CSA	Y	CE	N
IP Code	43		

Technical Specifications

Electrical Type	Squirrel Cage Induction Run	Starting Method	Across The Line
Poles	2	Rotation	Reversible
Mounting	Round	Motor Orientation	HORIZONTAL
Drive End Bearing	BALL	Opp Drive End Bearing	BALL
Frame Material	Rolled Steel	Shaft Type	T
Overall Length	11.94 in	Frame Length	8.06 in
Shaft Diameter	0.625 in	Shaft Extension	1.88 in
Assembly/Box Mounting	F1/F2 CAPABLE		
Outline Drawing	A-100104LN-806	Connection Diagram	A-EE7308-LN

This is an uncontrolled document once printed or downloaded and is subject to change without notice. Date Created: 10/15/2018

A-100104LN



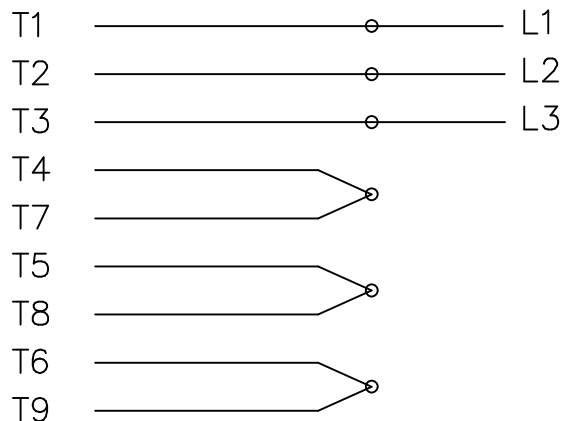
DASH	FR.	C	AG		DASH	FR.	C	AG	
606	56-60	9.94	7.87		806	56-80	11.94	9.87	
656	"-65	10.44	8.37		856	"-85	12.44	10.37	
706	"-70	10.94	8.87		906	"-90	12.94	10.87	
756	"-75	11.44	9.37		956	"-95	13.44	11.37	

						UNLESS OTHERWISE SPECIFIED DIMENSIONS ARE IN INCHES TOL. ON XX± .02 XXX± .005 XXXX± .0005 ANGLES± 7°30"					
						MAX. SURFACE ROUGHNESS UNLESS OTHERWISE NOTED	DRAWN BY TRB 09-07-1999		FINISH		
						MATERIAL		APPD BY ET 09-08-1999			
REV	DATE	CHANGE		NAME		PART NAME OUTLINE 56 FR - BB - TENV - C-FACE - 3Ø				DRWG NO A-100104LN	
						PURCHASED		CADD FILE NO.		100104LN	

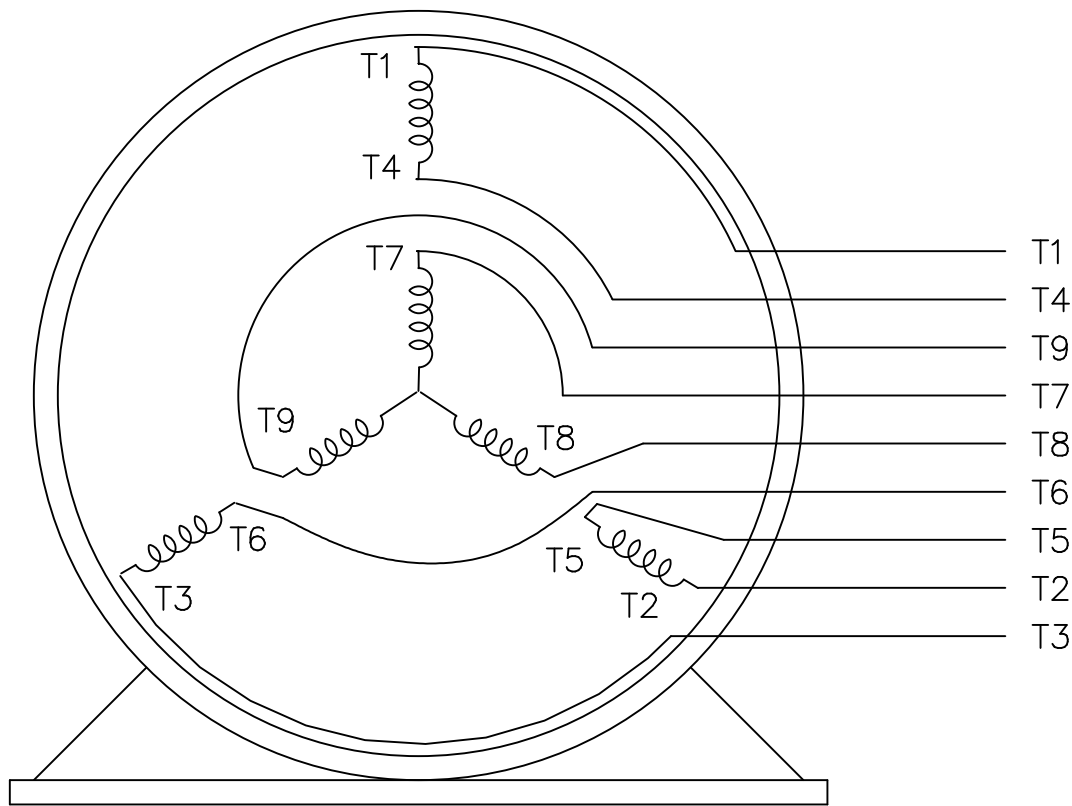
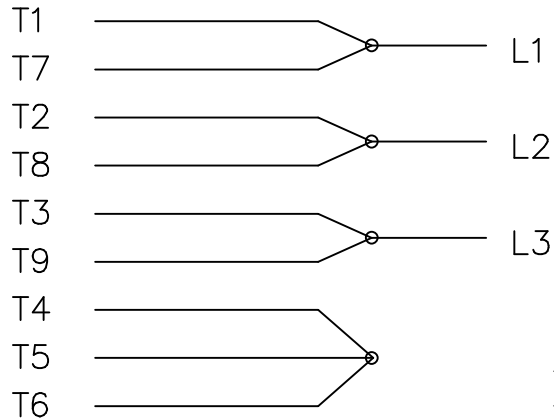
```
ERROR: undefined
OFFENDING COMMAND: en
STACK :
-dictionary-
/Script_MinNT_Compat
-dictionary-
```

THREE PHASE
DUAL VOLTAGE MOTOR

HIGH VOLTAGE



LOW VOLTAGE



VIEW OF TERMINAL END

REF.
WINDING DIAGRAM

T8Y, T2Y, T2BL, T4BX, T2EC, T2G
T6BZ, T2B, T6BL, T4AV, T6B, T4B

OPTIONAL CORD
CONNECTION

L1 — WHITE
L2 — RED
L3 — BLACK

NO.	REVISION	BY & DATE	CHK	TOLERANCES UNLESS SPECIFIED		FINISH	DRAWN	DATE			
				DEC.	INCHES						
				.X	±.1		BLR	06/11/1999			
							CHK	ML 06/18/1999			
							APPD	GK 06/18/1999			
3	ADDED THE OPTIONAL CORD CONNECTION MU46318	RDH 04/24/2003	DRS	.XX	±.02	TITLE CONNECTION DIAGRAM		SCALE 1=1			
2	RE-ISSUE, ADDED '-' TO PART NUMBER	BLR 08/09/1999	GK	.XXX	±.005	3∅ - DUAL VOLTAGE MOTOR		REF			
1	NEW DRAWING	BLR 06/18/1999	GK	.XXXX	±.0005	MAT'L.		FMF			
				ANG	±7'30"			PREV			
THIS DRAWING IN DESIGN AND DETAIL IS OUR PROPERTY AND MUST NOT BE USED EXCEPT IN CONNECTION WITH OUR WORK ALL RIGHTS OF DESIGN AND INVENTION ARE RESERVED THIS IS AN ELECTRONICALLY GENERATED DOCUMENT - DO NOT SCALE THIS PRINT				RFP	CAD FILE EE7308LN			SIZE A	DRAWING NO. EE7308-LN	PAGE OF 3	REV. 3
				DIST WP							





P.O. BOX 8003
WAUSAU, WI 54401-8003
PH. 715-675-3311

DATA VOLTS: 460

CERTIFICATION DATA SHEET

CONN. DIAGRAM: A-EET7308-LN
OUTLINE: A-100104LN-806
WINDING: Z1285

CAT #: LM25139

TR 3

TYPICAL MOTOR PERFORMANCE DATA

HP	KW	SYNC RPM	FL RPM	FRAME	ENCLOSURE	TYPE	KVA CODE	DESIGN	
0.75	0.56	3600	3530	56C	TENV	TTR	N	B	
PH	HZ	VOLTS	AMPS	START TYPE	DUTY	INSL	S.F.	AMB	ELEV.
3	60	230/460	2/1	ACROSS THE LINE	CONT	F	1.15	65	3300
F.L. EFF	84.0	3/4 LD EFF	82.5	1/2 LD EFF	80.0	GTD EFF	81.5	ELECT. TYPE	
F.L. PF	81.0	3/4 LD PF	75.0	1/2 LD PF	64.0	81.5	SQ CAGE IND RUN		
F.L. TORQUE	LR AMPS @ 460 V	L.R. TORQUE	B.D. TORQUE	F.L. RISE (°C)					
1.10 LB-FT	11.5	4.0 LB-FT	364%	6.0 LB-FT	545%	50			
PRESSURE @ 3	POWER	ROTOR WK²	MAX. LOAD WK²	SAFE STALL TIME	STARTS/HOUR	MOTOR WGT			
65 DBA	74 DBA	0.05 LB-FT²	0 LB-FT²	20 SEC.	0	58 LB.			

*** SUPPLEMENTAL INFORMATION ***

DE BRACKET TYPE	ODE BRACKET TYPE	MOUNT TYPE	MOTOR ORIENTATION	SEVERE DUTY	HAZARDOUS LOCATION	DRIP COVER	SCREENS	PAINT VERIFY
C-FACE	STANDARD	ROUND	HORIZONTAL	NO	NONE	NO	NONE	
BEARINGS DE	GREASE	SHAFT TYPE	SPECIAL DE	SPECIAL ODE	SHAFT MATERIAL	FRAME MATERIAL		
BALL 203	POLYREX EM	T	NONE	NONE	1144 STRESSPROOF (C-223)	ROLLED STEEL		
THERMOSTATS	PROTECTORS	WDG RTD's	BRG RTD's	THERMISTORS	CONTROL	SPACE HEATERS		
NONE	NOT	NONE	NONE	NONE	FALSE	NA		
R1 (ohms/ph)	R2 (ohms/ph)	X1 (ohms/ph)	X2 (ohms/ph)	Xm (ohms/ph)	VIBRATION (in/sec)	FLOAT ODE		
8.165	5.746	14.402	13.381	502.74	0.150			

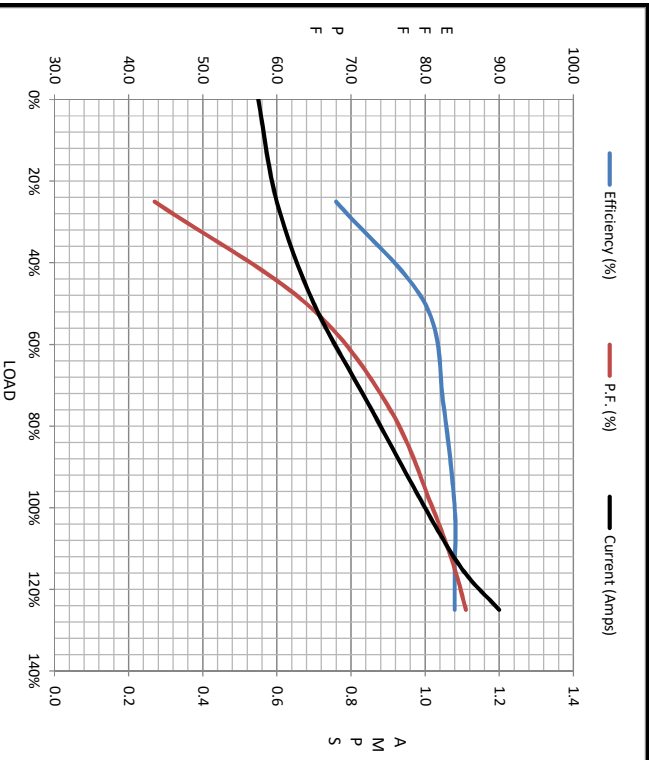
* NOT TESTED		INVERTER TORQUE: NONE	
		INV. HP SPEED RANGE: NONE	
		ENCODER: NONE	
		BRAKE: NONE	
		FT-LB: NONE	NONE
		VOLTAGE: NONE	NONE
		UL: VINS, CONST UL REC	

DATE:	2/1/2018	HZ:	
-------	----------	-----	--



		Motor Load Data					LR	
Load	0%	25%	50%	75%	100%	115%	125%	
Current (Amps)	0.55	0.60	0.70	0.85	1.00	1.10	1.20	11.5
Torque (ft-lb)	0.00	0.28	0.55	0.85	1.10	1.30	1.40	4.0
RPM	3600	3580	3565	3550	3530	3520	3510	0
Efficiency (%)		88.0	80.0	82.5	84.0	84.0	84.0	
P.F. (%)	13.0	43.5	64.0	75.0	81.0	84.0	85.5	55.0

		Motor Speed Data					Information Block																				
	LR	Pull-Up	BD	Rated	Idle	HP	Sync. RPM	Frame	Enclosure	Construction	Voltage	Frequency	Design	LR Code letter	Service Factor	Temp Rise @ FL	Duty	Ambient	Elevation	Rotor/Shaft wk ²	Ref Wdg	Sound Pressure @ 1M	VFD Rating	Outline Dwg	Conn. Diag	Additional Specifications:	
Speed (RPM)	0	400	2725	3530	3600	0.8	3600	143	TENV	TTR	230/460	60	A	N	1.15	50	CONT	40 °C	1,000 feet	ZT285 TR	65	dB(A)	NONE	A-100104LN-906	A-EE7308-LN		
Current (Amps)	11.5	11.0	7.0	1.00	0.55																						
Torque (ft-lb)	4.0	3.5	6.0	1.10	0.00																						



	R1	R2	X1	X2	Xm
EQUIV CKT (OHMS / PHASE)	8.1650	5.7460	14.4020	13.3810	502.7400

