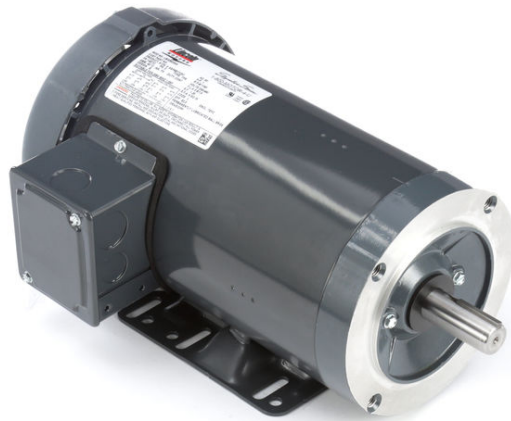


# PRODUCT INFORMATION PACKET



Model No: SRN4H0.25TCN61  
Catalog No: LM25136  
1/4, 1800, TENV, 56C, 3/60/230/460  
Automotive Duty



Regal and Leeson are trademarks of Regal Beloit Corporation or one of its affiliated companies.  
©2018 Regal Beloit Corporation, All Rights Reserved. MC017097E





### Nameplate Specifications

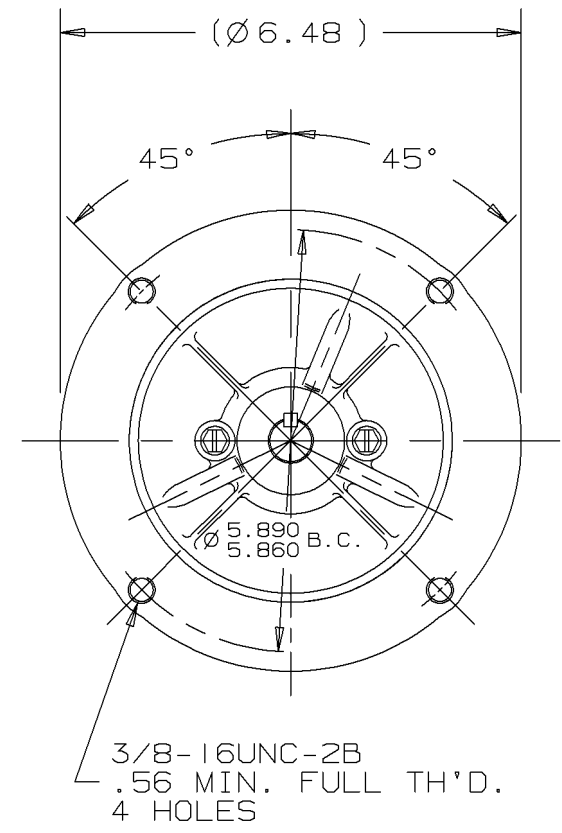
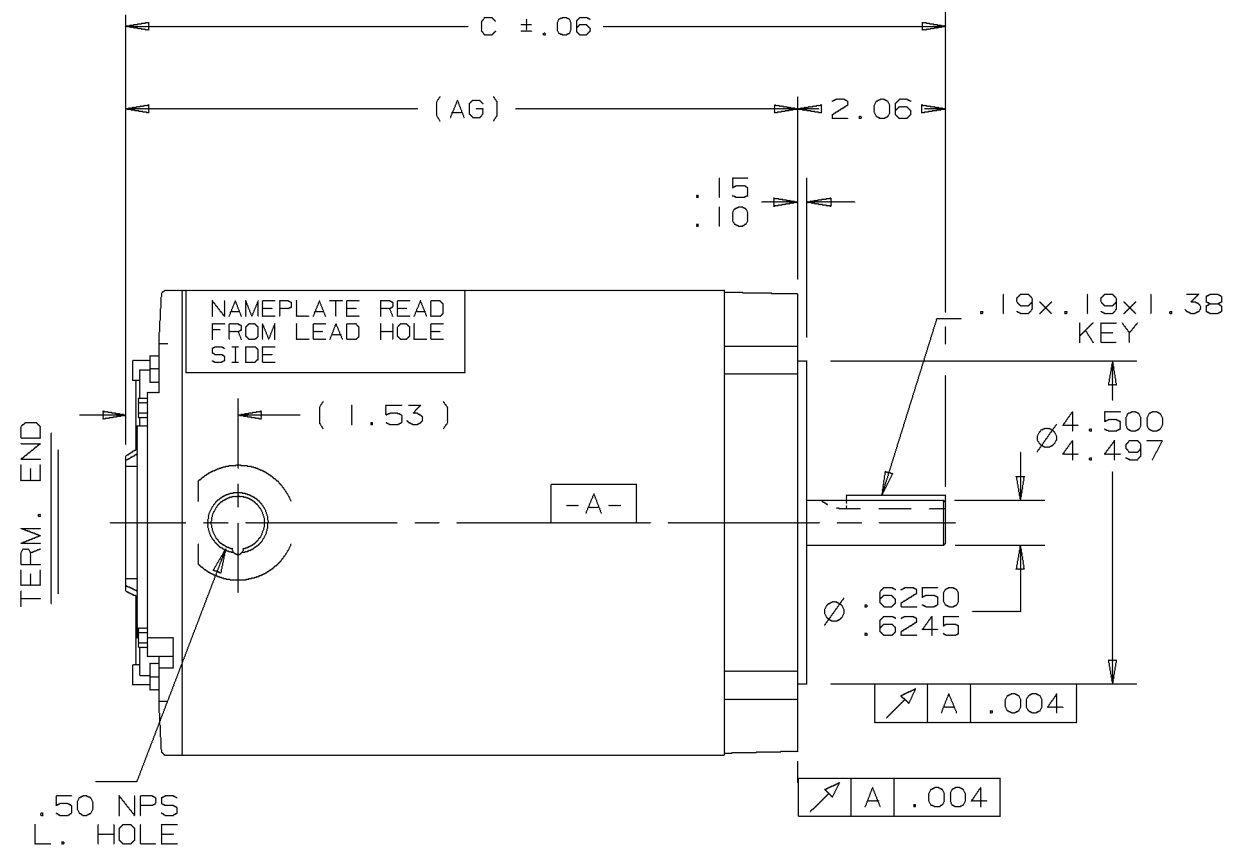
Output HP	<b>0.25 Hp</b>	Output KW	<b>0.19 kW</b>
Frequency	<b>60 Hz</b>	Voltage	<b>230/460 V</b>
Current	<b>1.1/0.55 A</b>	Speed	<b>1725 rpm</b>
Service Factor	<b>1</b>	Phase	<b>3</b>
Efficiency	<b>70 %</b>	Duty	<b>Continuous</b>
Insulation Class	<b>F</b>	Design Code	<b>B</b>
KVA Code	<b>N</b>	Frame	<b>56C</b>
Enclosure	<b>Totally Enclosed Non Ventilated</b>	Overload Protector	<b>No</b>
Ambient Temperature	<b>65 °C</b>	Drive End Bearing Size	<b>203</b>
Opp Drive End Bearing Size	<b>203</b>	UL	<b>Recognized</b>
CSA	<b>Y</b>	CE	<b>N</b>
IP Code	<b>43</b>		

### Technical Specifications

Electrical Type	<b>Squirrel Cage Induction Run</b>	Starting Method	<b>Across The Line</b>
Poles	<b>4</b>	Rotation	<b>Reversible</b>
Mounting	<b>Round</b>	Motor Orientation	<b>HORIZONTAL</b>
Drive End Bearing	<b>BALL</b>	Opp Drive End Bearing	<b>BALL</b>
Frame Material	<b>Rolled Steel</b>	Shaft Type	<b>T</b>
Overall Length	<b>9.94 in</b>	Frame Length	<b>6.06 in</b>
Shaft Diameter	<b>0.625 in</b>	Shaft Extension	<b>1.88 in</b>
Assembly/Box Mounting	<b>F1/F2 CAPABLE</b>		
Outline Drawing	<b>A-100104LN-606</b>	Connection Diagram	<b>A-EE7308-LN</b>

**This is an uncontrolled document once printed or downloaded and is subject to change without notice. Date Created: 10/15/2018**

A-100104LN



DASH	FR.	C	AG		DASH	FR.	C	AG	
606	56-60	9.94	7.87		806	56-80	11.94	9.87	
656	"-65	10.44	8.37		856	"-85	12.44	10.37	
706	"-70	10.94	8.87		906	"-90	12.94	10.87	
756	"-75	11.44	9.37		956	"-95	13.44	11.37	

						UNLESS OTHERWISE SPECIFIED DIMENSIONS ARE IN INCHES TOL. ON XX± .02 XXX± .005 XXXX± .0005 ANGLES± 7°30"			
						MAX. SURFACE ROUGHNESS UNLESS OTHERWISE NOTED	DRAWN BY TRB 09-07-1999		CHKD BY ML 09-07-1999
09-08-1999		NEW DRAWING		TRB		MATERIAL		APPD BY ET 09-08-1999	
REV DATE CHANGE		NAME		PART NAME OUTLINE 56 FR - BB - TENV - C-FACE - 3Ø				DRWG NO A-100104LN	
				PURCHASED		CADD FILE NO.		100104LN	

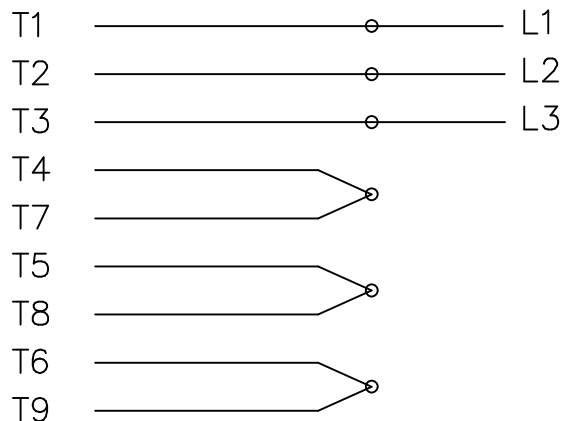
ERROR: undefined  
OFFENDING COMMAND: en

STACK:

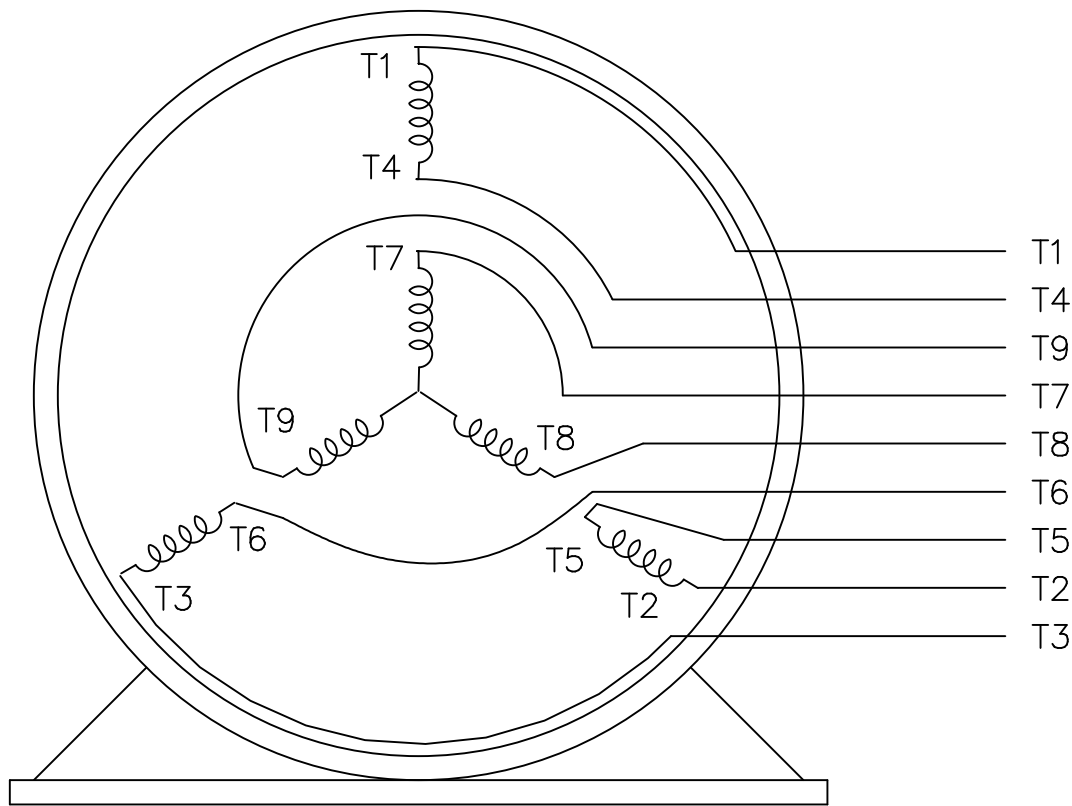
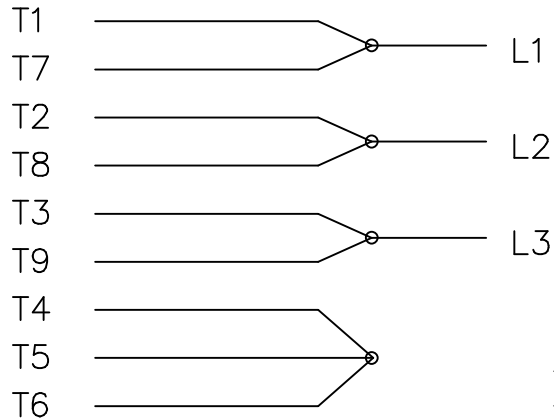
-dictionary-  
/Pscript\_WinNT\_Compat  
-dictionary-

THREE PHASE  
DUAL VOLTAGE MOTOR

HIGH VOLTAGE



LOW VOLTAGE



VIEW OF TERMINAL END

REF.  
WINDING DIAGRAM

T8Y, T2Y, T2BL, T4BX, T2EC, T2G  
T6BZ, T2B, T6BL, T4AV, T6B, T4B

OPTIONAL CORD  
CONNECTION

L1 — WHITE  
L2 — RED  
L3 — BLACK

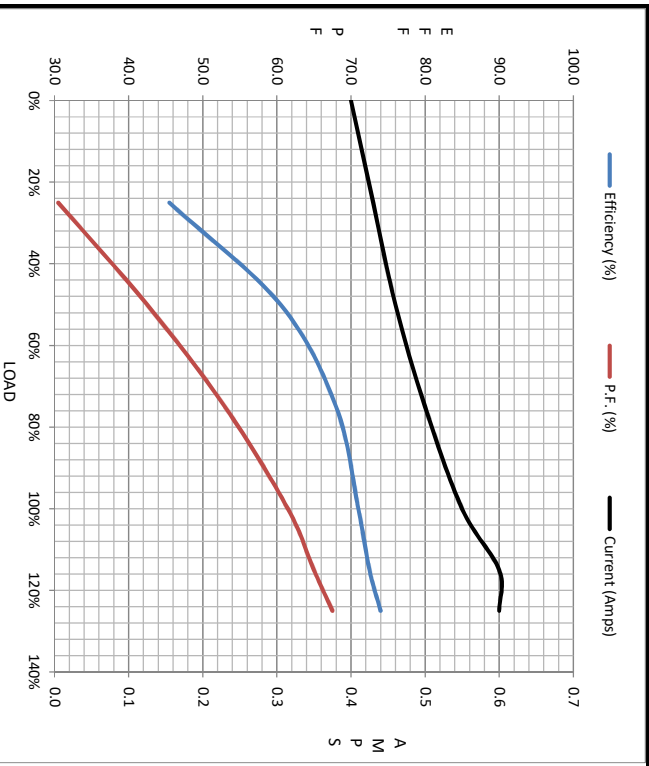
NO.	REVISION	BY & DATE	CHK	TOLERANCES UNLESS SPECIFIED		FINISH	DRAWN	DATE			
				DEC.	INCHES						
				.X	±.1		BLR	06/11/1999			
							ML	06/18/1999			
							GK	06/18/1999			
3	ADDED THE OPTIONAL CORD CONNECTION MU46318	RDH 04/24/2003	DRS	.XX	±.02	TITLE CONNECTION DIAGRAM		SCALE 1=1			
2	RE-ISSUE, ADDED '-' TO PART NUMBER	BLR 08/09/1999	GK	.XXX	±.005	3Ø - DUAL VOLTAGE MOTOR		REF			
1	NEW DRAWING	BLR 06/18/1999	GK	.XXXX	±.0005	MAT'L.		FMF			
				ANG	±7'30"			PREV			
THIS DRAWING IN DESIGN AND DETAIL IS OUR PROPERTY AND MUST NOT BE USED EXCEPT IN CONNECTION WITH OUR WORK ALL RIGHTS OF DESIGN AND INVENTION ARE RESERVED THIS IS AN ELECTRONICALLY GENERATED DOCUMENT - DO NOT SCALE THIS PRINT				RFP	CAD FILE EE7308LN		SIZE	DRAWING NO.	PAGE	OF	REV.
				DIST	WP		A	EE7308-LN			3





Motor Load Data						
Load	0%	25%	50%	75%	100%	LR
Current (Amps)	0.40	0.43	0.46	0.50	0.55	0.60
Torque (ft-lb)	0.00	0.20	0.37	0.56	0.75	0.95
RPM	1800	1785	1775	1755	1725	1720
Efficiency (%)		45.5	60.5	68.0	71.0	72.5
P.F. (%)	16.0	30.5	42.5	53.0	61.5	65.0

Motor Speed Data						Information Block																										
	LR	Pull-Up	BD	Rated	Idle	HP	Sync. RPM	Frame	Enclosure	Construction	Voltage	Frequency	Design	LR Code letter	Service Factor	Temp Rise @ FL	Duty	Ambient	Elevation	Rotor/Shaft wk²	Rel Wdg	Sound Pressure @ 1M	VFD Rating	Outline Dwg	Conn. Diag	Additional Specifications:	R1	R2	X1	X2	Xm	
Speed (RPM)	0	900	1600	1725	1800	0.3	1800	56	EPNV	TTR	230/460	60	B	N	1.15	30	CONT	40 °C	1,000 feet	Z1493 R2	60	dB(A)	NONE	A-100104LN-606	A-EE7308-LN		34.0970	21.3980	32.2970	19.2980	53.39470	
Current (Amps)	3.6	3.0	2.50	0.55	0.40																											
Torque (ft-lb)	3.1	2.80	3.7	0.75	0.00																											



EQUIV CKT (OHMS / PHASE)					
	R1	R2	X1	X2	Xm
	34.0970	21.3980	32.2970	19.2980	53.39470

