

# PRODUCT INFORMATION PACKET



Model No: SRN2H0.5T61  
Catalog No: LM25126  
1/2,3600,TENV,56,3/60/230/460  
Automotive Duty



Regal and Leeson are trademarks of Regal Beloit Corporation or one of its affiliated companies.  
©2018 Regal Beloit Corporation, All Rights Reserved. MC017097E





### Nameplate Specifications

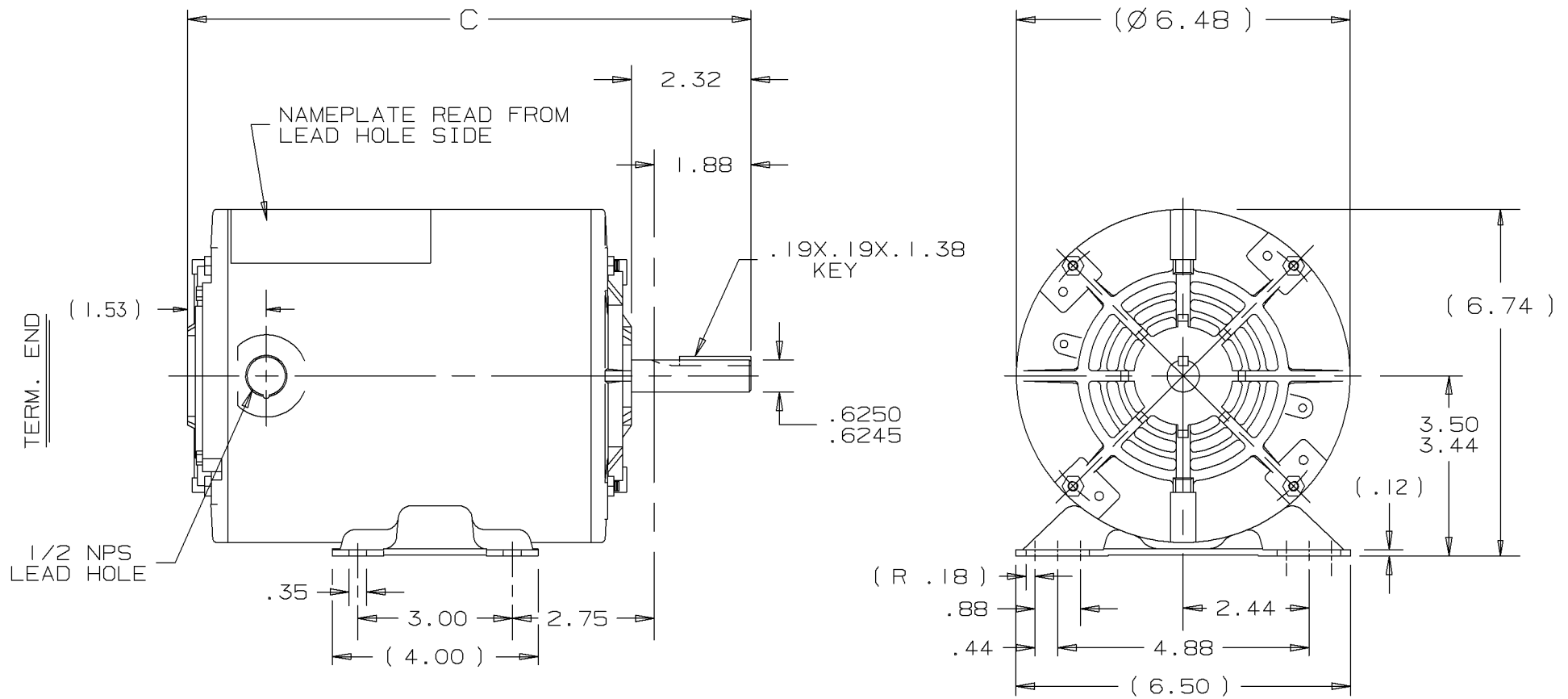
Output HP	<b>0.50 Hp</b>	Output KW	<b>0.37 kW</b>
Frequency	<b>60 Hz</b>	Voltage	<b>230/460 V</b>
Current	<b>1.6/0.80 A</b>	Speed	<b>3450 rpm</b>
Service Factor	<b>1</b>	Phase	<b>3</b>
Efficiency	<b>74 %</b>	Duty	<b>Continuous</b>
Insulation Class	<b>F</b>	Design Code	<b>B</b>
KVA Code	<b>L</b>	Frame	<b>56</b>
Enclosure	<b>Totally Enclosed Non Ventilated</b>	Overload Protector	<b>No</b>
Ambient Temperature	<b>65 °C</b>	Drive End Bearing Size	<b>203</b>
Opp Drive End Bearing Size	<b>203</b>	UL	<b>Recognized</b>
CSA	<b>Y</b>	CE	<b>N</b>
IP Code	<b>43</b>		

### Technical Specifications

Electrical Type	<b>Squirrel Cage Induction Run</b>	Starting Method	<b>Across The Line</b>
Poles	<b>2</b>	Rotation	<b>Reversible</b>
Mounting	<b>Rigid base</b>	Motor Orientation	<b>HORIZONTAL</b>
Drive End Bearing	<b>BALL</b>	Opp Drive End Bearing	<b>BALL</b>
Frame Material	<b>Rolled Steel</b>	Shaft Type	<b>NEMA 56</b>
Overall Length	<b>9.94 in</b>	Frame Length	<b>6.06 in</b>
Shaft Diameter	<b>0.625 in</b>	Shaft Extension	<b>1.88 in</b>
Assembly/Box Mounting	<b>F1 ONLY</b>		
Outline Drawing	<b>A-100108LN-606</b>	Connection Diagram	<b>A-EE7308-LN</b>

This is an uncontrolled document once printed or downloaded and is subject to change without notice. Date Created: 10/15/2018

A-100108LN



DASH	FR.	C			DASH	FR.	C		
					756	56-75	11.44		
606	56-60	9.94			806	"-80	11.94		
656	"-65	10.44			856	"-85	12.44		
706	"-70	10.94							

					UNLESS OTHERWISE SPECIFIED DIMENSIONS ARE IN INCHES TOL. ON XX±.02 XXX±.005 XXXX±.0005 ANGLES± 7°30"				
					MAX. SURFACE ROUGHNESS UNLESS OTHERWISE NOTED	DRAWN BY TRB 09-07-1999			
				FINISH	CHKD BY ML 09-07-1999				
				MATERIAL	APPD BY ET 09-08-1999				
REV	DATE	CHANGE	NAME	PART NAME OUTLINE 56 FR - TENV - BB - 3Ø				DRWG NO A-100108LN	
				PURCHASED	CADD FILE NO.		100108LN		

THREE PHASE  
DUAL VOLTAGE MOTOR

HIGH VOLTAGE



LOW VOLTAGE



VIEW OF TERMINAL END

REF.  
WINDING DIAGRAM

T8Y, T2Y, T2BL, T4BX, T2EC, T2G  
T6BZ, T2B, T6BL, T4AV, T6B, T4B

OPTIONAL CORD  
CONNECTION

L1 — WHITE  
L2 — RED  
L3 — BLACK

NO.	REVISION	BY & DATE	CHK	TOLERANCES UNLESS SPECIFIED		FINISH	DRAWN	DATE			
				DEC.	INCHES						
				.X	±.1		BLR	06/11/1999			
							ML	06/18/1999			
							GK	06/18/1999			
3	ADDED THE OPTIONAL CORD CONNECTION MU46318	RDH 04/24/2003	DRS	.XX	±.02	TITLE CONNECTION DIAGRAM		SCALE 1=1			
2	RE-ISSUE, ADDED '-' TO PART NUMBER	BLR 08/09/1999	GK	.XXX	±.005	3∅ - DUAL VOLTAGE MOTOR		REF			
1	NEW DRAWING	BLR 06/18/1999	GK	.XXXX	±.0005	MAT'L.		FMF			
				ANG	±7'30"			PREV			
THIS DRAWING IN DESIGN AND DETAIL IS OUR PROPERTY AND MUST NOT BE USED EXCEPT IN CONNECTION WITH OUR WORK ALL RIGHTS OF DESIGN AND INVENTION ARE RESERVED THIS IS AN ELECTRONICALLY GENERATED DOCUMENT - DO NOT SCALE THIS PRINT				RFP	CAD FILE EE7308LN			SIZE A	DRAWING NO. EE7308-LN	PAGE OF 3	REV. 3
				DIST WP							



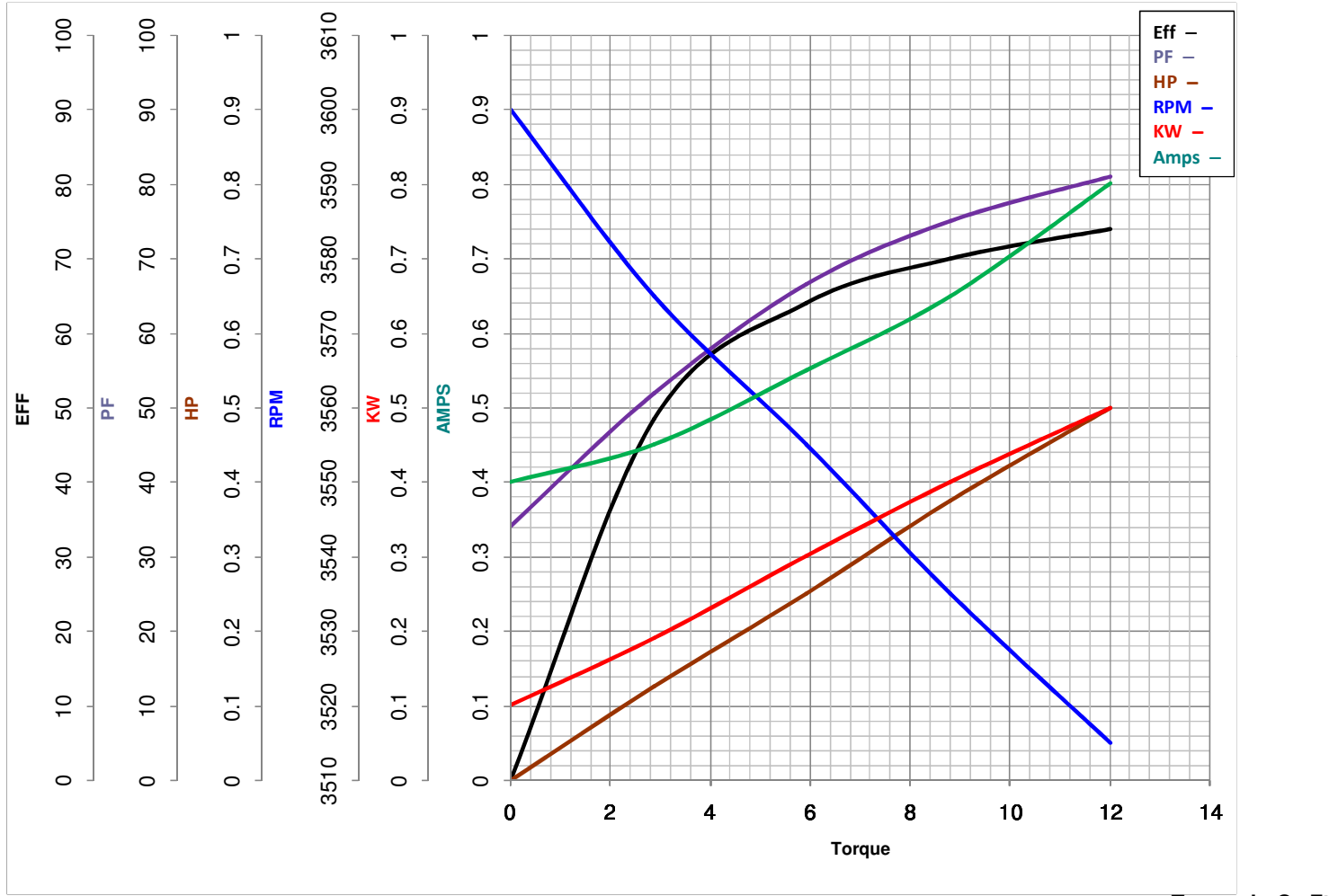


Model No LM25126

Catalog No LM25126A

**LEESON ELECTRIC CORPORATION**  
TYPICAL PERFORMANCE CURVE for AC MOTOR

Curve at 460 Volts      HP 0.50      PHASE 3  
60 HZ  
0.5 HP      VOLTS 230/460  
HZ 60      RPM 3450



FL TORQUE	<u>12</u>	Oz.Ft	FL AMPS	<u>1.6/8</u>	
BD TORQUE	<u>48.0</u>	Oz.Ft	PU TORQUE	<u>27.2</u>	Oz.Ft
LR TORQUE	<u>32</u>	Oz.Ft	LR AMPS	<u>6.2</u>	
WINDING	ZT280-3		Date	6/4/2018	