

PRODUCT INFORMATION PACKET



Model No: LM24946
Catalog No: LM24946
0.25 HP General Purpose Motor, 3 phase, 1800 RPM, 230/460 V, 56C Frame, TEFC
Three Phase TEFC Motors



Regal and Leeson are trademarks of Regal Beloit Corporation or one of its affiliated companies.
©2019 Regal Beloit Corporation, All Rights Reserved. MC017097E





Nameplate Specifications

Output HP	0.25 Hp	Output KW	0.19 kW
Frequency	60 Hz	Voltage	230/460 V
Current	1.3/0.65 A	Speed	1725 rpm
Service Factor	1.15	Phase	3
Efficiency	62.5 %	Power Factor	58
Duty	Continuous	Insulation Class	F
Design Code	B	KVA Code	N
Frame	S56C	Enclosure	Totally Enclosed Fan Cooled
Thermal Protection	No	Ambient Temperature	40 °C
Drive End Bearing Size	203	Opp Drive End Bearing Size	203
UL	Recognized	CSA	Y
CE	N	IP Code	43

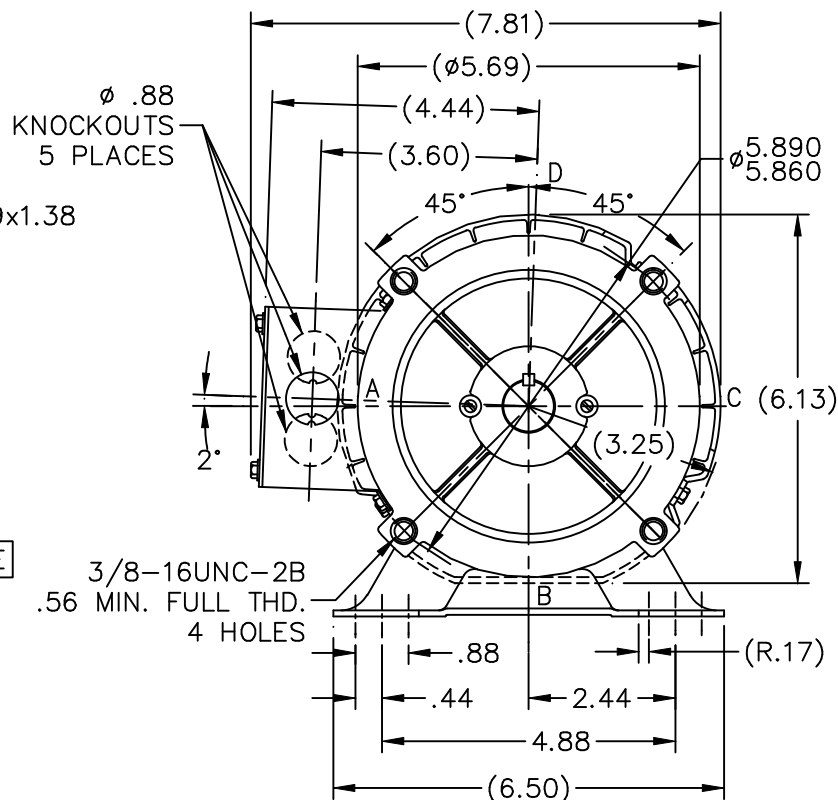
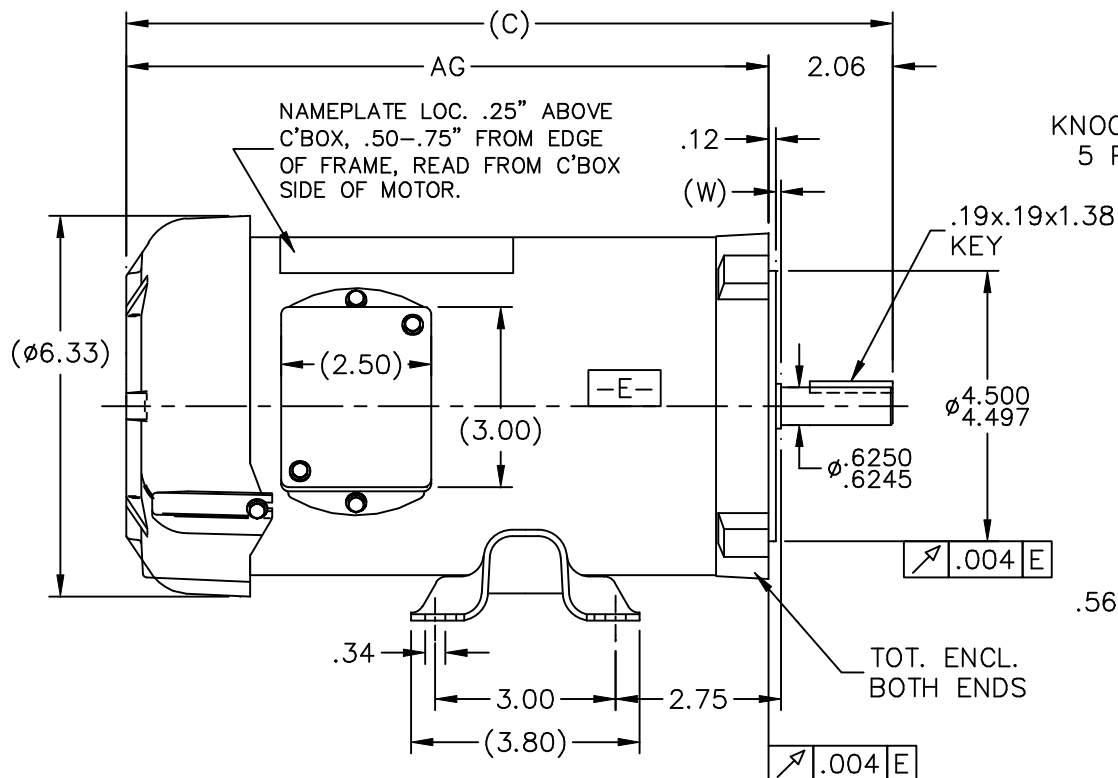
Technical Specifications

Electrical Type	Squirrel Cage Induction Run	Starting Method	Across The Line
Poles	4	Rotation	Reversible
Resistance Main	78 Ohms	Mounting	Rigid base
Motor Orientation	Horizontal	Drive End Bearing	Ball
Opp Drive End Bearing	Ball	Frame Material	Rolled Steel
Shaft Type	T	Overall Length	9.95 in
Frame Length	5.00 in	Shaft Diameter	0.625 in
Shaft Extension	2.06 in	Assembly/Box Mounting	F1/F2 CAPABLE

This is an uncontrolled document once printed or downloaded and is subject to change without notice. Date Created:01/11/2019

'W' = CLEARANCE ALLOWED FOR ALL VARIANCES
IN MANUFACTURING & ASSEMBLY

SS75180LN



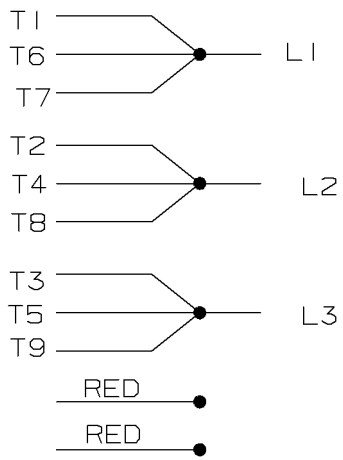
DASH	C	AG	DASH	C	AG
500	9.94	7.88	625	11.19	9.13
525	10.19	8.13	550	10.44	8.38
575	10.69	8.63			

		TOLERANCES UNLESS SPECIFIED		Lincoln MOTORS		DRAWN BLR 06-11-1999	
		DEC.	INCHES	TITLE OUTLINE		CHK ML 06-17-1999	
		.X	±.1			APPD GK 06-17-1999	
		.XX	±.03			SCALE 5=16	
		.XXX	±.005			REF	
1	NEW DRAWING	BLR 06-17-1999	.XXXX	±.0005	MAT'L.	FMF	
NO.	REVISION	BY & DATE	CHK	ANG	FINISH	PREV	
			RFP	06-17-1999	CAD FILE ss75180ln	SIZE A	DRAWING NO. SS75180LN
			DIST	WP		PAGE OF	REV. 1
THIS DRAWING IN DESIGN AND DETAIL IS OUR PROPERTY AND MUST NOT BE USED EXCEPT IN CONNECTION WITH OUR WORK ALL RIGHTS OF DESIGN AND INVENTION ARE RESERVED THIS IS AN ELECTRONICALLY GENERATED DOCUMENT - DO NOT SCALE THIS PRINT							

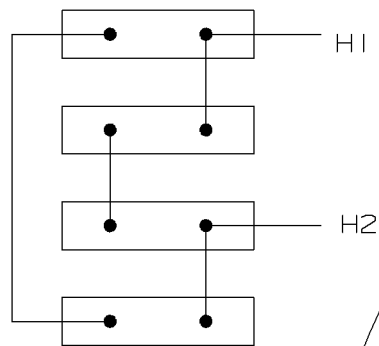
7/26/2007 2:30:56 PM -

Dealers Industrial Equipment -- Visit <https://DealersElectric.com> or call (908) 688-1966 for all of your electric motor & 360V needs!

LOW VOLTAGE

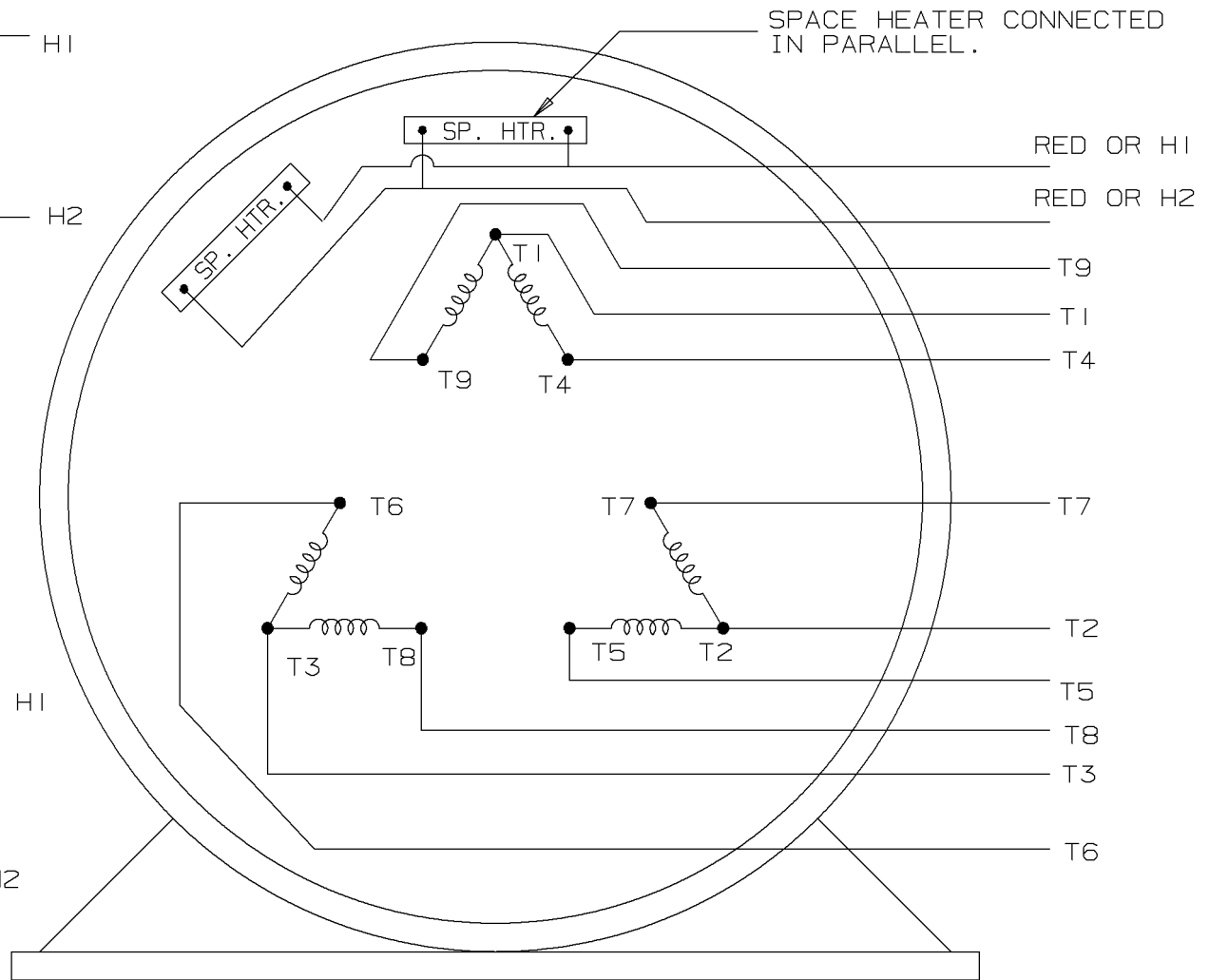
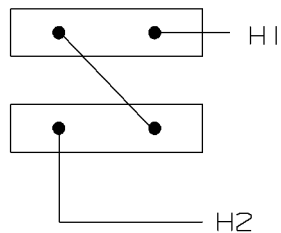


SPACE HEATERS CONNECTED IN SERIES PARALLEL

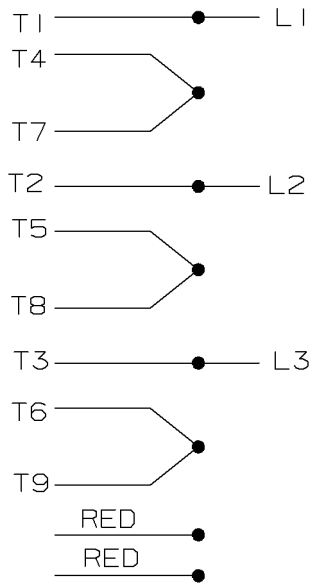


SPACE HEATER CONNECTED IN PARALLEL.

SPACE HEATERS CONNECTED IN SERIES



HIGH VOLTAGE



						UNLESS OTHERWISE SPECIFIED DIMENSIONS ARE IN INCHES TOL. ON XX± .03 XXX± .005 XXXX± .0005 ANGLES± 7°30"			
						MAX. SURFACE ROUGHNESS UNLESS OTHERWISE NOTED		DRAWN BY CAV 04-14-2000	
				FINISH		CHKD BY DRS 04-14-2000			
				MATERIAL		APPD BY TB 04-14-2000			
REV	DATE	CHANGE	NAME	PART NAME CONNECTION DIAGRAM DELTA CONN. - 3Ø - 1-2CKT/SPACE HTR.				DRWG NO A- EE7308U-LN	
				PURCHASED		CADD FILE NO.		EE7308U-LN	

ERROR: undefined
OFFENDING COMMAND: sc

STACK:

1

1

-savelevel-



1051 CHEYENNE AVE.
 GRAFTON, WI 53024
 PH. 262-277-8810

DATA VOLTS: 460

CERTIFICATION DATA SHEET

CONN. DIAGRAM: A-EE7308-LN
 OUTLINE: A-SS75180LN-500
 WINDING: TE48413

CAT #:

LM24946

FR 3

TYPICAL MOTOR PERFORMANCE DATA

HP	KW	SYNC RPM	FL RPM	FRAME	ENCLOSURE	TYPE	KVA CODE	DESIGN	
0.25	0.19	1800	1725	S56C	TEFC	TFR	M	B	
PH	HZ	VOLTS	AMPS	START TYPE	DUTY	INSL	S.F.	AMB	ELEV.
3	60/50	208-230/460#190-208/380-415	1.2-1.3/65&1.4/0.6	ACROSS THE LINE	CONT	F	1.15	40	3300

F.L. EFF	F.L. PF	3/4 LD EFF	3/4 LD PF	58.0	49.5	1/2 LD EFF	49.0	GTD EFF	57.5	ELECT. TYPE
62.0	58.0	3/4 LD EFF	3/4 LD PF	58.0	49.5	1/2 LD PF	49.0	GTD EFF	57.5	SQ CAGE IND RUN

F.L. TORQUE	LB-FT	LR AMPS @ 460 V	3.3	L.R. TORQUE	3.0	MAX. LOAD WK ²	3.5	B.D. TORQUE	461%	F.L. RISE (° C)
0.76	LB-FT	LR AMPS @ 460 V	3.3	L.R. TORQUE	3.0	MAX. LOAD WK ²	3.5	B.D. TORQUE	461%	F.L. RISE (° C)

PRESSURE @ 3	SOUND	POWER	ROTOR WK ²	0.03	LB-FT ²	0	LB-FT ²	SAFE STALL TIME	10	SEC.	STARTS/HOUR	0	MOTOR WGT
60	dbA	69	dbA	0.03	LB-FT ²	0	LB-FT ²	SAFE STALL TIME	10	SEC.	STARTS/HOUR	0	MOTOR WGT

*** SUPPLEMENTAL INFORMATION ***

DE BRACKET	ODE BRACKET TYPE	MOUNT TYPE	MOTOR ORIENTATION	SEVERE DUTY	HAZARDOUS LOCATION	DRIP COVER	SCREENS	PAINT
C-FACE	STANDARD	RIGID	HORIZONTAL	NO	NONE	NO	NONE	WATTS/VER

BEARINGS	GREASE	SHAFT TYPE	SPECIAL DE	SPECIAL ODE	SHAFT	MATERIAL	FRAME MATERIAL
DE ODE	POLYREX EM	T	NONE	NONE	1144	STRESSPROOF (C-223)	ROLLED STEEL
BALL BALL							
203							

THERMOSTATS	PROTECTORS	WDG RTD's	BRG RTD's	THERMISTORS	CONTROL	SPACE HEATERS
NONE	NOT	NONE	NONE	NONE	FALSE	NA

R1 (ohms/ph)	R2 (ohms/ph)	X1 (ohms/ph)	X2 (ohms/ph)	Xm (ohms/ph)	VIBRATION (in/sec)	FLOAT
41.428	26.538	34.391	13.28	419.95	0.150	ODE

* INVERTER TORQUE: NONE	
* INV. HP SPEED RANGE: NONE	
ENCODER: NONE	
BRAKE: NONE	
FT-LB: N/A	
VOLTAGE: NONE	
UL: V-INS, CONST UL REC	

DATE:	9/11/2018	VOLTAGE:	NONE	HZ:
-------	-----------	----------	------	-----



Motor Load Data

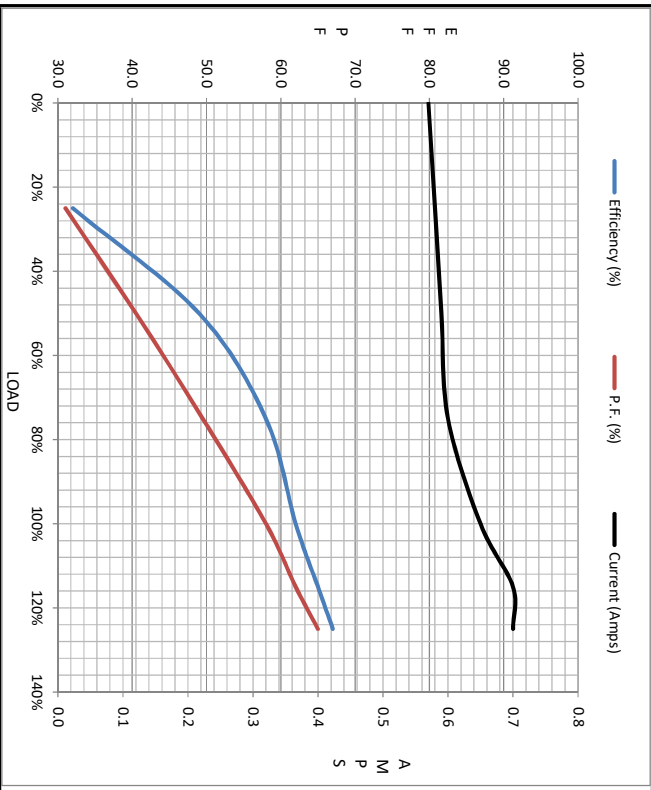
Load	0%	25%	50%	75%	100%	115%	125%	LR
Current (Amps)	0.57	0.58	0.59	0.60	0.65	0.70	0.70	3.3
Torque (ft-lb)	0.00	0.19	0.38	0.57	0.76	0.88	0.96	3.0
RPM	1800	1780	1770	1750	1725	1720	1715	0
Efficiency (%)		32.0	49.0	58.0	62.0	65.0	67.0	
P.F. (%)	21.0	31.0	40.5	49.5	58.0	62.0	65.0	76.0

Motor Speed Data

	LR	Pull-Up	BD	Rated	Idle
Speed (RPM)	0	600	1075	1725	1800
Current (Amps)	3.3	3.0	2.40	0.65	0.57
Torque (ft-lb)	3.0	3.2	3.5	0.76	0.00

Information Block

HP	0.3
Sync. RPM	1800
Frame	56
Enclosure	TEFC
Construction	TFR
Voltage	208-230/460#190-208/380-411:V
Frequency	60 Hz
Design	B
LR Code letter	M
Service Factor	1.15
Temp Rise @ FL	43 °C
Duty	CONT
Ambient	40 °C
Elevation	1,000 feet
Rotor/Shaft wk ²	0.03 Lb-Ft ²
Ref Wdg	TE#8413 FR
Sound Pressure @ 1M	60 dBA
VFD Rating	NONE
Outline Dwg	A-SS75180L-N-500
Conn. Diag	A-EE7308-1N
Additional Specifications:	
0	
0	
EQUIV CKT (OHMS / PHASE)	
R1	R2
41.4280	25.5380
X1	X2
34.3910	13.2800
Xm	
	419.9500



Speed - Torque Curve

