

PRODUCT INFORMATION PACKET



Model No: SPF4S0.25T61
Catalog No: LM24929
1/4, 1800, TEFC, 48, 3/60/230/460
Totally Enclosed Fan Cooled (TEFC)



Regal and Leeson are trademarks of Regal Beloit Corporation or one of its affiliated companies.
©2018 Regal Beloit Corporation, All Rights Reserved. MC017097E





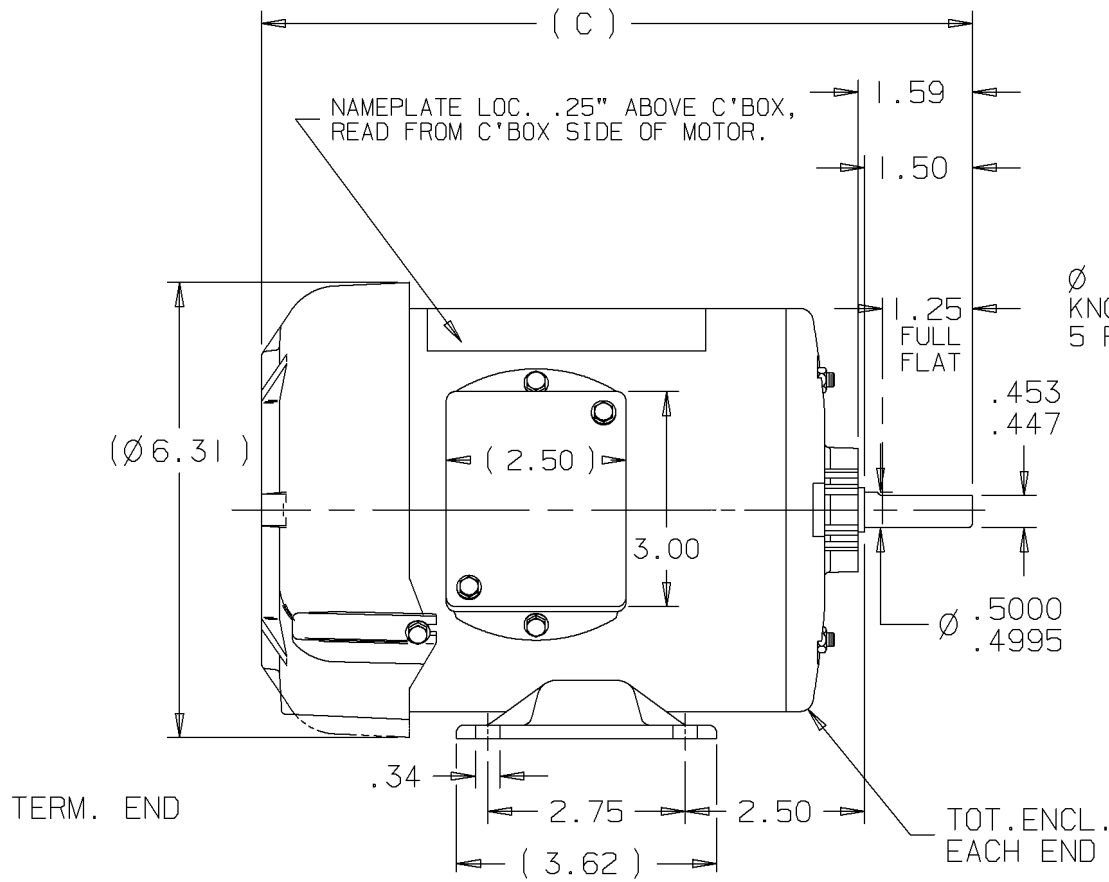
Nameplate Specifications

Output HP	0.25 Hp	Output KW	0.19 kW
Frequency	60 Hz	Voltage	230/460 V
Current	1.3/0.65 A	Speed	1725 rpm
Service Factor	1.15	Phase	3
Efficiency	62 %	Duty	Continuous
Insulation Class	B	Design Code	B
KVA Code	M	Frame	48
Enclosure	Totally Enclosed Fan Cooled	Overload Protector	No
Ambient Temperature	40 °C	Drive End Bearing Size	6203
Opp Drive End Bearing Size	6203	UL	Recognized
CSA	Y	CE	N
IP Code	43		

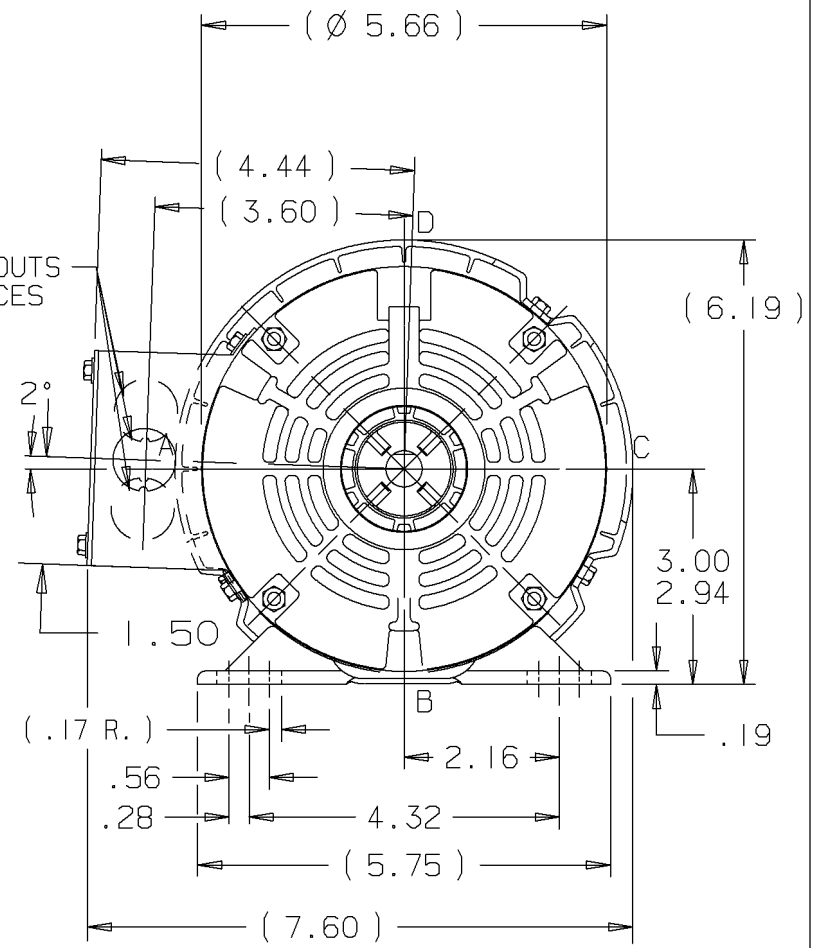
Technical Specifications

Electrical Type	Squirrel Cage Induction Run	Starting Method	Across The Line
Poles	4	Rotation	Reversible
Mounting	Rigid base	Motor Orientation	HORIZONTAL
Drive End Bearing	BALL	Opp Drive End Bearing	BALL
Frame Material	Rolled Steel	Shaft Type	NEMA 48
Overall Length	9.59 in	Frame Length	5.00 in
Shaft Diameter	0.500 in	Shaft Extension	1.5 in
Assembly/Box Mounting	F1 ONLY		
Outline Drawing	A-SS400134LN-500	Connection Diagram	A-EE7308-LN

This is an uncontrolled document once printed or downloaded and is subject to change without notice. Date Created: 10/15/2018



Ø .88
KNOCKOUTS
5 PLACES



DASH	C
500	9.59
525	9.84
575	10.34

REV	DATE	CHANGE	NAME
2	06-29-2000	NAMEPLATE LOC. WAS: .25" FROM EDGE OF FRAME MU31863	MSG
1	02-02-2000	NEW DRAWING	NJS



UNLESS OTHERWISE SPECIFIED DIMENSIONS ARE IN INCHES TOL. ON XX± .03 XXX± .005 XXXX± .0005 ANGLES± 7'30"			
MAX. SURFACE ROUGHNESS UNLESS OTHERWISE NOTED		DRAWN BY	NJS
FINISH		CHKD BY	ML
MATERIAL		APPD BY	TOM

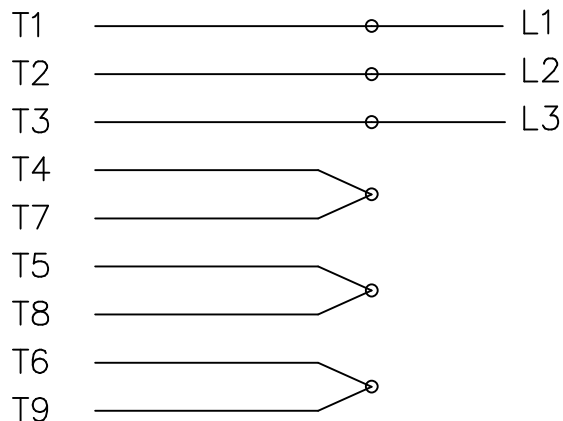
PART NAME	OUTLINE	DRWG NO	A-SS400134LN
48 FR.			

L	PURCHASED	CADD FILE NO.	SS400134LN
---	-----------	---------------	------------

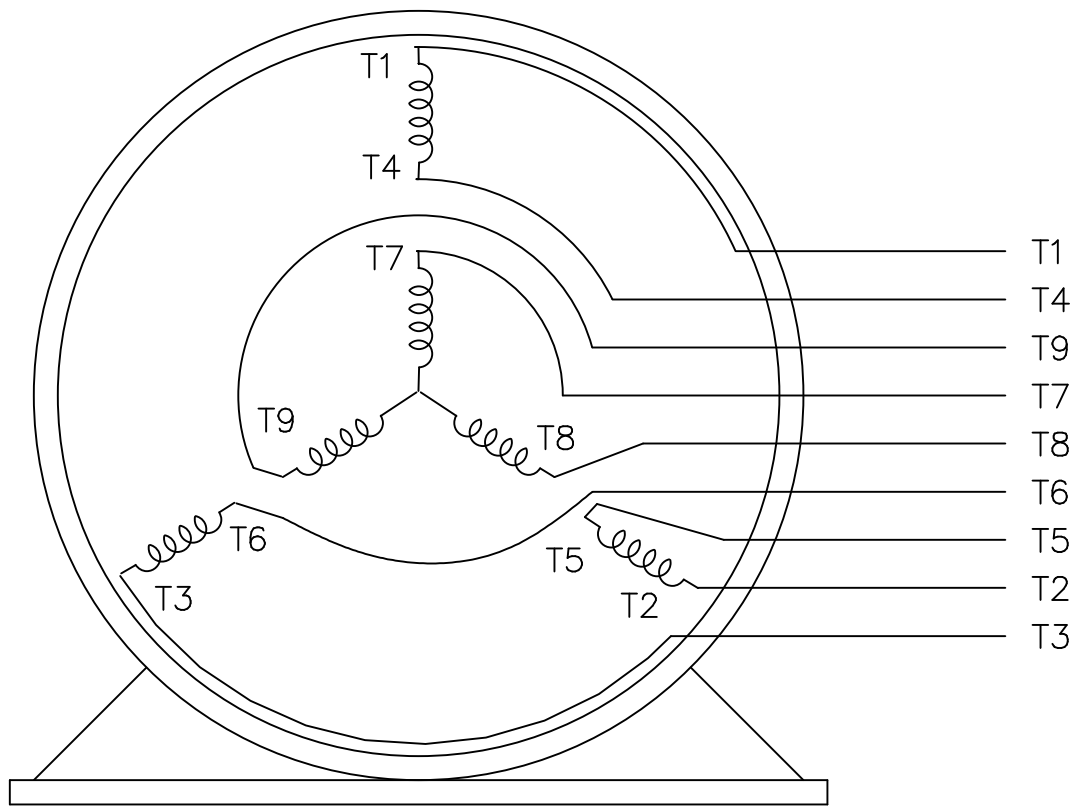
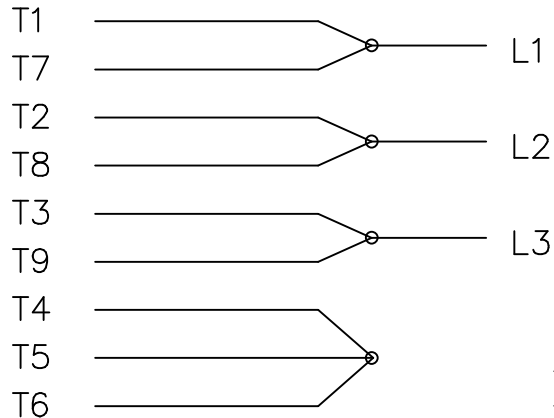
ERROR: undefined
OFFENDING COMMAND: Pscript
STACK :

THREE PHASE
DUAL VOLTAGE MOTOR

HIGH VOLTAGE



LOW VOLTAGE



VIEW OF TERMINAL END

REF.
WINDING DIAGRAM

T8Y, T2Y, T2BL, T4BX, T2EC, T2G
T6BZ, T2B, T6BL, T4AV, T6B, T4B

OPTIONAL CORD
CONNECTION

L1 — WHITE
L2 — RED
L3 — BLACK

NO.	REVISION	BY & DATE	CHK	TOLERANCES UNLESS SPECIFIED		FINISH	DRAWN	DATE			
				DEC.	INCHES						
				.X	±.1		BLR	06/11/1999			
							ML	06/18/1999			
							GK	06/18/1999			
3	ADDED THE OPTIONAL CORD CONNECTION MU46318	RDH 04/24/2003	DRS	.XX	±.02	TITLE CONNECTION DIAGRAM		SCALE 1=1			
2	RE-ISSUE, ADDED '-' TO PART NUMBER	BLR 08/09/1999	GK	.XXX	±.005	3Ø - DUAL VOLTAGE MOTOR		REF			
1	NEW DRAWING	BLR 06/18/1999	GK	.XXXX	±.0005	MAT'L.		FMF			
				ANG	±7'30"			PREV			
THIS DRAWING IN DESIGN AND DETAIL IS OUR PROPERTY AND MUST NOT BE USED EXCEPT IN CONNECTION WITH OUR WORK ALL RIGHTS OF DESIGN AND INVENTION ARE RESERVED THIS IS AN ELECTRONICALLY GENERATED DOCUMENT - DO NOT SCALE THIS PRINT				RFP	CAD FILE EE7308LN			SIZE A	DRAWING NO. EE7308-LN	PAGE OF 3	REV. 3
				DIST WP							



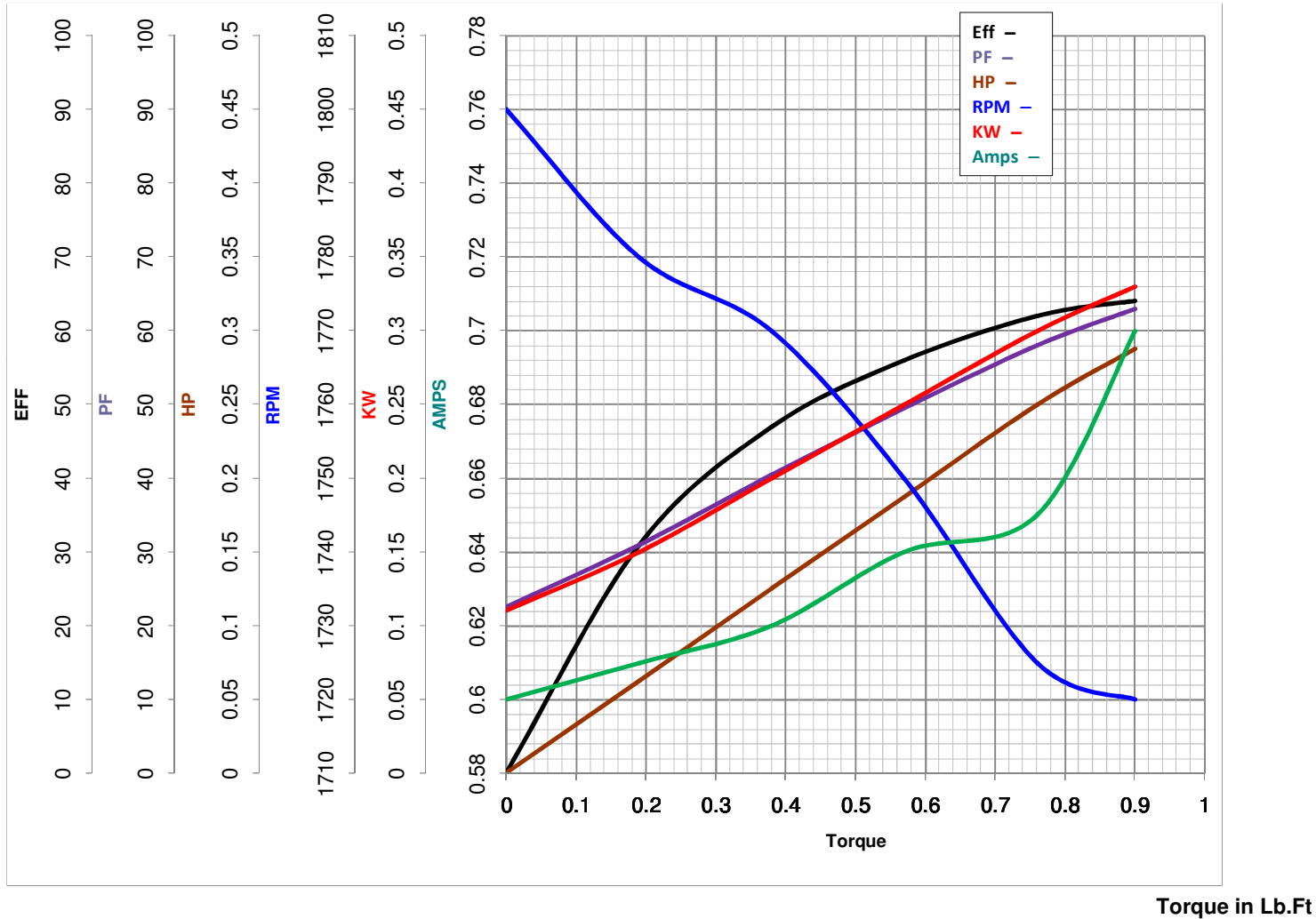


LEESON ELECTRIC CORPORATION
TYPICAL PERFORMANCE CURVE for AC MOTOR

Model No LM24929

Catalog No LM24929A

Curve at 460 Volts HP 0.25 PHASE 3
60 HZ
0.25 HP VOLTS 230/460
HZ 60 RPM 1725



FL TORQUE 0.76 Lb.Ft
 BD TORQUE 3.4 Lb.Ft
 LR TORQUE 2.8 Lb.Ft

FL AMPS 1.3/.65
 PU TORQUE 3.1 Lb.Ft
 LR AMPS 3.4

WINDING TE48413-3

Date 5/22/2018