

PRODUCT INFORMATION PACKET



Model No: SSD4B1.5T61
Catalog No: LM24875
1.5, 1800, DP, 145T, 3/60/230/460
Open Drip Proof (ODP)



Regal and Leeson are trademarks of Regal Beloit Corporation or one of its affiliated companies.
©2018 Regal Beloit Corporation, All Rights Reserved. MC017097E





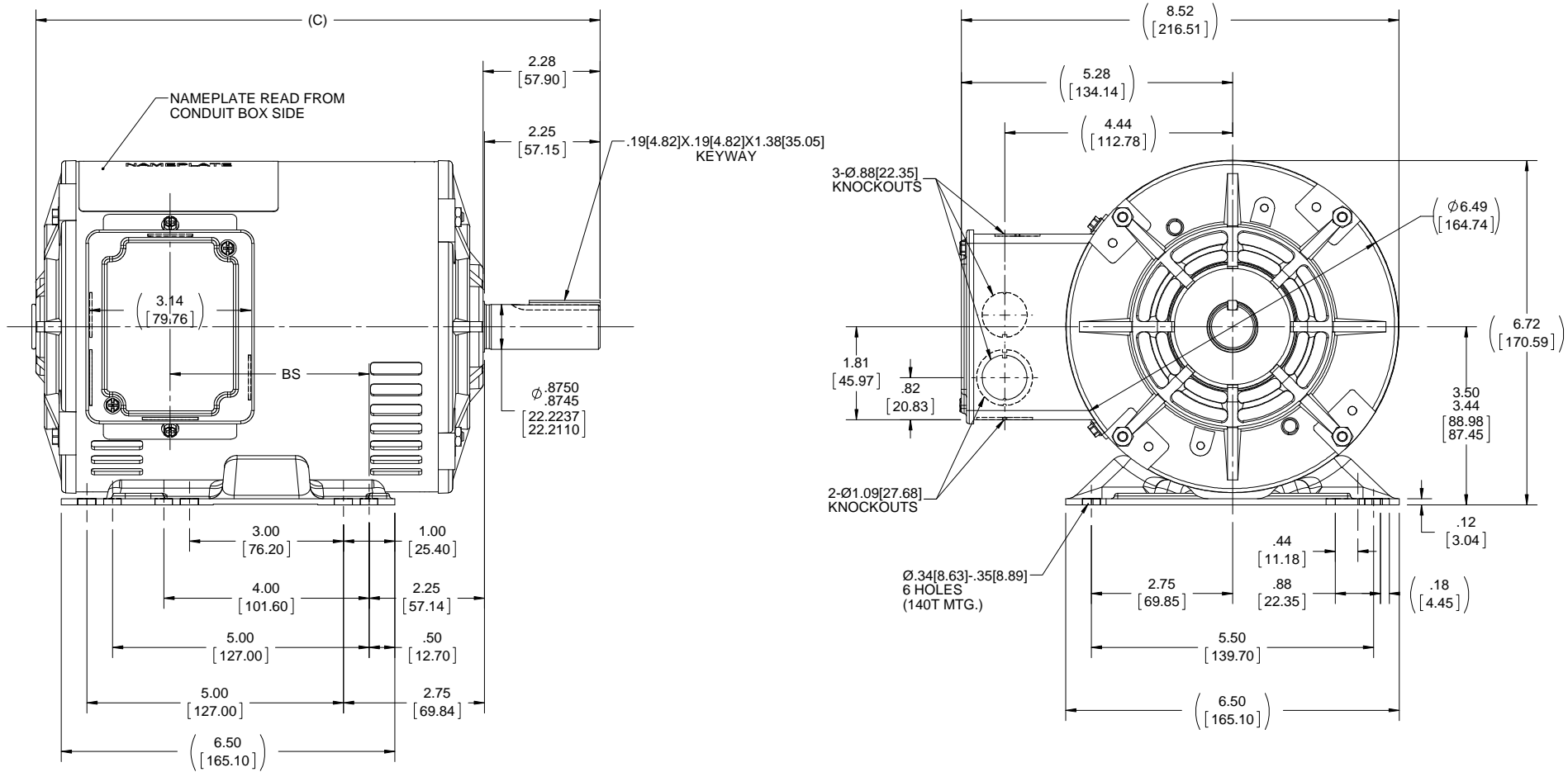
Nameplate Specifications

Output HP	1.50 Hp	Output KW	1.1 kW
Frequency	60 Hz	Voltage	230/460 V
Current	4.4/2.2 A	Speed	1755 rpm
Service Factor	1.25	Phase	3
Efficiency	86.5 %	Duty	Continuous
Insulation Class	F	Design Code	C
KVA Code	M	Frame	145T
Enclosure	Drip Proof	Overload Protector	No
Ambient Temperature	40 °C	Drive End Bearing Size	205
Opp Drive End Bearing Size	203	UL	Recognized
CSA	Y	CE	Y
IP Code	22		

Technical Specifications

Electrical Type	Squirrel Cage Induction Run	Starting Method	Across The Line
Poles	4	Rotation	Reversible
Mounting	Rigid base	Motor Orientation	HORIZONTAL
Drive End Bearing	BALL	Opp Drive End Bearing	BALL
Frame Material	Rolled Steel	Shaft Type	T
Overall Length	12.99 in	Frame Length	9.06 in
Shaft Diameter	0.875 in	Shaft Extension	2.25 in
Assembly/Box Mounting	F1 ONLY		
Outline Drawing	A-100085-906	Connection Diagram	A-EE7308-LN

This is an uncontrolled document once printed or downloaded and is subject to change without notice. Date Created: 10/15/2018



NOTES:
1.CONDUIT BOX CAN BE ROTATED 180°.

DASH NO.	"C"	"BS"	DRAWING REVISION E	REVISION BY A. KEETHA	DATE 01-09-2018	TOLERANCES UNLESS OTHERWISE SPECIFIED:	DRAWN BY GK	Regal Beloit America, Inc.	
706	10.99[279.14]	3.87[98.29]	ECO ECO-0143026	APPROVED BY PST	DATE 04/11/2018	DEC. INCH mm ANGLE -X +0.1 [+2.5] ±7-30° .XX ±0.03 [+0.76] .XXX ±0.005 [+0.127] .XXXX ±0.0005 [+0.0127]	DATE 02-04-1988		
756	11.49[291.84]	4.37[110.99]	ECO DESCRIPTION OUTLINE CONVERSION PROJECT			REMOVE BURRS & BREAK SHARP EDGES: .003/.015 [.076/.381] X 45° CORNER FILLETS: R.02 [.51]	APPROVED BY FG	DESCRIPTION OUTLINE 140T & 56HZ - DR.PR.	
806	11.99[304.54]	4.87[123.69]	<small>COPYRIGHT REGAL BELOIT AMERICA, INC. ALL RIGHTS RESERVED. PROPRIETARY AND CONFIDENTIAL INFORMATION - THIS DOCUMENT IS THE PROPERTY OF REGAL BELOIT AMERICA, INC. (OWNER) AND CONTAINS OWNER'S PROPRIETARY INFORMATION. ANY PERSON, CORPORATION OR OTHER FIRM RECEIVING IT IS DEEMED, BY RECEIVING IT, TO AGREE THAT IT, AND/OR ANY PART OF IT, SHALL NOT BE DISCLOSED TO ANY PERSON, CORPORATION OR OTHER ENTITY, DUPLICATED, AND/OR USED, EXCEPT AS EXPRESSLY APPROVED IN WRITING IN ADVANCE BY OWNER. THIS DOCUMENT SHALL BE RETURNED TO OWNER UPON REQUEST. IT MAY BE SUBJECT TO CERTAIN RESTRICTIONS UNDER APPLICABLE EXPORT CONTROL LAWS AND REGULATIONS.</small>			MACHINED SURFACES: 200 INCH mm 5.1	DATE 02-04-1998	MATERIAL	
906	12.99[329.94]	5.87[149.09]					REFERENCE 100085	PROCESS/FINISH	
956	13.49[342.64]	6.37[161.79]					THIRD ANGLE PROJECTION	DRAWING NUMBER 100085	SHEET 1 OF 1

THREE PHASE
DUAL VOLTAGE MOTOR

HIGH VOLTAGE



LOW VOLTAGE



VIEW OF TERMINAL END

REF.
WINDING DIAGRAM

T8Y, T2Y, T2BL, T4BX, T2EC, T2G
T6BZ, T2B, T6BL, T4AV, T6B, T4B

OPTIONAL CORD
CONNECTION

L1 — WHITE
L2 — RED
L3 — BLACK

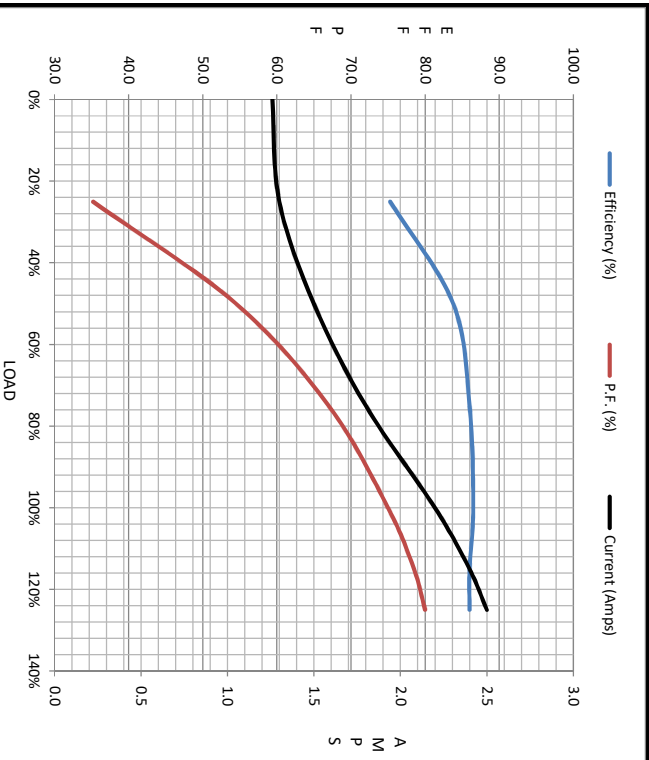
NO.	REVISION	BY & DATE	CHK	TOLERANCES UNLESS SPECIFIED		FINISH	DRAWN	DATE			
				DEC.	INCHES						
				.X	±.1		BLR	06/11/1999			
							ML	06/18/1999			
							GK	06/18/1999			
3	ADDED THE OPTIONAL CORD CONNECTION MU46318	RDH 04/24/2003	DRS	.XX	±.02	TITLE CONNECTION DIAGRAM		SCALE 1=1			
2	RE-ISSUE, ADDED '-' TO PART NUMBER	BLR 08/09/1999	GK	.XXX	±.005	3Ø - DUAL VOLTAGE MOTOR		REF			
1	NEW DRAWING	BLR 06/18/1999	GK	.XXXX	±.0005	MAT'L.		FMF			
				ANG	±7'30"			PREV			
THIS DRAWING IN DESIGN AND DETAIL IS OUR PROPERTY AND MUST NOT BE USED EXCEPT IN CONNECTION WITH OUR WORK ALL RIGHTS OF DESIGN AND INVENTION ARE RESERVED THIS IS AN ELECTRONICALLY GENERATED DOCUMENT - DO NOT SCALE THIS PRINT				RFP	CAD FILE EE7308LN		SIZE	DRAWING NO.	PAGE	OF	REV.
				DIST WP			A	EE7308-LN			3





Motor Load Data						
Load	0%	25%	50%	75%	100%	LR
Current (Amps)	1.26	1.30	1.50	1.80	2.20	19.8
Torque (ft-lb)	0.00	1.10	2.20	3.4	4.5	16.7
RPM	1800	1788	1775	1755	1735	0
Efficiency (%)		75.3	83.8	86.0	86.5	
P.F. (%)	9.3	35.2	54.5	67.0	75.0	68.0

Motor Speed Data						Information Block																										
LR	Pull-Up	BD	Rated	Idle		HP	Sync. RPM	Frame	Enclosure	Construction	Voltage	Frequency	Design	LR Code letter	Service Factor	Temp Rise @ FL	Duty	Ambient	Elevation	Rotor/Shaft wk ²	Ref Wdg	Sound Pressure @ 1M	VFD Rating	Outline Dwg	Conn. Diag	Additional Specifications:	EQUIV CKT (OHMS / PHASE)	R1	R2	X1	X2	Xm
0	120	1220	1755	1800		1.5	1800	145	DP	TDR	230/460#190/380-415	60	A	M	1.15	28	CONT	40 °C	1,000 feet	0.00	NONE	56	NONE	A-100085LN-906	A-EE7308-LN		0.0000	0.0000	0.0000	0.0000	0.0000	



LR	Pull-Up	BD	Rated	Idle
0	120	1220	1755	1800
19.8	20.2	13.1	2.20	1.26
16.7	16.6	21.7	4.5	0.00

