

PRODUCT INFORMATION PACKET



Model No: SRF6S0.33TCN61
Catalog No: LM24858
1/3,1140,TEFC,56C,3/60/230/460
Totally Enclosed Fan Cooled (TEFC)



Regal and Leeson are trademarks of Regal Beloit Corporation or one of its affiliated companies.
©2018 Regal Beloit Corporation, All Rights Reserved. MC017097E





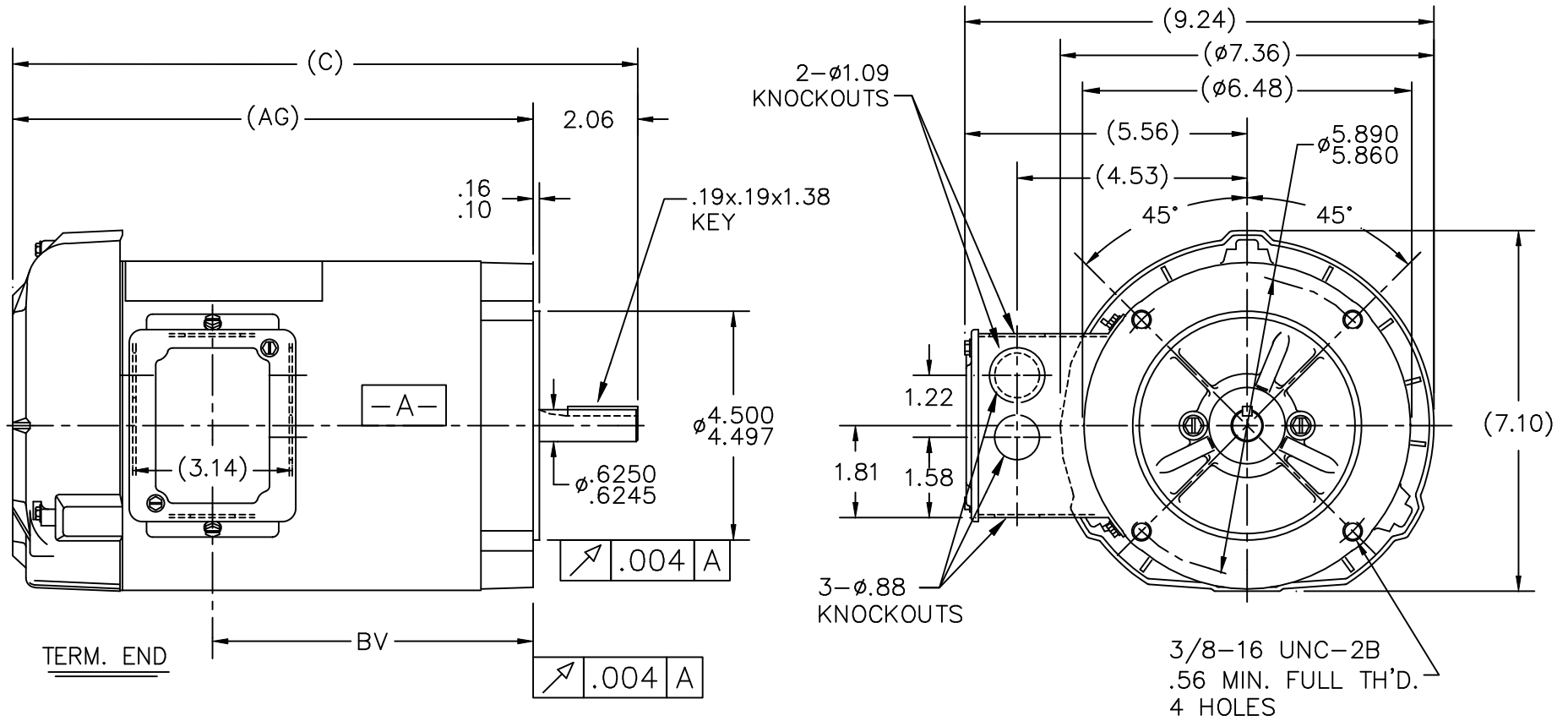
Nameplate Specifications

Output HP	0.33 Hp	Output KW	0.25 kW
Frequency	60 Hz	Voltage	230/460 V
Current	2.2/1.1 A	Speed	1140 rpm
Service Factor	1.15	Phase	3
Efficiency	62 %	Duty	Continuous
Insulation Class	F	Design Code	B
KVA Code	M	Frame	56C
Enclosure	Totally Enclosed Fan Cooled	Overload Protector	No
Ambient Temperature	40 °C	Drive End Bearing Size	203
Opp Drive End Bearing Size	203	UL	Recognized
CSA	Y	CE	N
IP Code	43		

Technical Specifications

Electrical Type	Squirrel Cage Induction Run	Starting Method	Across The Line
Poles	6	Rotation	Reversible
Mounting	Round	Motor Orientation	HORIZONTAL
Drive End Bearing	BALL	Opp Drive End Bearing	BALL
Frame Material	Rolled Steel	Shaft Type	NEMA 56
Overall Length	11.32 in	Frame Length	6.06 in
Shaft Diameter	0.625 in	Shaft Extension	1.88 in
Assembly/Box Mounting	F1 ONLY		
Outline Drawing	A-100103LN-606	Connection Diagram	A-EE7308-LN

This is an uncontrolled document once printed or downloaded and is subject to change without notice. Date Created: 10/15/2018



- NOTE:
 1. NAMEPLATE READ FROM CONDUIT BOX SIDE.
 2. METAL NP READ FROM TERM END.

DASH	FR.	C	AG	BV	DASH	FR.	C	AG	BV
606	56-60	11.32	9.25	5.31	806	56-80	13.32	11.25	7.31
656	"-65	11.82	9.75	5.81	856	"-85	13.82	11.75	7.81
706	"-70	12.32	10.25	6.31	906	"-90	14.32	12.25	8.31
756	"-75	12.82	10.75	6.81	956	"-95	14.82	12.75	8.81

				TOLERANCES UNLESS SPECIFIED				DRAWN RWR 03/11/2004				
				DEC.	INCHES			CHK ML 03/12/2004				
				.X	±.1			APPD GK 03/12/2004				
3	ADDED NOTE & 2		CN29200-3978	RJW 01-13-2005	.XX	±.03	TITLE OUTLINE		SCALE 5=16			
2	DELETED NOTES 2 & 3			RJW 10-18-2004	.XXX	±.005	56 FR. -TEFC -'C'FACE		REF CN32620			
1	REVISED NAMEPLATE NOTE.		MU50676	NJS 05-11-2004	ML .XXXX	±.0005	MAT'L.		FMF			
NO.	REVISION			BY & DATE	CHK	ANG	FINISH		PREV			
THIS DRAWING IN DESIGN AND DETAIL IS OUR PROPERTY AND MUST NOT BE USED EXCEPT IN CONNECTION WITH OUR WORK ALL RIGHTS OF DESIGN AND INVENTION ARE RESERVED THIS IS AN ELECTRONICALLY GENERATED DOCUMENT - DO NOT SCALE THIS PRINT				RFP	CAD FILE 100103ln				SIZE A	DRAWING NO. 100103LN	PAGE 1 OF 1	REV. 3
				DIST	WP							



THREE PHASE
DUAL VOLTAGE MOTOR

HIGH VOLTAGE



LOW VOLTAGE



VIEW OF TERMINAL END

REF.
WINDING DIAGRAM

T8Y, T2Y, T2BL, T4BX, T2EC, T2G
T6BZ, T2B, T6BL, T4AV, T6B, T4B

OPTIONAL CORD
CONNECTION

L1 WHITE
L2 RED
L3 BLACK

NO.	REVISION	BY & DATE	CHK	TOLERANCES UNLESS SPECIFIED		FINISH	DRAWN	DATE		
				DEC.	INCHES					
				.X	±.1		BLR	06/11/1999		
							ML	06/18/1999		
							GK	06/18/1999		
3	ADDED THE OPTIONAL CORD CONNECTION MU46318	RDH 04/24/2003	DRS	.XX	±.02	TITLE CONNECTION DIAGRAM		SCALE 1=1		
2	RE-ISSUE, ADDED '-' TO PART NUMBER	BLR 08/09/1999	GK	.XXX	±.005	3∅ - DUAL VOLTAGE MOTOR		REF		
1	NEW DRAWING	BLR 06/18/1999	GK	.XXXX	±.0005	MAT'L.		FMF		
				ANG	±7'30"			PREV		
THIS DRAWING IN DESIGN AND DETAIL IS OUR PROPERTY AND MUST NOT BE USED EXCEPT IN CONNECTION WITH OUR WORK ALL RIGHTS OF DESIGN AND INVENTION ARE RESERVED THIS IS AN ELECTRONICALLY GENERATED DOCUMENT - DO NOT SCALE THIS PRINT				RFP	CAD FILE EE7308LN		SIZE A	DRAWING NO. EE7308-LN	PAGE OF 3	REV. 3
				DIST WP						



Date: 2/1/2018

LM24858



Data @ 460 V

		Motor Load Data					LR	
Load		0%	25%	50%	75%	100%	115%	125%
Current (Amps)		0.98	0.99	1.00	1.00	1.10	1.11	1.12
Torque (ft-lb)		0.00	0.35	0.76	1.10	1.50	1.70	2.00
RPM		1200	1195	1180	1160	1140	1.137	1135
Efficiency (%)						62.0	64.0	65.5
P.F. (%)		0.0	25.0	33.5	41.0	48.2	53.0	55.5

		Motor Speed Data					Information Block	
		LR	Pull-Up	BD	Rated	Idle	HP	Sync. RPM
Speed (RPM)		0	400	920	1140	1200	0.3	1200
Current (Amps)		4.6	4.1	3.1	1.10	0.98	56	TEFC
Torque (ft-lb)		5.0	4.5	6.4	1.50	0.00	230/460	TFR

Construction	230/460	V
Voltage	60	Hz
Frequency	B	
Design	M	
LR Code letter	1.15	°C
Service Factor	60	°C
Temp Rise @ FL	CONT	
Duty	40	°C
Ambient	1,000	feet
Elevation	0.04	LB-Fe'
Rotor/Shaft wk²	ZT605	NONE
Rel Wdg	62	dB(A)
Sound Pressure @ 1M	NONE	
VFD Rating	A-100103LN-606	
Outline Dwg	A-EE7308-LN	
Conn. Diag		
Additional Specifications:		
0		
EQUIV CKT (OHMS / PHASE)		
R1	R2	X1
0.0000	0.0000	0.0000
X2	Xm	
0.0000	0.0000	

