

PRODUCT INFORMATION PACKET



Model No: LM24809
Catalog No: LM24809
0.50 HP Agricultural Motor, 1 phase, 1800 RPM, 115/230 V, 56Z Frame, TEAO
Agricultural Motors



Regal and Leeson are trademarks of Regal Beloit Corporation or one of its affiliated companies.
©2019 Regal Beloit Corporation, All Rights Reserved. MC017097E

The Regal logo is positioned in the bottom right area of the page. It features the word "REGAL" in a white, bold, sans-serif font, set against a dark grey, trapezoidal background. The background of the entire page on the right side is a blue gradient with a halftone dot pattern.



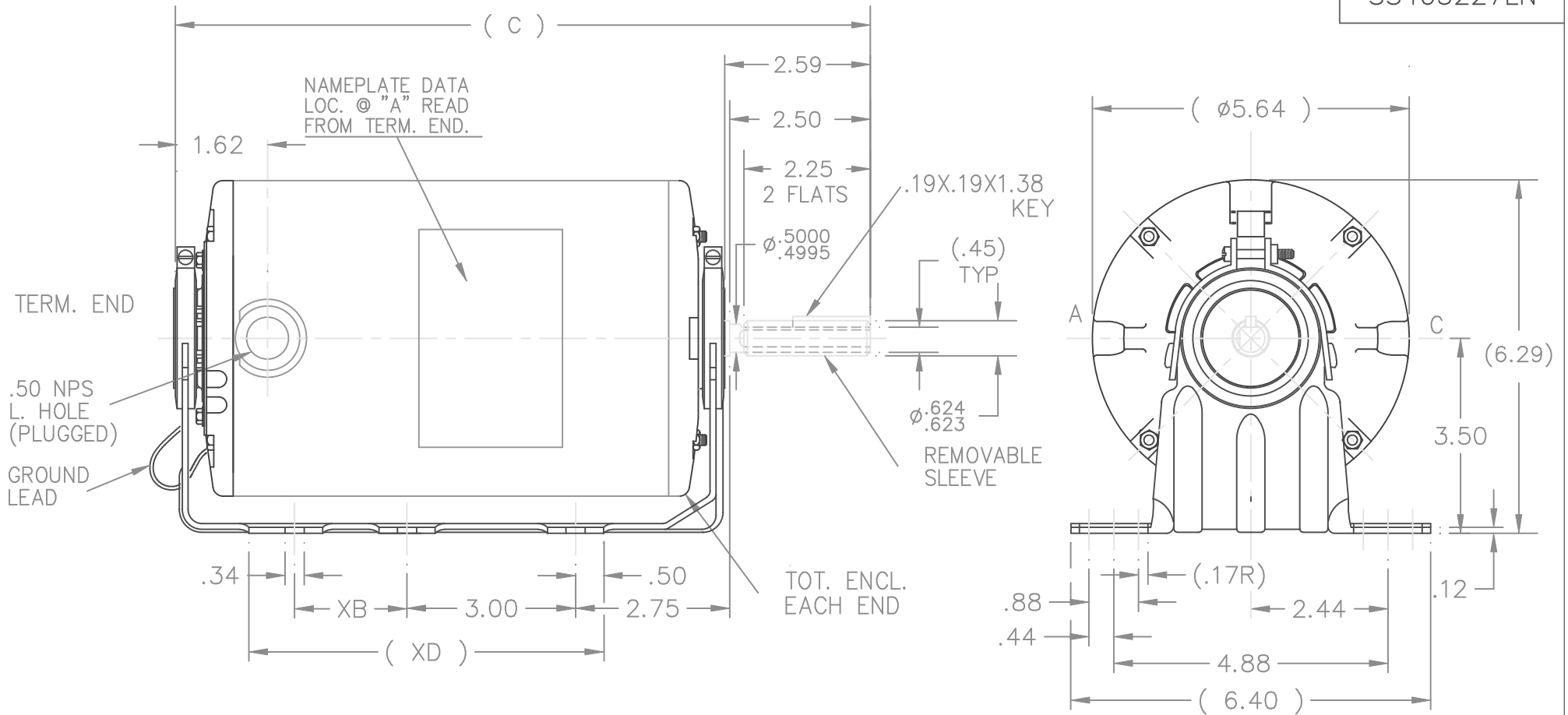
Nameplate Specifications

Output HP	0.50 Hp	Output KW	0.37 kW
Frequency	60 Hz	Voltage	115/230 V
Current	6.6/3.3 A	Speed	1725 rpm
Service Factor	1	Phase	1
Efficiency	73 %	Power Factor	68
Duty	Continuous	Insulation Class	F
Design Code	No Design Code	KVA Code	L
Frame	56Z	Enclosure	Totally Enclosed Air Over
Thermal Protection	Automatic Lock Rotor Only	Ambient Temperature	40 °C
Drive End Bearing Size	203	Opp Drive End Bearing Size	203
UL	Recognized	CSA	Y
CE	N	IP Code	43

Technical Specifications

Electrical Type	Split Phase	Starting Method	Across The Line
Poles	4	Rotation	Selective Counterclockwise
Resistance Main	0 Ohms	Mounting	Resilient Base
Motor Orientation	Horizontal	Drive End Bearing	Ball
Opp Drive End Bearing	Ball	Frame Material	Rolled Steel
Shaft Type	Single Special Extension	Overall Length	11.34 in
Frame Length	6.75 in	Shaft Diameter	0.500 in
Shaft Extension	2.5 in	Assembly/Box Mounting	F1 Only

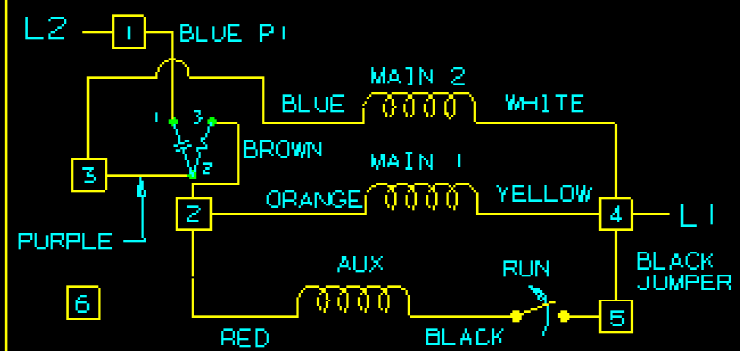
This is an uncontrolled document once printed or downloaded and is subject to change without notice. Date Created:01/11/2019



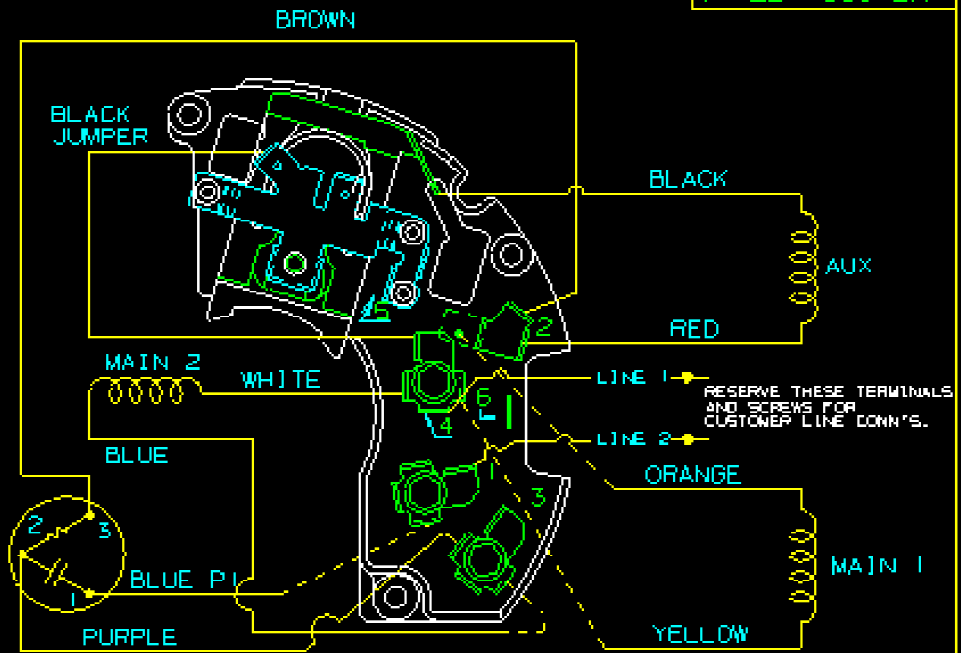
DASH	FR	C	XB	XD
650	48	11.09	0	5.00
675	48	11.34	0	5.31

				TOLERANCES UNLESS SPECIFIED		Lincoln MOTORS		DRAWN HLB 04-19-2002		
				DEC.	INCHES	TITLE		CHK ML 04-19-2002		
				.X	±.1	OUTLINE		APPD TOM 04-19-2002		
				.XX	±.03			SCALE 3=8		
2	REVISED PART NO., WAS 403227LN MU41409	HLB 04/25/02	ML	.XXX	±.005			REF		
1	NEW DRAWING MU41409	HLB 4/19/02	TOM	.XXXX	±.0005	MAT'L.		FMF LM24809		
NO.	REVISION	BY & DATE	CHK	ANG	±1/2'	FINISH		PREV		
THIS DRAWING IN DESIGN AND DETAIL IS OUR PROPERTY AND MUST NOT BE USED EXCEPT IN CONNECTION WITH OUR WORK ALL RIGHTS OF DESIGN AND INVENTION ARE RESERVED THIS IS AN ELECTRONICALLY GENERATED DOCUMENT - DO NOT SCALE THIS PRINT				RFP		CAD FILE	SS403227LN	SIZE	DRAWING NO. PAGE 1 OF 1	REV.
				DIST	WP			A	SS403227LN	2

A- EE7195C-LN

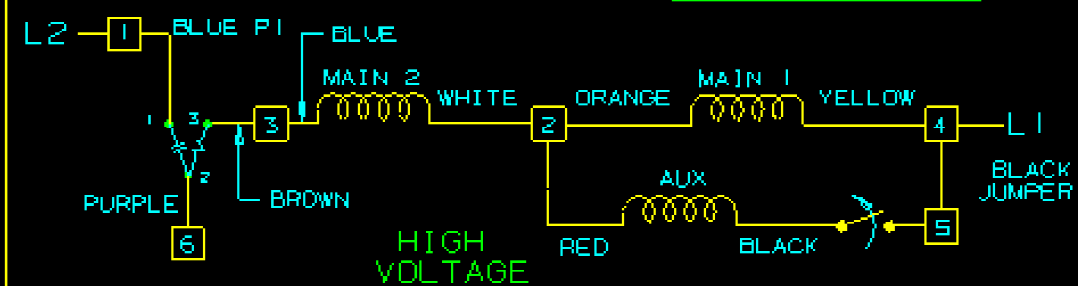


DUAL VOLTAGE - SPLIT PHASE
REVERSIBLE ON TERM BOARD
WITH OVERLOAD PROTECTION



VIEWING TERM END

LOW VOLTAGE CCW ROTATION SHOWN.



FOR HIGH VOLTAGE
CONNECT BROWN TERM 2 TO TERM 3.
CONNECT PURPLE TERM 3 TO TERM 6.
WHITE FROM TERM 4 TO TERM 2

TO REVERSE ROTATION EITHER
VOLTAGE INTERCHANGE RED
LEAD WITH BLACK LEAD.

REV	DATE	CHANGE	NAME
2	05-11-2011	ADDED LEAD MARKER P1 TO BLUE LEAD ISAAC 11-1905	
1	08-11-2011	NEW DRAWING	CTO



UNLESS OTHERWISE SPECIFIED DIMENSIONS ARE IN INCHES TOL. ON XXX .03 XXX .005 XXX .005 ANGLES 1/30"			
MAX. SURFACE ROUGHNESS UNLESS OTHERWISE NOTED		DRAWN BY	CTO 08-08-2011
FINISH		DRWD BY	BLP 08-08-2011
MATERIAL		APPD BY	MAL 08-08-2011

PART NAME CONNECTION DIAGRAM
48 FR. DUAL VOLTAGE REVERSIBLE
DISTRIBUTION **MA - LB - MP - BY** CADD FILE NO. EE7195C-LN