

# PRODUCT INFORMATION PACKET



Model No: SSF4S1T1C6028AP7TP1  
Catalog No: LM24793  
1,1800,TEFC,143T,1/60/115/208-230  
Agricultural



Regal and Leeson are trademarks of Regal Beloit Corporation or one of its affiliated companies.  
©2018 Regal Beloit Corporation, All Rights Reserved. MC017097E





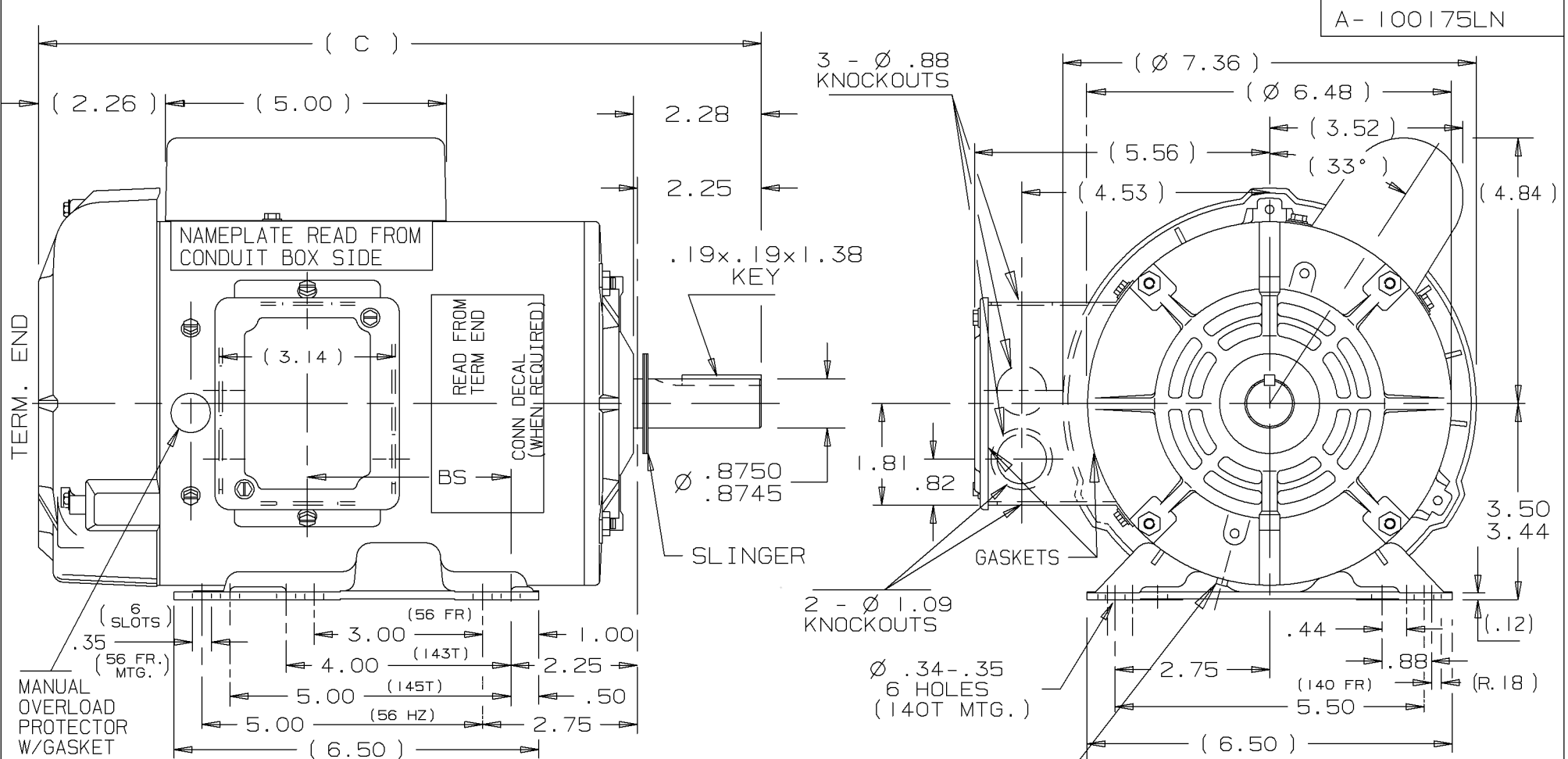
### Nameplate Specifications

Output HP	1 Hp	Output KW	0.75 kW
Frequency	60 Hz	Voltage	115/208-230 V
Current	13.4/6.8-6.7 A	Speed	1725 rpm
Service Factor	1.15	Phase	1
Efficiency	72 %	Duty	Continuous
Insulation Class	B	Design Code	L
KVA Code	J	Frame	143TZ
Enclosure	Totally Enclosed Fan Cooled	Overload Protector	Manual
Ambient Temperature	40 °C	Drive End Bearing Size	205
Opp Drive End Bearing Size	203	UL	Recognized ( Not Protector)
CSA	Y	CE	N
IP Code	43		

### Technical Specifications

Electrical Type	Capacitor Start Induction Run	Starting Method	Across The Line
Poles	4	Rotation	Selective Counterclockwise
Mounting	Rigid base	Motor Orientation	HORIZONTAL
Drive End Bearing	BALL	Opp Drive End Bearing	BALL
Frame Material	Rolled Steel	Shaft Type	T
Overall Length	12.87 in	Frame Length	7.56 in
Shaft Diameter	0.875 in	Shaft Extension	2.25 in
Assembly/Box Mounting	F1 ONLY		
Outline Drawing	A-100175LN-756	Connection Diagram	102005-52-LN

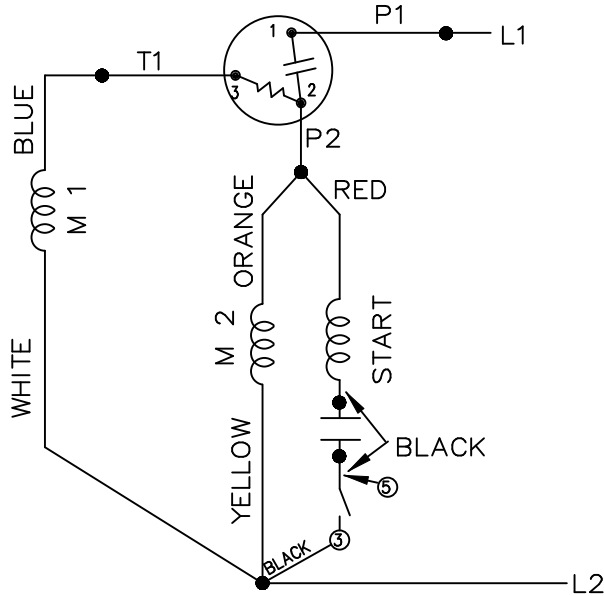
This is an uncontrolled document once printed or downloaded and is subject to change without notice. Date Created: 10/15/2018



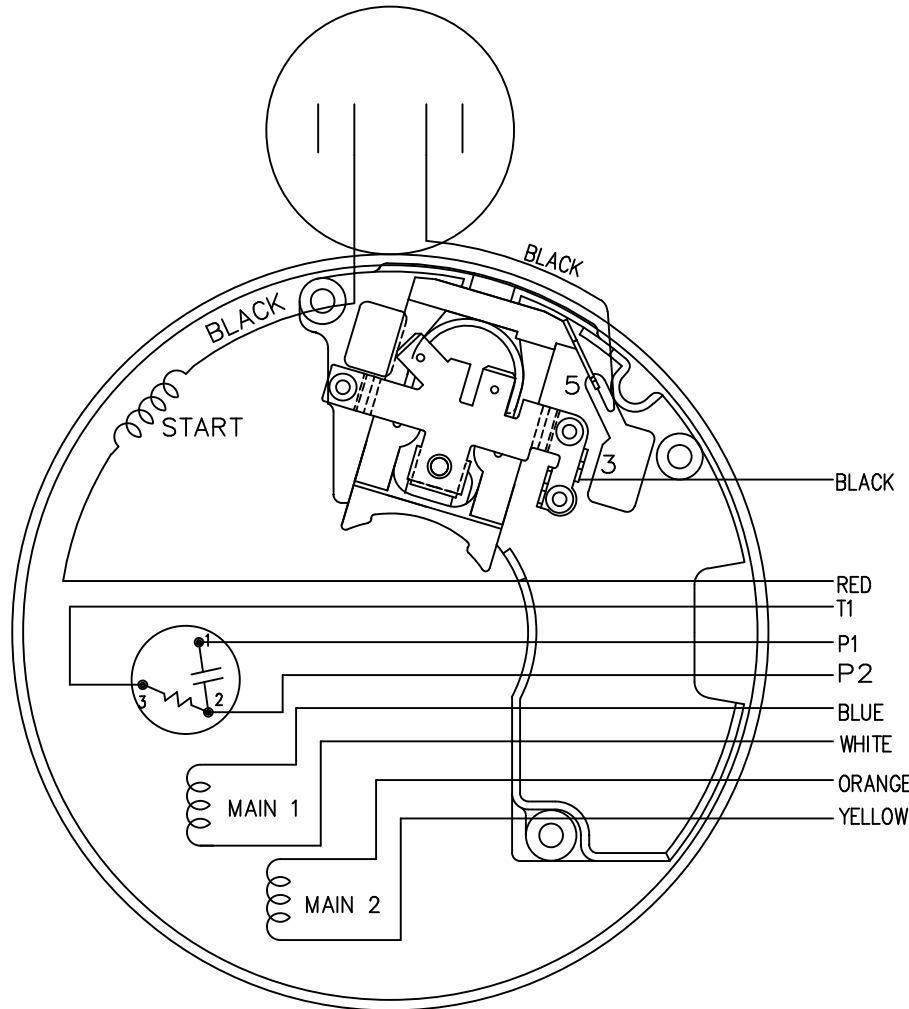
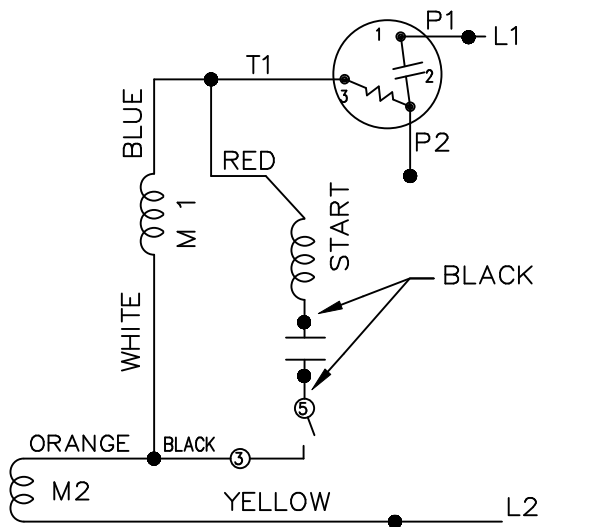
DASH	FR.	C	BS		DASH	FR.	C	BS	
756	140T-56HZ	12.87	3.58						

				<b>Lincoln MOTORS</b>		UNLESS OTHERWISE SPECIFIED DIMENSIONS ARE IN INCHES TOL. ON XX±.03 XXX±.005 XXXX±.0005 ANGLES± 7°30"			
				MAX. SURFACE ROUGHNESS UNLESS OTHERWISE NOTED		DRAWN BY TJB		12-14-1999	
				FINISH		CHKD BY ML		12-14-1999	
				MATERIAL		APPD BY GK		12-14-1999	
REV DATE CHANGE				PART NAME OUTLINE 140T FR 56 HZ - TEFC - 1Ø - BB				DRWG NO A-100175LN	
				PURCHASED		CADD FILE NO.		100175LN	

LOW VOLTAGE - CCW

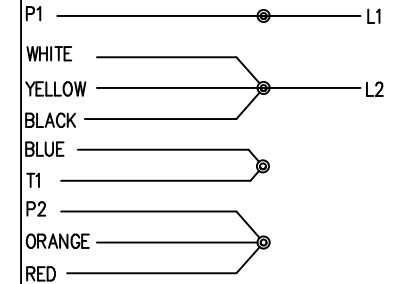


HIGH VOLTAGE - CCW

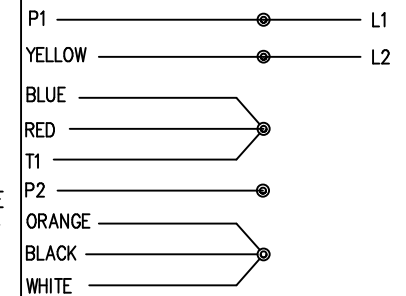


DUAL VOLTAGE  
CAPACITOR START  
OVERLOAD  
SELECT ROTATION

LOW VOLT. CCW ROT.



HIGH VOLT. CCW ROT.



FOR CW ROTATION  
EITHER VOLTAGE  
INTERCHANGE RED  
WITH BLACK

TOLERANCES UNLESS SPECIFIED	
DEC.	INCHES
.X	±.1
.XX	±.02
.XXX	±.005



TITLE CONNECTION DIAGRAM

DRAWN	TAT 9-8-2003
CHK	ML 9-8-2003
APPD	GK 9-8-2003
SCALE	5=8
REF	
FMF	
PREV	

NO.	REVISION	BY & DATE	CHK	ANG	FINISH
1	NEW DRAWING	TAT 9-8-2003	ML	.XXXX	±.0005

THIS DRAWING IN DESIGN AND DETAIL IS OUR PROPERTY AND MUST NOT BE USED EXCEPT IN CONNECTION WITH OUR WORK ALL RIGHTS OF DESIGN AND INVENTION ARE RESERVED THIS IS AN ELECTRONICALLY GENERATED DOCUMENT - DO NOT SCALE THIS PRINT

RFP	CAD FILE 102005-52-ln	SIZE	DRAWING NO.	PAGE	OF	REV.
DIST WP		A	102005-52-LN			1



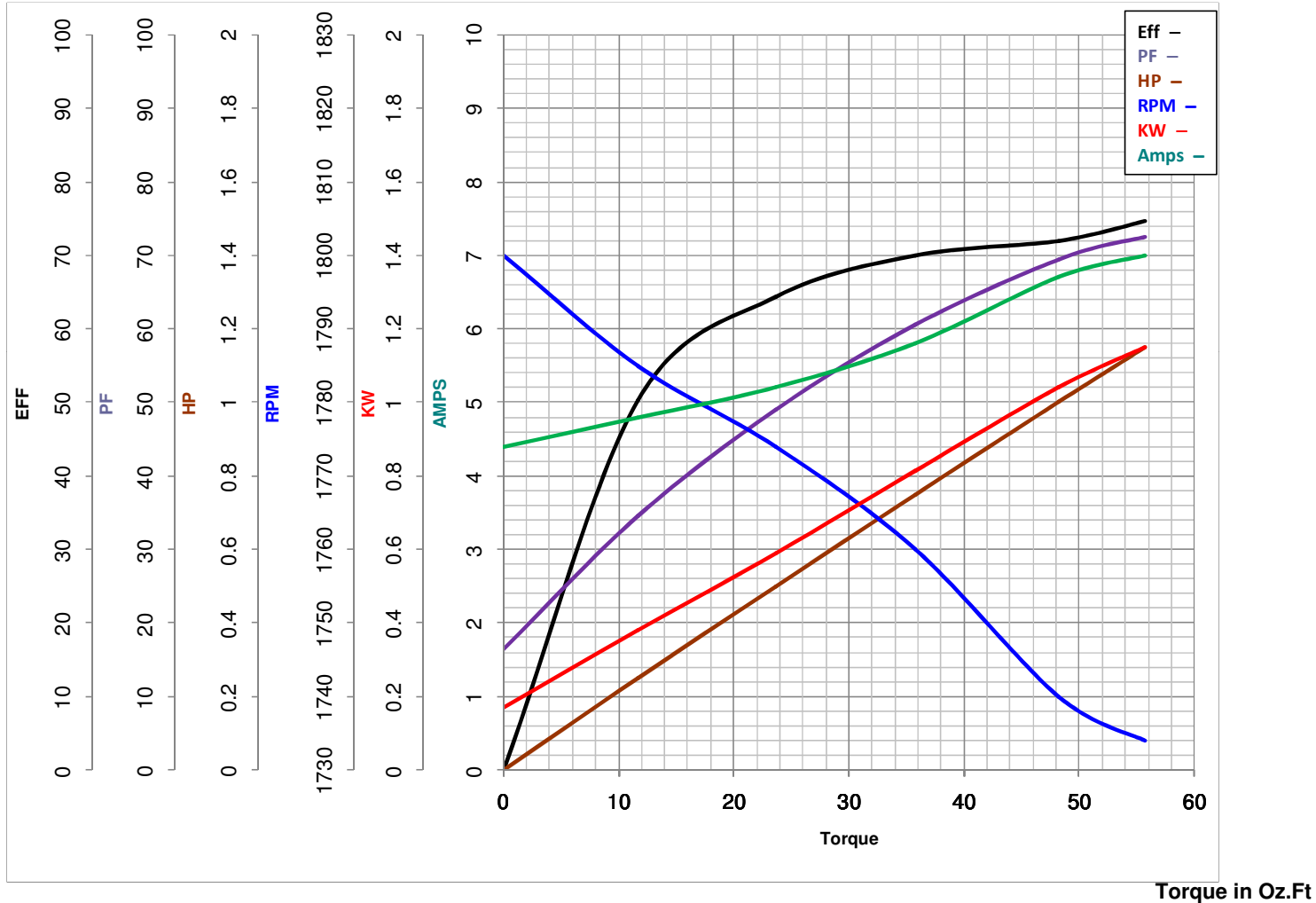
**LEESON ELECTRIC CORPORATION**  
 TYPICAL PERFORMANCE CURVE for AC MOTOR

Model No LM24793

Curve at 230 Volts HP 1.00 PHASE 1  
60 HZ  
1 HP VOLTS 115/208-230

Catalog No LM24793AD

HZ 60 RPM 1725



FL TORQUE	<u>48.3</u> Oz.Ft	FL AMPS	<u>13.4/6.8-6.7</u>
BD TORQUE	<u>122.0</u> Oz.Ft	PU TORQUE	<u>101.0</u> Oz.Ft
LR TORQUE	<u>142.5</u> Oz.Ft	LR AMPS	<u>34.7</u>
WINDING	ZC407-3	Date	3/22/2018