

# PRODUCT INFORMATION PACKET



Model No: SRF4S0.75T1C6028AP7TP1  
Catalog No: LM24791  
3/4,1725,TEFC,56,1/60/115/208-230  
Agricultural



Regal and Leeson are trademarks of Regal Beloit Corporation or one of its affiliated companies.  
©2018 Regal Beloit Corporation, All Rights Reserved. MC017097E





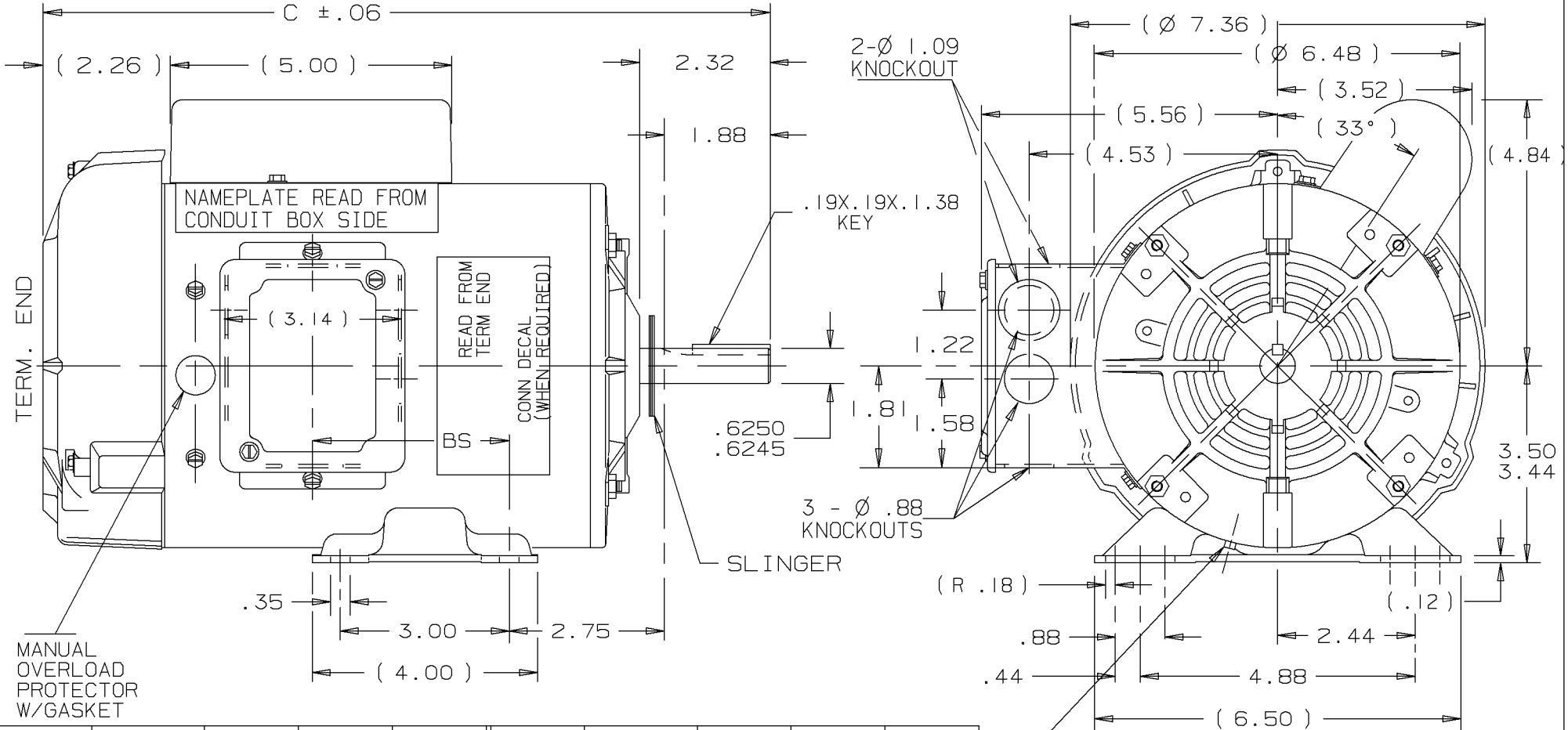
### Nameplate Specifications

Output HP	<b>0.75 Hp</b>	Output KW	<b>0.56 kW</b>
Frequency	<b>60 Hz</b>	Voltage	<b>115/208-230 V</b>
Current	<b>11.0/5.4-5.5 A</b>	Speed	<b>1725 rpm</b>
Service Factor	<b>1.15</b>	Phase	<b>1</b>
Efficiency	<b>70.5 %</b>	Duty	<b>Continuous</b>
Insulation Class	<b>B</b>	Design Code	<b>N</b>
KVA Code	<b>L</b>	Frame	<b>56Z</b>
Enclosure	<b>Totally Enclosed Fan Cooled</b>	Overload Protector	<b>Manual</b>
Ambient Temperature	<b>40 °C</b>	Drive End Bearing Size	<b>6203</b>
Opp Drive End Bearing Size	<b>6203</b>	UL	<b>Recognized</b>
CSA	<b>Y</b>	CE	<b>N</b>
IP Code	<b>43</b>		

### Technical Specifications

Electrical Type	<b>Capacitor Start Induction Run</b>	Starting Method	<b>Across The Line</b>
Poles	<b>4</b>	Rotation	<b>Selective Counterclockwise</b>
Mounting	<b>Rigid base</b>	Motor Orientation	<b>HORIZONTAL</b>
Drive End Bearing	<b>BALL</b>	Opp Drive End Bearing	<b>BALL</b>
Frame Material	<b>Rolled Steel</b>	Shaft Type	<b>Single Special Extension</b>
Overall Length	<b>12.32 in</b>	Frame Length	<b>7.06 in</b>
Shaft Diameter	<b>0.625 in</b>	Shaft Extension	<b>2.32 in</b>
Assembly/Box Mounting	<b>F1 ONLY</b>		
Outline Drawing	<b>A-100137LN-706</b>	Connection Diagram	<b>102005-52-LN</b>

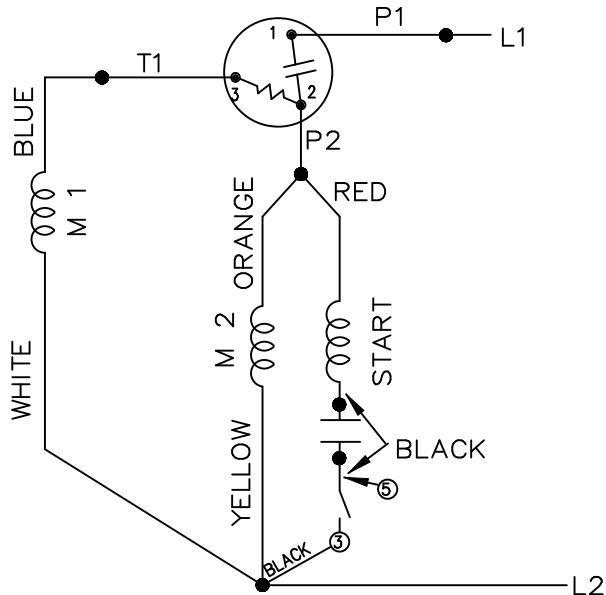
**This is an uncontrolled document once printed or downloaded and is subject to change without notice. Date Created: 10/15/2018**



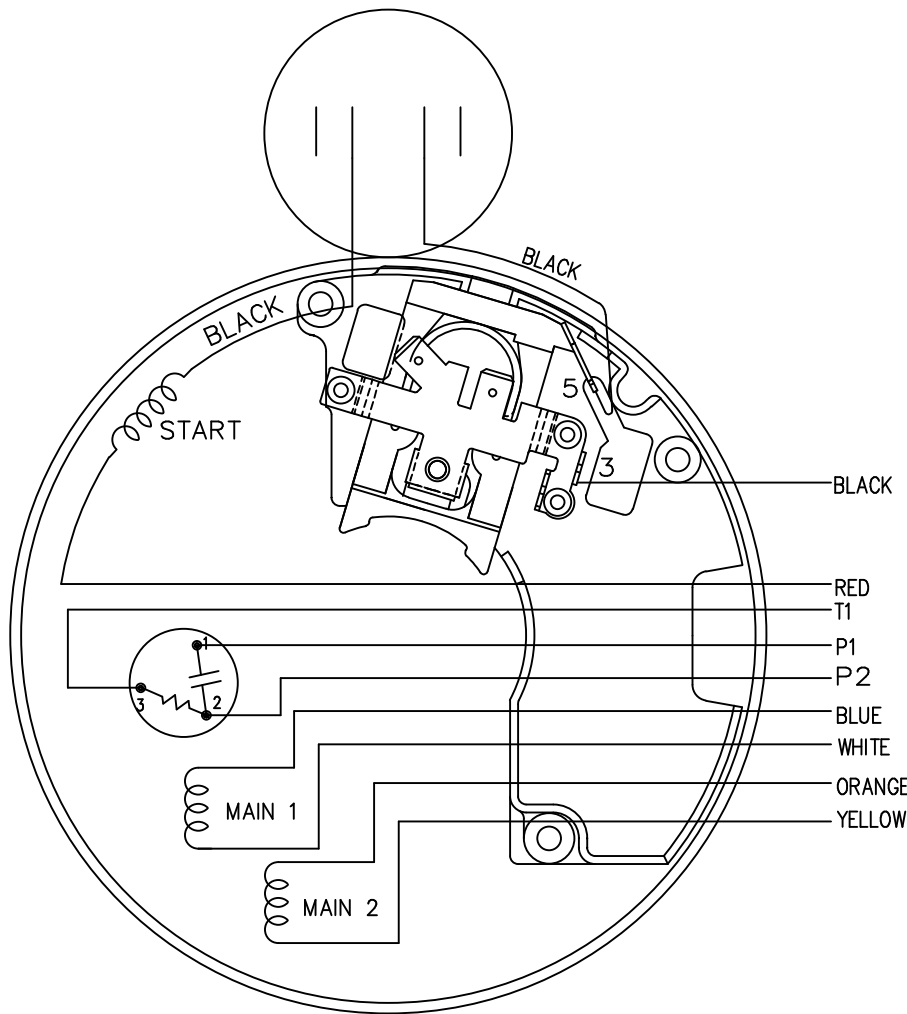
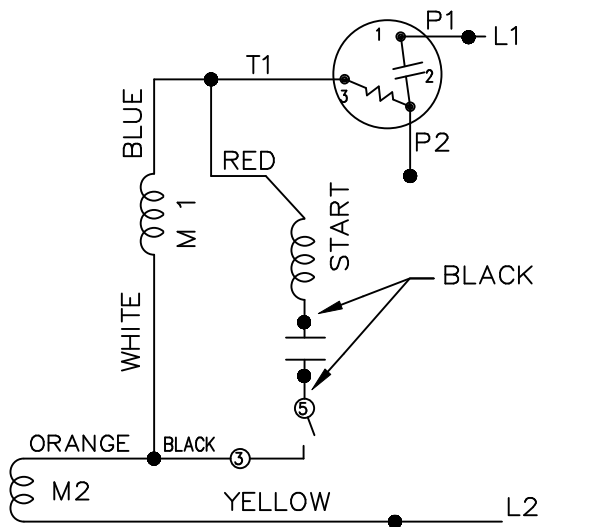
DASH	FR.	C	BS		DASH	FR.	C	BS	
656	56-65	11.82	2.40						
706	56-70	12.32	2.90						
756	56-75	12.82	3.40						

						UNLESS OTHERWISE SPECIFIED DIMENSIONS ARE IN INCHES TOL. ON XX±.03 XXX±.005 XXXX±.0005 ANGLES± 7'30"			
						MAX. SURFACE ROUGHNESS UNLESS OTHERWISE NOTED		DRAWN BY DRS 11-24-1999	
						FINISH		CHKD BY ML 11-24-1999	
						MATERIAL		APPD BY GK 11-24-1999	
				PART NAME OUTLINE		DRWG NO		A-100137LN	
REV DATE CHANGE		NAME		56 FR. - BB - TEFC - 1Ø		PURCHASED		CADD FILE NO. 100137LN	

LOW VOLTAGE - CCW

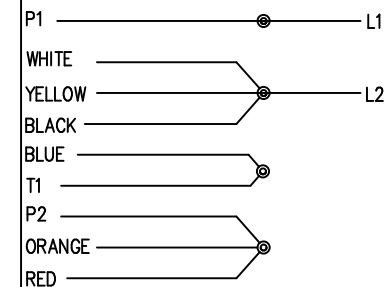


HIGH VOLTAGE - CCW

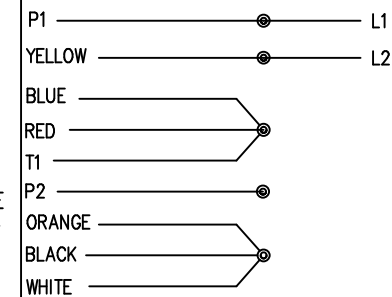


DUAL VOLTAGE  
CAPACITOR START  
OVERLOAD  
SELECT ROTATION

LOW VOLT. CCW ROT.



HIGH VOLT. CCW ROT.



FOR CW ROTATION  
EITHER VOLTAGE  
INTERCHANGE RED  
WITH BLACK

TOLERANCES UNLESS SPECIFIED	
DEC.	INCHES
.X	±.1
.XX	±.02
.XXX	±.005



TITLE CONNECTION DIAGRAM

DRAWN	TAT 9-8-2003
CHK	ML 9-8-2003
APPD	GK 9-8-2003
SCALE	5=8
REF	
FMF	
PREV	

1	NEW DRAWING	TAT 9-8-2003	ML	.XXXX	±.0005	MAT'L.
NO.	REVISION	BY & DATE	CHK	ANG	±7'30"	FINISH

THIS DRAWING IN DESIGN AND DETAIL IS OUR PROPERTY AND MUST NOT BE USED EXCEPT IN CONNECTION WITH OUR WORK ALL RIGHTS OF DESIGN AND INVENTION ARE RESERVED THIS IS AN ELECTRONICALLY GENERATED DOCUMENT - DO NOT SCALE THIS PRINT

RFP CAD FILE 102005-52-ln  
DIST WP

SIZE	DRAWING NO.	PAGE	OF	REV.
A	102005-52-LN			1



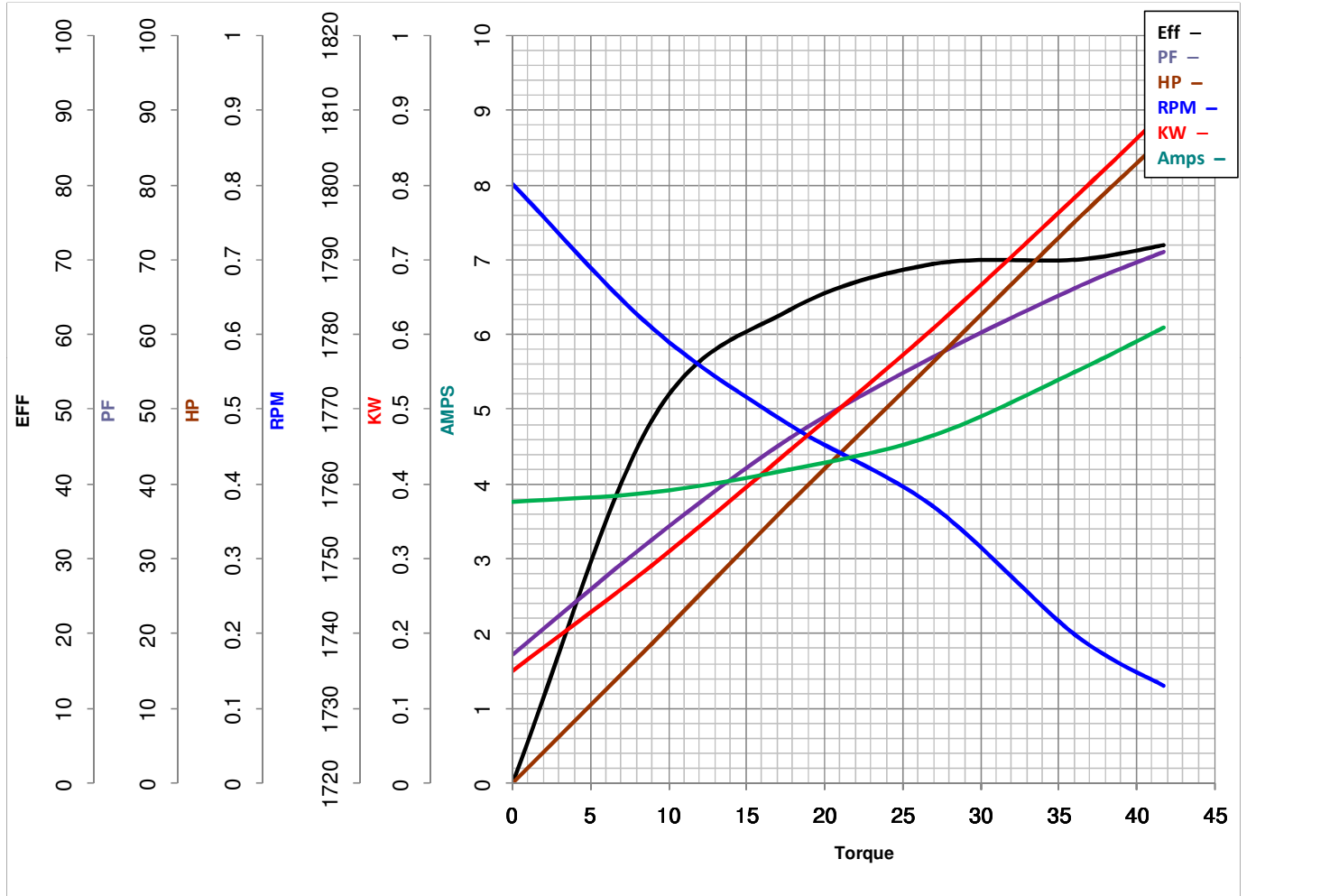
**LEESON ELECTRIC CORPORATION**  
TYPICAL PERFORMANCE CURVE for AC MOTOR

Model No LM24791

Curve at 230 Volts      HP 0.75      PHASE 1  
60 HZ  
0.75 HP      VOLTS 115/208-230

Catalog No LM24791D

HZ 60      RPM 1725



<b>FL TORQUE</b>	<u>36</u>	Oz.Ft	<b>FL AMPS</b>	<u>11/5.4-5.5</u>
<b>BD TORQUE</b>	<u>97.9</u>	Oz.Ft	<b>PU TORQUE</b>	<u>72.6</u>
<b>LR TORQUE</b>	<u>133</u>	Oz.Ft	<b>LR AMPS</b>	<u>30.5</u>
<b>WINDING</b>	ZC469-3		<b>Date</b>	<u>4/17/2018</u>