

PRODUCT INFORMATION PACKET



Model No: SS145A2S3TZ1B66L14MB6TP2
Catalog No: LM24788
3,3600,TEAO,145TZ,1/60/230
Agricultural



Regal and Leeson are trademarks of Regal Beloit Corporation or one of its affiliated companies.
©2018 Regal Beloit Corporation, All Rights Reserved. MC017097E





Nameplate Specifications

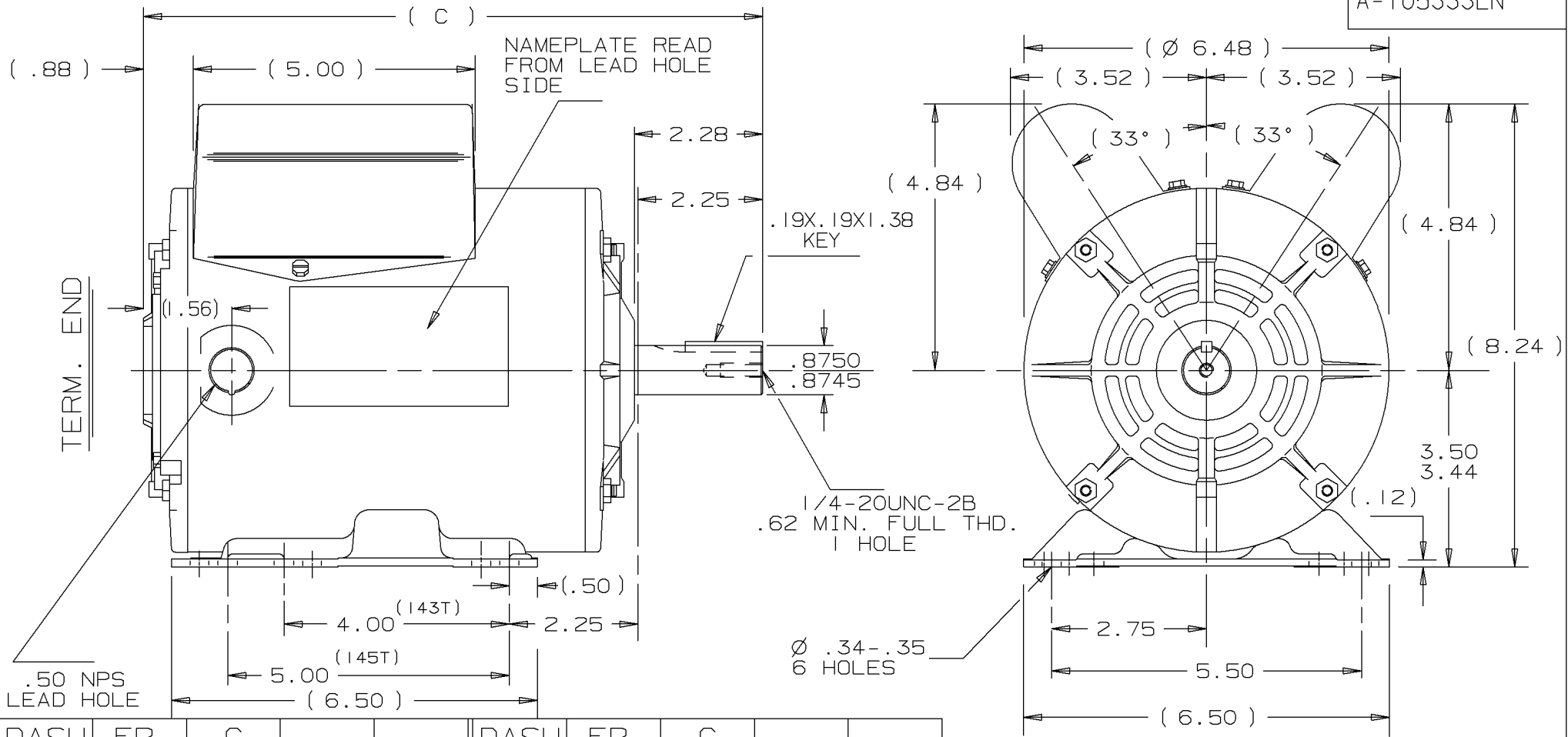
Output HP	3 Hp	Output KW	2.2 kW
Frequency	60 Hz	Voltage	230 V
Current	11.8 A	Speed	3510 rpm
Service Factor	1	Phase	1
Efficiency	84 %	Duty	Continuous
Insulation Class	F	Design Code	NO DESIGN CODE
KVA Code	H	Frame	145TZ
Enclosure	Totally Enclosed Air Over	Overload Protector	Automatic
Ambient Temperature	40 °C	Drive End Bearing Size	205
Opp Drive End Bearing Size	203	UL	Recognized
CSA	Y	CE	N
IP Code	43		

Technical Specifications

Electrical Type	Capacitor Start Capacitor Run	Starting Method	Across The Line
Poles	2	Rotation	Selective Counterclockwise
Mounting	Rigid base	Motor Orientation	HORIZONTAL
Drive End Bearing	BALL	Opp Drive End Bearing	BALL
Frame Material	Rolled Steel	Shaft Type	Single Special Extension
Overall Length	13.49 in	Frame Length	9.56 in
Shaft Diameter	0.875 in	Shaft Extension	2.25 in
Assembly/Box Mounting	F1 ONLY		
Outline Drawing	A-105333LN-956	Connection Diagram	A-102006-14-LN

This is an uncontrolled document once printed or downloaded and is subject to change without notice. Date Created: 10/15/2018

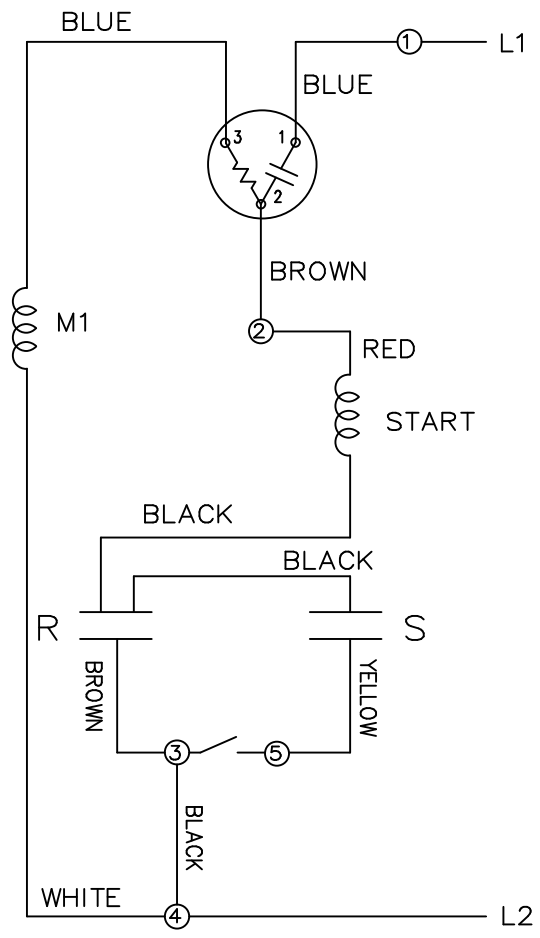
A-105333LN



DASH	FR.	C		DASH	FR.	C	
				856	140T	12.49	
				906	"	12.99	
756	140T	11.49		956	"	13.49	
806	"	11.99					

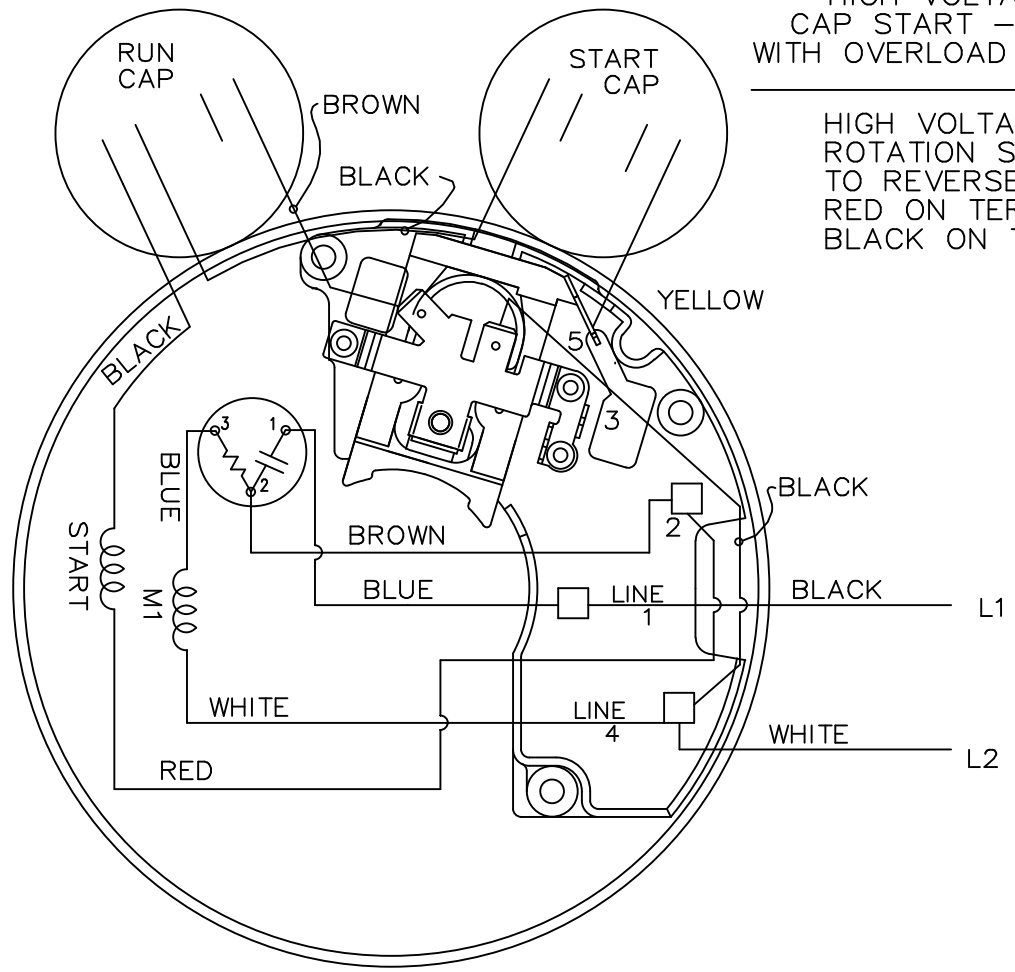
						TOLERANCES UNLESS SPECIFIED		Lincoln MOTORS		DRAWN TJB 03-05-2002		
						DEC.	TOLERANCE			CHK DRS 03-06-2002		
						.X	± .1			APPD ET 03-06-2002		
						.XX	± .03	TITLE OUTLINE		SCALE		
						.XXX	± .005	140 FR. - TENV - BB		REF		
1	NEW DRAWING	MU40635	TJB	03-07-2002	DRS	.XXXX	± .0005	✓ SURFACE ROUGHNESS UNLESS SPECIFIED	MAT'L.	FMF		
NO.	REVISION	BY	DATE	CHK	ANG	± 7'30"		FINISH	PREV			
THIS DRAWING IN DESIGN AND DETAIL IS OUR PROPERTY AND MUST NOT BE USED EXCEPT IN CONNECTION WITH OUR WORK. ALL RIGHTS OF DESIGN AND INVENTION ARE RESERVED. THIS IS AN ELECTRONICALLY GENERATED DOCUMENT - DO NOT SCALE THIS PRINT				PURCHASED		CAD FILE 105333LN		SHOP BOOK		SIZE	DRAWING NO.	REV.
				DIST WA - LA - WP - MI - OR - TX						A	105333LN	I


HIGH VOLTAGE - CCW



HIGH VOLTAGE
CAP START - CAP RUN
WITH OVERLOAD - SELECT ROT.

HIGH VOLTAGE CCW
ROTATION SHOWN
TO REVERSE INTERCHANGE
RED ON TERM. 2 WITH
BLACK ON TERM. 4



				TOLERANCES UNLESS SPECIFIED		 TITLE CONNECTION DIAGRAM		DRAWN DRS 04-18-2002		
				DEC.	INCHES			CHK ML 04-18-2002		
				.X	±.1			APPD GK 04-18-2002		
				.XX	±.02			SCALE 5=8		
				.XXX	±.005			REF		
1	NEW DRAWING	DRS 04-18-02	ML	.XXXX	±.0005	MAT'L.		FMF		
NO.	REVISION	BY & DATE	CHK	ANG	±7'30"	FINISH		PREV		
THIS DRAWING IN DESIGN AND DETAIL IS OUR PROPERTY AND MUST NOT BE USED EXCEPT IN CONNECTION WITH OUR WORK ALL RIGHTS OF DESIGN AND INVENTION ARE RESERVED THIS IS AN ELECTRONICALLY GENERATED DOCUMENT - DO NOT SCALE THIS PRINT				RFP		CAD FILE	102006-14-LN	SIZE	DRAWING NO. PAGE OF	REV.
				DIST	WP			A	102006-14-LN	1

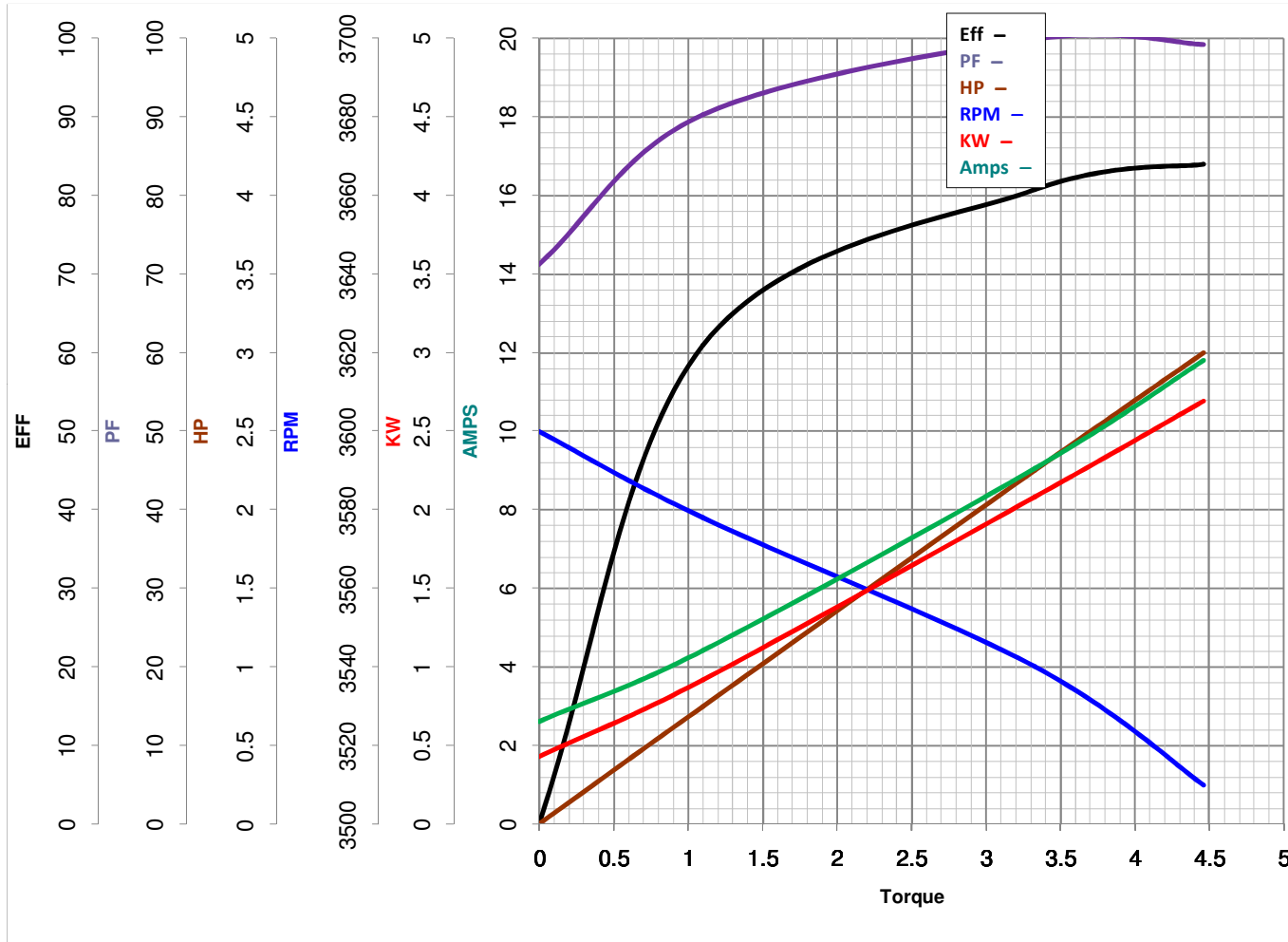


LEESON ELECTRIC CORPORATION
 TYPICAL PERFORMANCE CURVE for AC MOTOR

Model No LM24788

Catalog No LM24788BB

Curve at 230 Volts HP 3.00 PHASE 1
60 HZ
3 HP VOLTS 230
 HZ 60 RPM 3510



Torque in lb-Ft

FL TORQUE 4.46 lb-Ft
 BD TORQUE 13.2 lb-Ft
 LR TORQUE 8.46 lb-Ft

FL AMPS 11.8
 PU TORQUE 6.8 lb-Ft
 LR AMPS 91

WINDING ZB202-4

Date 4/23/2018