

PRODUCT INFORMATION PACKET



Model No: SSA2S1.5TZ1C6027L14MB6TP2
Catalog No: LM24787
1 1/2,3600,TEAO,143TZ,1/60/115/230
Agricultural



Regal and Leeson are trademarks of Regal Beloit Corporation or one of its affiliated companies.
©2018 Regal Beloit Corporation, All Rights Reserved. MC017097E





Nameplate Specifications

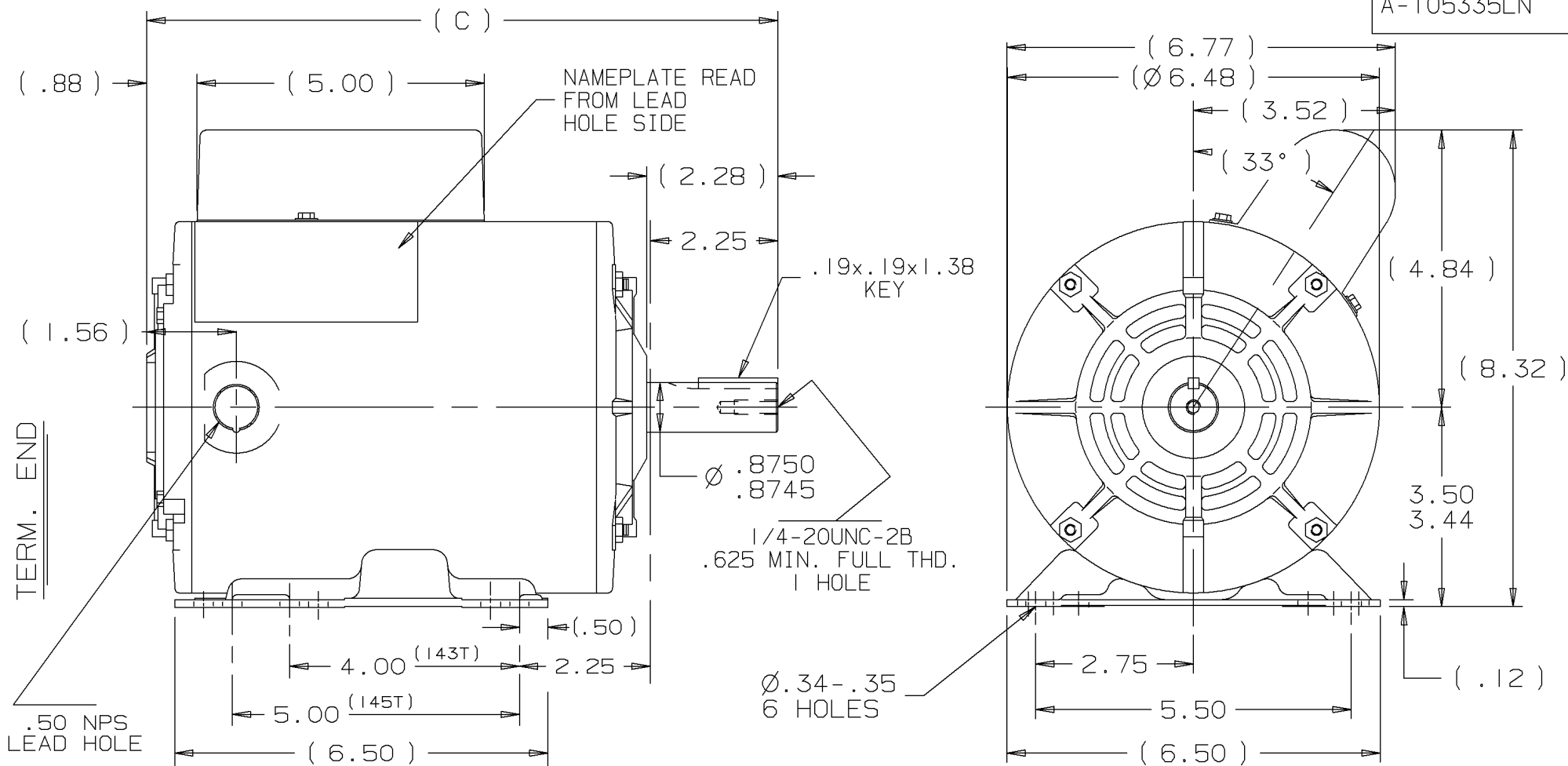
Output HP	1.50 Hp	Output KW	1.1 kW
Frequency	60 Hz	Voltage	115/230 V
Current	16.8/8.4 A	Speed	3475 rpm
Service Factor	1	Phase	1
Efficiency	70 %	Duty	Continuous
Insulation Class	F	Design Code	NO DESIGN CODE
KVA Code	H	Frame	143TZ
Enclosure	Totally Enclosed Air Over	Overload Protector	Automatic
Ambient Temperature	40 °C	Drive End Bearing Size	205
Opp Drive End Bearing Size	203	UL	Recognized (Not Protector)
CSA	Y	CE	N
IP Code	43		

Technical Specifications


Electrical Type	Capacitor Start Induction Run	Starting Method	Across The Line
Poles	2	Rotation	Selective Counterclockwise
Mounting	Rigid base	Motor Orientation	HORIZONTAL
Drive End Bearing	BALL	Opp Drive End Bearing	BALL
Frame Material	Rolled Steel	Shaft Type	Single Special Extension
Overall Length	11.49 in	Frame Length	7.56 in
Shaft Diameter	0.875 in	Shaft Extension	2.25 in
Assembly/Box Mounting	F1 ONLY		
Outline Drawing	A-105335LN-756	Connection Diagram	A-102005-2-LN

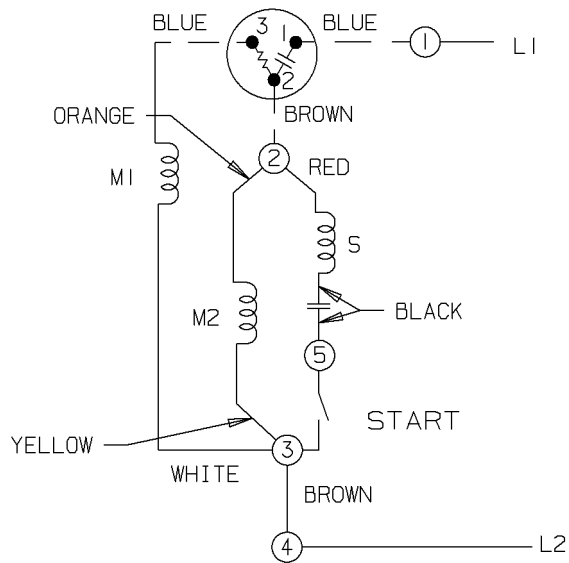
This is an uncontrolled document once printed or downloaded and is subject to change without notice. Date Created: 10/15/2018

A-105335LN

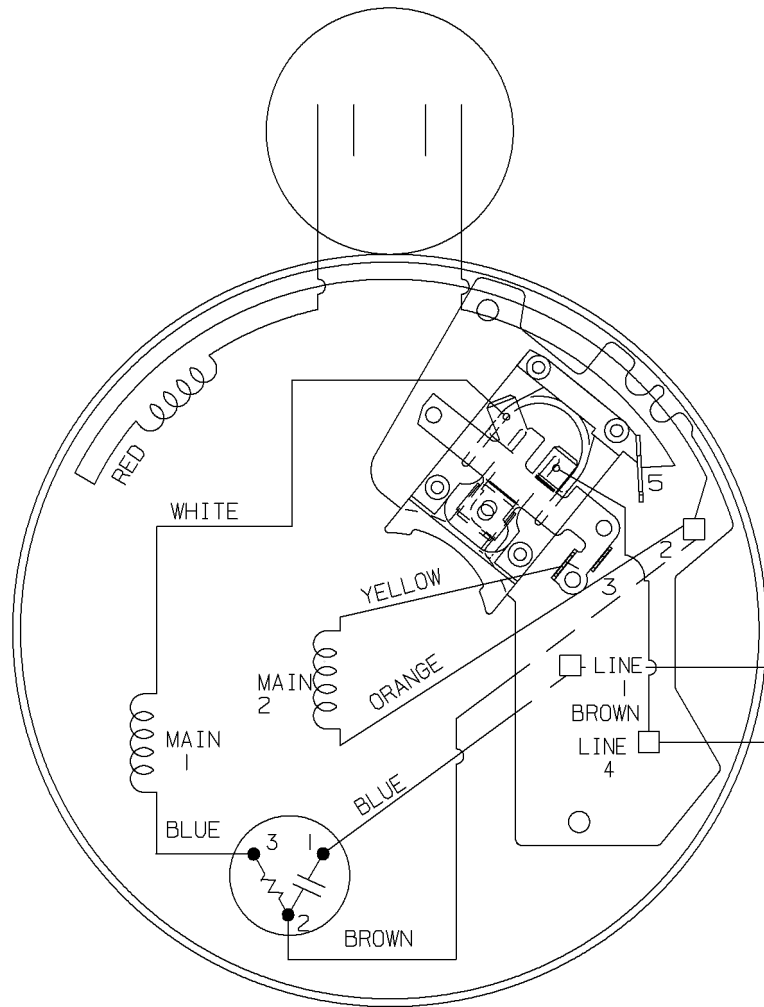
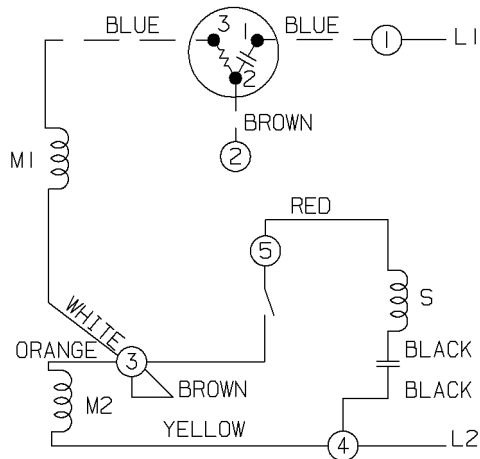


DASH	FR.	C		DASH	FR.	C	
				856	140T	12.49	
756	140T	11.49		906	"	12.99	
806	"	11.99		956	"	13.49	

				TOLERANCES UNLESS SPECIFIED				DRAWN MSG 03-08-2002		
				DEC.	TOLERANCE			CHK DRS 03-11-2002		
				.X	± .1			APPD SAS 03-11-2002		
				.XX	± .03			SCALE		
				.XXX	± .005	TITLE OUTLINE		REF		
				✓ SURFACE ROUGHNESS UNLESS SPECIFIED	MAT'L. FINISH		FMF		PREV	
1	NEW DRAWING	MU40642	MSG 03-11-02	SAS .XXXX	± .0005	140 FR. - TENV - BB				
NO.	REVISION		BY DATE	CHK ANG	± 7'30'	<input checked="" type="checkbox"/> SURFACE ROUGHNESS UNLESS SPECIFIED <input type="checkbox"/> PURCHASED <input type="checkbox"/> CAD FILE 105335LN <input type="checkbox"/> SHOP BOOK	SIZE	DRAWING NO.	REV.	
THIS DRAWING IN DESIGN AND DETAIL IS OUR PROPERTY AND MUST NOT BE USED EXCEPT IN CONNECTION WITH OUR WORK. ALL RIGHTS OF DESIGN AND INVENTION ARE RESERVED. THIS IS AN ELECTRONICALLY GENERATED DOCUMENT - DO NOT SCALE THIS PRINT				DIST WA - LA - WP - MI - OR - TX		A	105335LN			



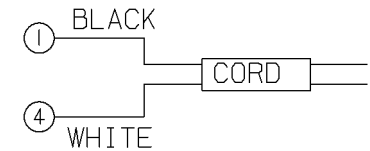
HIGH VOLTAGE - C.C.W.



DUAL VOLTAGE CAPACITOR START OVERLOAD SELECT ROT.

LOW VOLTAGE C.C.W. ROTATION SHOWN. TO REVERSE INTERCHANGE RED WITH BLACK LEAD ON TERMS 2 AND 5.

FOR HIGH VOLTAGE C.C.W. ROT. FIRST REMOVE BROWN JUMPER FROM TERM. 4 AND ATTACH TO TERM.3 AND CONNECT YELLOW LEAD TO TERM.4 AND ORANGE LEAD TO TERM 3. CONNECT RED LEAD TO TERM #5 AND BLACK LEAD FROM TERM #5 TO TERM #4. TO REVERSE INTERCHANGE RED WITH BLACK LEAD ON TERMS 5 AND 4.



CONNECTION FOR CORD

				Lincoln MOTORS	UNLESS OTHERWISE SPECIFIED DIMENSIONS ARE IN INCHES TOL. ON XX± .02 XXX± .005 XXXX± .0005 ANGLES± 7'30"				
					MAX. SURFACE ROUGHNESS UNLESS OTHERWISE NOTED			DRAWN BY TJB	12-08-1999
				FINISH			CHKD BY ML	12-08-1999	
				MATERIAL			APPD BY GK	12-08-1999	
				PART NAME CONNECTION DIAGRAM				DRWG NO A-102005-2-LN	
REV	DATE	CHANGE	NAME					PURCHASED	
								CADD FILE NO. 1020052-LN	



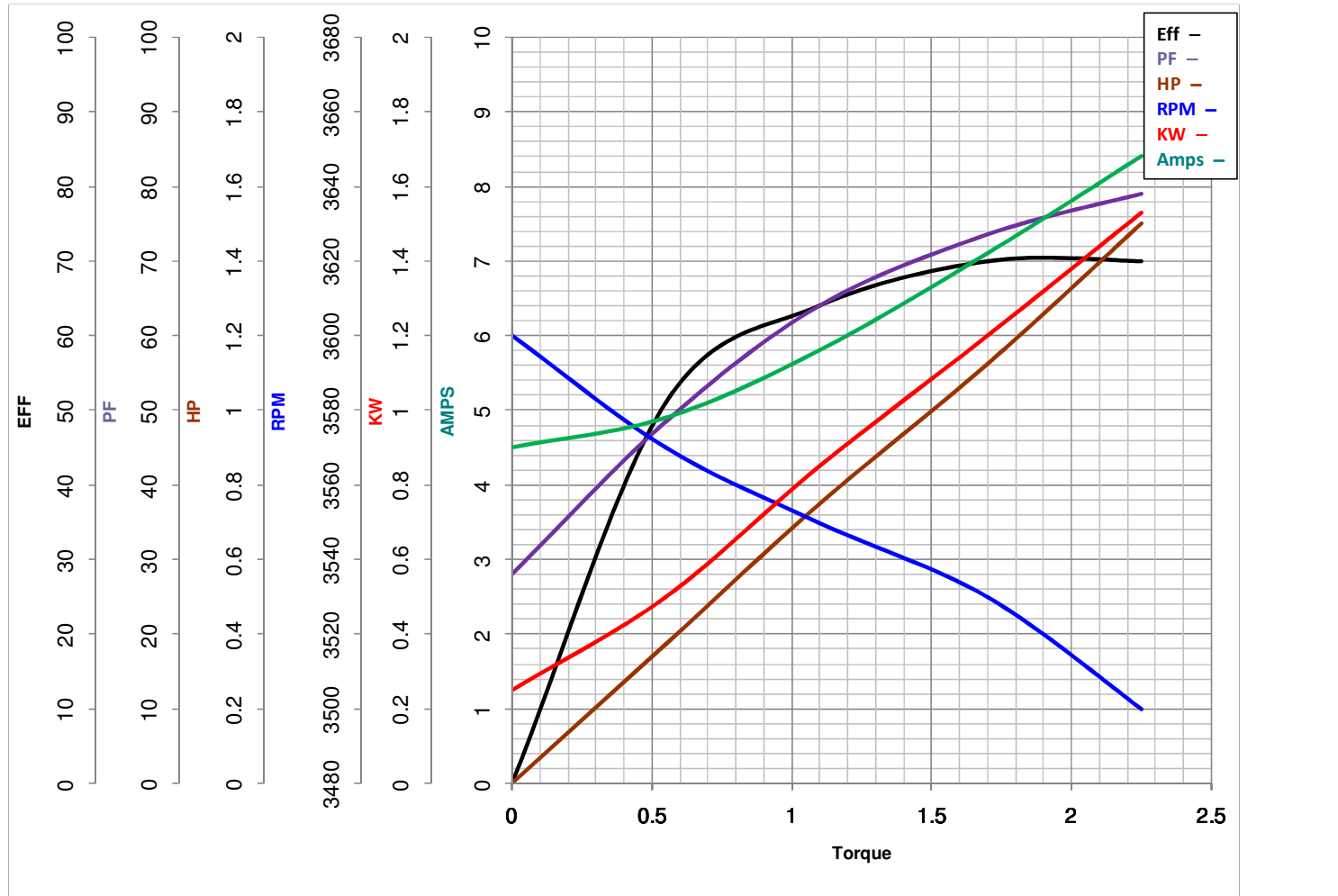
LEESON ELECTRIC CORPORATION
 TYPICAL PERFORMANCE CURVE for AC MOTOR

Model No LM24787

Curve at 230 Volts HP 1.50 PHASE 1
60 HZ
1.5 HP VOLTS 115/230

Catalog No LM24787BB

HZ 60 RPM 3475



FL TORQUE	<u>2.25</u>	Lb.Ft	FL AMPS	<u>16.8/8.4</u>
BD TORQUE	<u>5.5</u>	Lb.Ft	PU TORQUE	<u>4.5</u> Lb.Ft
LR TORQUE	<u>5</u>	Lb.Ft	LR AMPS	<u>47</u>
WINDING	ZC212-3		Date	3/22/2018