

# PRODUCT INFORMATION PACKET



Model No: SRA2S1TZ1C6027L10MB6TP2-1

Catalog No: LM24786

1HP..3600RPM.56Z.TEAO.115/230V.1PH.60HZ.CONT.AUTO.40C.1.15SF.RIGID.Fan.  
Agricultural



Regal and Leeson are trademarks of Regal Beloit Corporation or one of its affiliated companies.

©2018 Regal Beloit Corporation, All Rights Reserved. MC017097E





### Nameplate Specifications

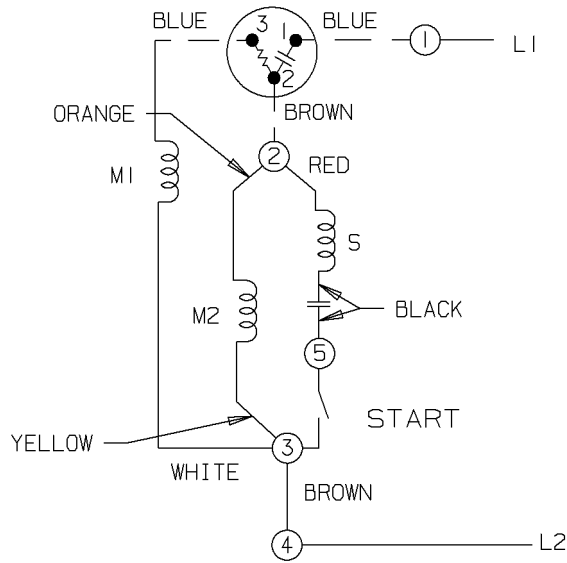
Output HP	1 Hp	Output KW	0.75 kW
Frequency	60 Hz	Voltage	115/230 V
Current	11.2/5.6 A	Speed	3450 rpm
Service Factor	1.15	Phase	1
Efficiency	78.5 %	Duty	Continuous
Insulation Class	F	Design Code	NO DESIGN CODE
KVA Code	L	Frame	56Z
Enclosure	Totally Enclosed Air Over	Overload Protector	Automatic
Ambient Temperature	40 °C	Drive End Bearing Size	6203
Opp Drive End Bearing Size	6203	UL	Recognized ( Not Protector)
CSA	Y	CE	N
IP Code	43		

### Technical Specifications

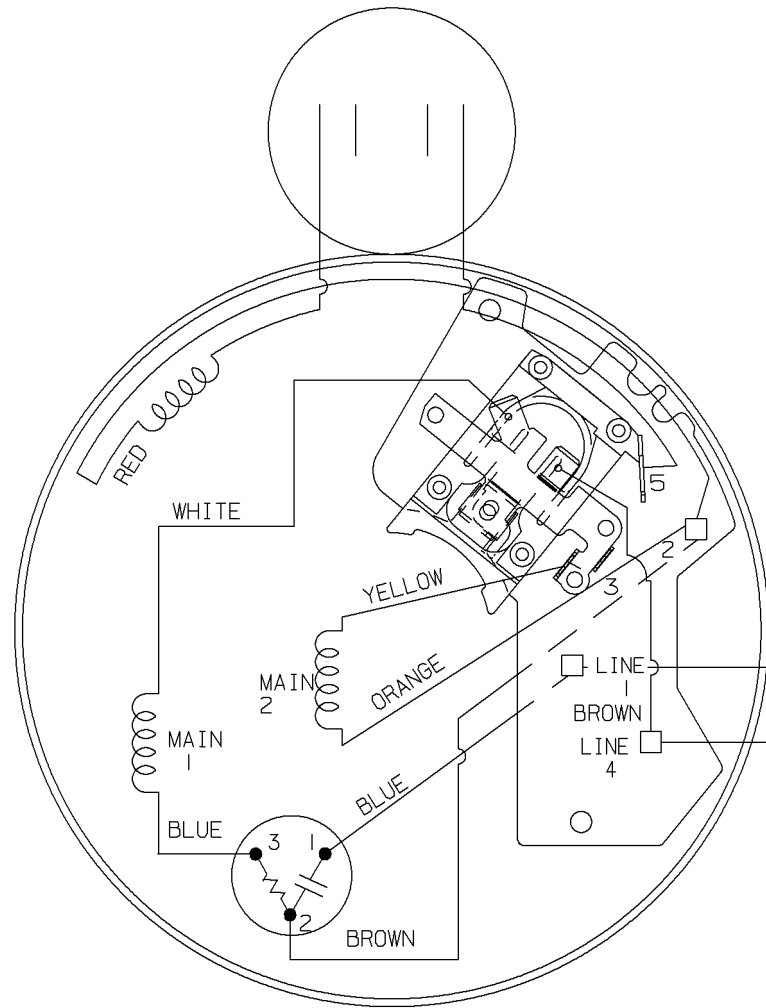
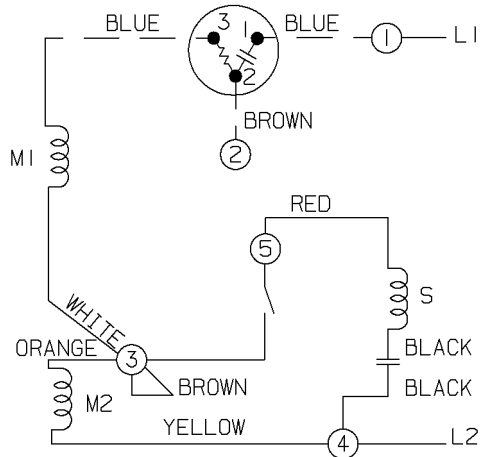
Electrical Type	Capacitor Start Induction Run	Starting Method	Across The Line
Poles	2	Rotation	Selective Counterclockwise
Mounting	Rigid base	Motor Orientation	HORIZONTAL
Drive End Bearing	BALL	Opp Drive End Bearing	BALL
Frame Material	Rolled Steel	Shaft Type	Single Special Extension
Overall Length	10.94 in	Frame Length	7.06 in
Shaft Diameter	0.625 in	Shaft Extension	2.32 in
Assembly/Box Mounting	F1 ONLY		
Outline Drawing	A-100323LN-706	Connection Diagram	A-102005-2-LN

This is an uncontrolled document once printed or downloaded and is subject to change without notice. Date Created: 10/15/2018





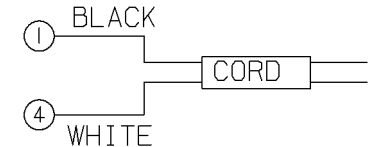
HIGH VOLTAGE - C.C.W.



DUAL VOLTAGE CAPACITOR START OVERLOAD SELECT ROT.

LOW VOLTAGE C.C.W. ROTATION SHOWN. TO REVERSE INTERCHANGE RED WITH BLACK LEAD ON TERMS 2 AND 5.

FOR HIGH VOLTAGE C.C.W. ROT. FIRST REMOVE BROWN JUMPER FROM TERM. 4 AND ATTACH TO TERM. 3 AND CONNECT YELLOW LEAD TO TERM. 4 AND ORANGE LEAD TO TERM 3. CONNECT RED LEAD TO TERM #5 AND BLACK LEAD FROM TERM #5 TO TERM #4. TO REVERSE INTERCHANGE RED WITH BLACK LEAD ON TERMS 5 AND 4.



CONNECTION FOR CORD

					✓ UNLESS OTHERWISE SPECIFIED DIMENSIONS ARE IN INCHES TOL. ON XX± .02    XXX± .005    XXXX± .0005    ANGLES± 7'30"			
					MAX. SURFACE ROUGHNESS UNLESS OTHERWISE NOTED			DRAWN BY TJB 12-08-1999
				FINISH			CHKD BY ML 12-08-1999	
				MATERIAL			APPD BY GK 12-08-1999	
				PART NAME CONNECTION DIAGRAM				DRWG NO A-102005-2-LN
REV	DATE	CHANGE	NAME	PURCHASED				CADD FILE NO. 1020052-LN

