

# PRODUCT INFORMATION PACKET



Model No: SRF4S0.25T1C6028

Catalog No: LM24606

1/4..1800.56.TEFC.115/208-230.1.60....1.15.F1..SRF4S0.25T1C6028

Totally Enclosed Fan Cooled (TEFC)



Regal and Leeson are trademarks of Regal Beloit Corporation or one of its affiliated companies.

©2018 Regal Beloit Corporation, All Rights Reserved. MC017097E





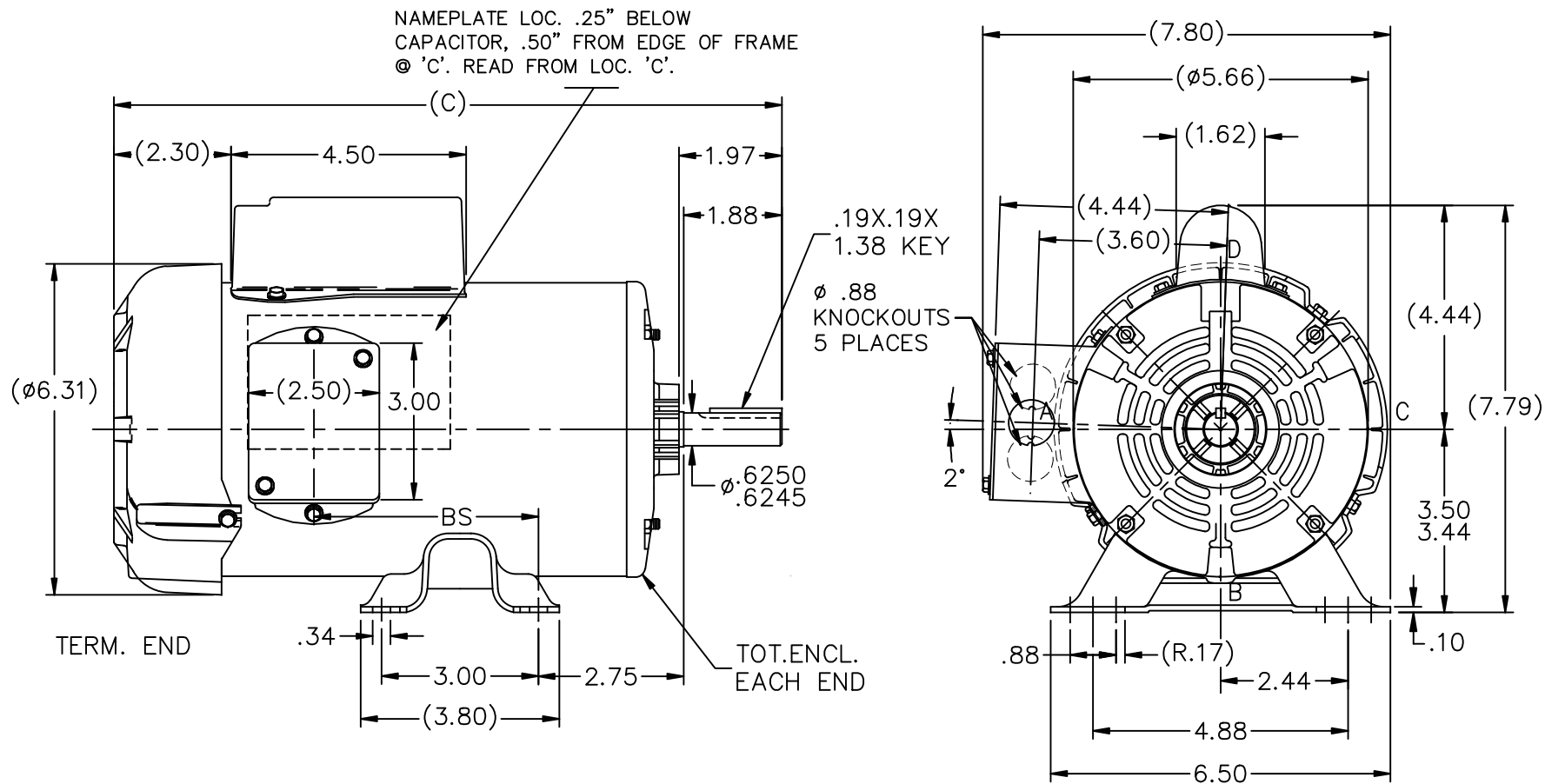
### Nameplate Specifications

Output HP	<b>0.25 Hp</b>	Output KW	<b>0.19 kW</b>
Frequency	<b>60 Hz</b>	Voltage	<b>115/208-230 V</b>
Current	<b>4.0/2.1-2.0 A</b>	Speed	<b>1725 rpm</b>
Service Factor	<b>1.15</b>	Phase	<b>1</b>
Efficiency	<b>64 %</b>	Duty	<b>Continuous</b>
Insulation Class	<b>B</b>	Design Code	<b>NO DESIGN CODE</b>
KVA Code	<b>M</b>	Frame	<b>56Z</b>
Enclosure	<b>Totally Enclosed Fan Cooled</b>	Overload Protector	<b>No</b>
Ambient Temperature	<b>40 °C</b>	Drive End Bearing Size	<b>6203</b>
Opp Drive End Bearing Size	<b>6203</b>	UL	<b>Recognized</b>
CSA	<b>Y</b>	CE	<b>Y</b>
IP Code	<b>43</b>		

### Technical Specifications

Electrical Type	<b>Capacitor Start Induction Run</b>	Starting Method	<b>Across The Line</b>
Poles	<b>4</b>	Rotation	<b>Selective Counterclockwise</b>
Mounting	<b>Rigid base</b>	Motor Orientation	<b>HORIZONTAL</b>
Drive End Bearing	<b>BALL</b>	Opp Drive End Bearing	<b>BALL</b>
Frame Material	<b>Rolled Steel</b>	Shaft Type	<b>Single Special Extension</b>
Overall Length	<b>10.22 in</b>	Frame Length	<b>5.25 in</b>
Shaft Diameter	<b>0.625 in</b>	Shaft Extension	<b>1.88 in</b>
Assembly/Box Mounting	<b>F1 ONLY</b>		
Outline Drawing	<b>A-SS75178LN-525</b>	Connection Diagram	<b>A-EE9023D-LN</b>

**This is an uncontrolled document once printed or downloaded and is subject to change without notice. Date Created: 10/15/2018**

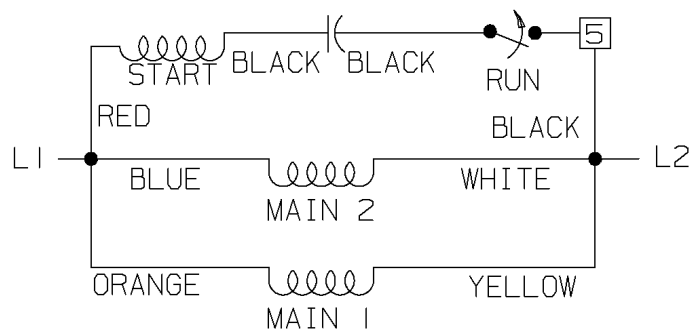


DASH	C	BS	DASH	C	BS
525	10.22	2.05	625	11.22	3.05
550	10.47	2.30			
575	10.72	2.55			

			TOLERANCES UNLESS SPECIFIED		Lincoln MOTORS	DRAWN TRB 09-09-1999			
			DEC.	INCHES		CHK ML 09-09-1999			
			.X	±.1		APPD GK 09-09-1999			
03	FRAME IN TITLTE BLOCK WAS "48" PER ISAAC 11-3382	PG 07/25/11	.XX	±.03	TITLE OUTLINE	SCALE 5=16			
02	ADDED BS DIMENSION	TAT 11-15-2004	ML	.XXX ±.005	S56 FR. - 1°	REF			
01	NEW DRAWING	TRB 09-09-1999		.XXXX ±.0005	MAT'L.	FMF			
NO.	REVISION	BY & DATE	CHK	ANG ±1/2°	FINISH	PREV			
THIS DRAWING IN DESIGN AND DETAIL IS OUR PROPERTY AND MUST NOT BE USED EXCEPT IN CONNECTION WITH OUR WORK ALL RIGHTS OF DESIGN AND INVENTION ARE RESERVED THIS IS AN ELECTRONICALLY GENERATED DOCUMENT - DO NOT SCALE THIS PRINT			RFP		CAD FILE ss75178ln	SIZE A	DRAWING NO. SS75178LN	PAGE OF	REV. 2
			DIST	WP					

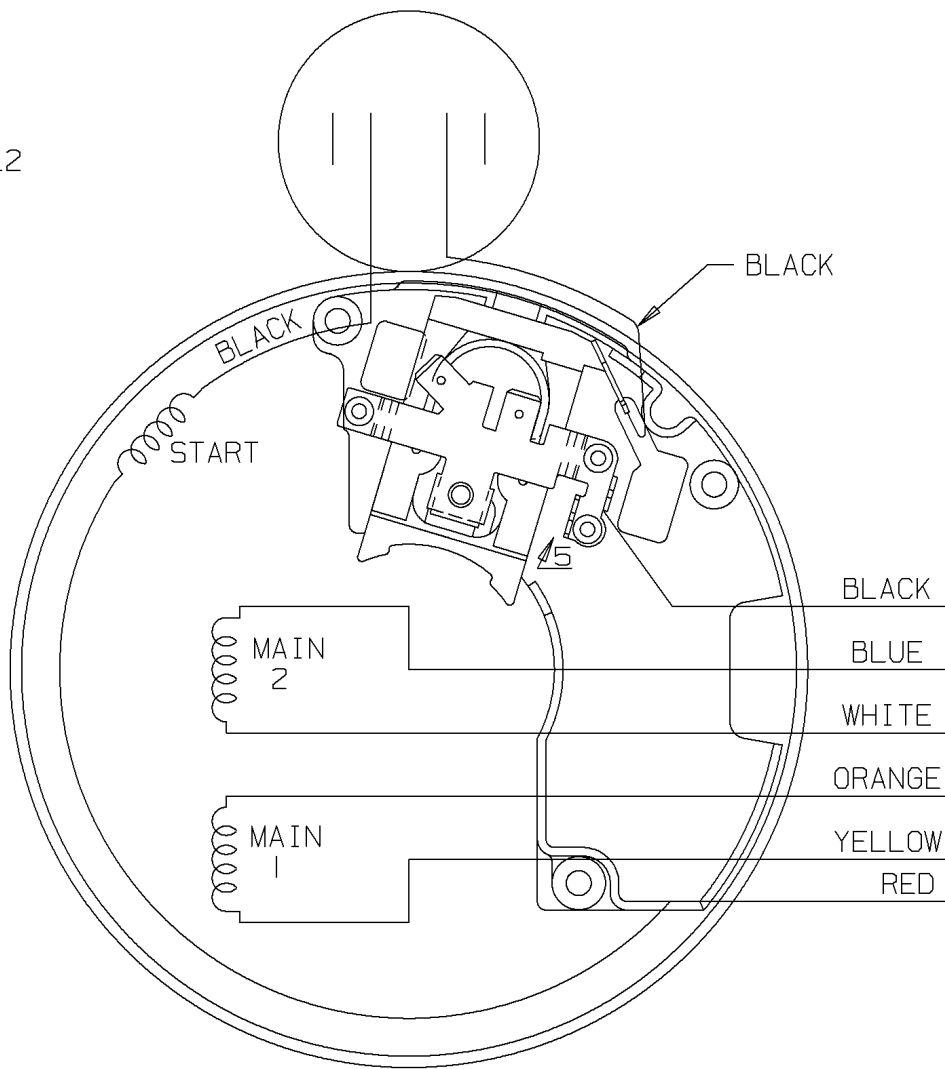
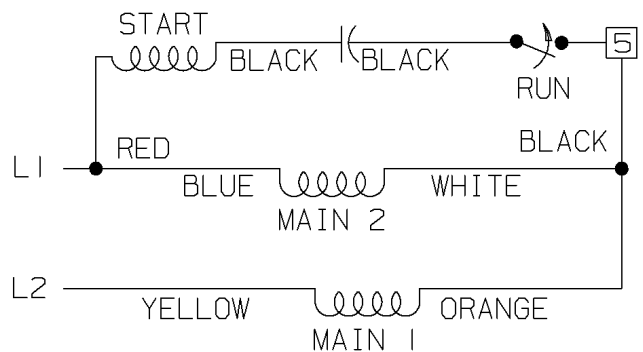
A- EE9023D

LOW VOLTAGE C.C.W.



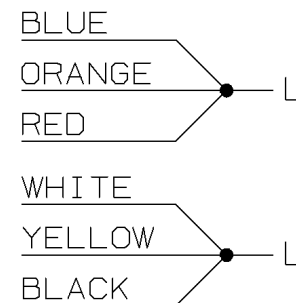
START

HIGH VOLTAGE C.C.W.

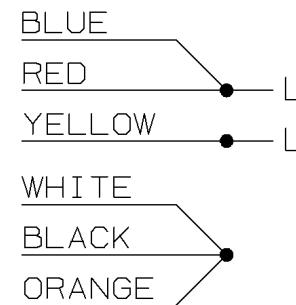


DUAL VOLTAGE  
CAPACITOR START  
NO OVERLOAD  
SELECT ROTATION

LOW VOLT. CCW



HIGH VOLT. CCW



FOR CW ROT. EIT  
VOLTAGE INTERCH  
RED WITH BLACK

A-S4AF4



✓ MAX. SURFACE ROUGHNESS UNLESS OTHERWISE NOTED FINISH MATERIAL		UNLESS OTHERWISE SPECIFIED DIMENSIONS ARE IN INCHES TOL. ON XX± .02    XXX± .005    XXXX± .0005    ANGLES±	
DRAWN BY TJB CHKD BY ML APPD BY GK		11- 11- 11-	

NEW DRAWING

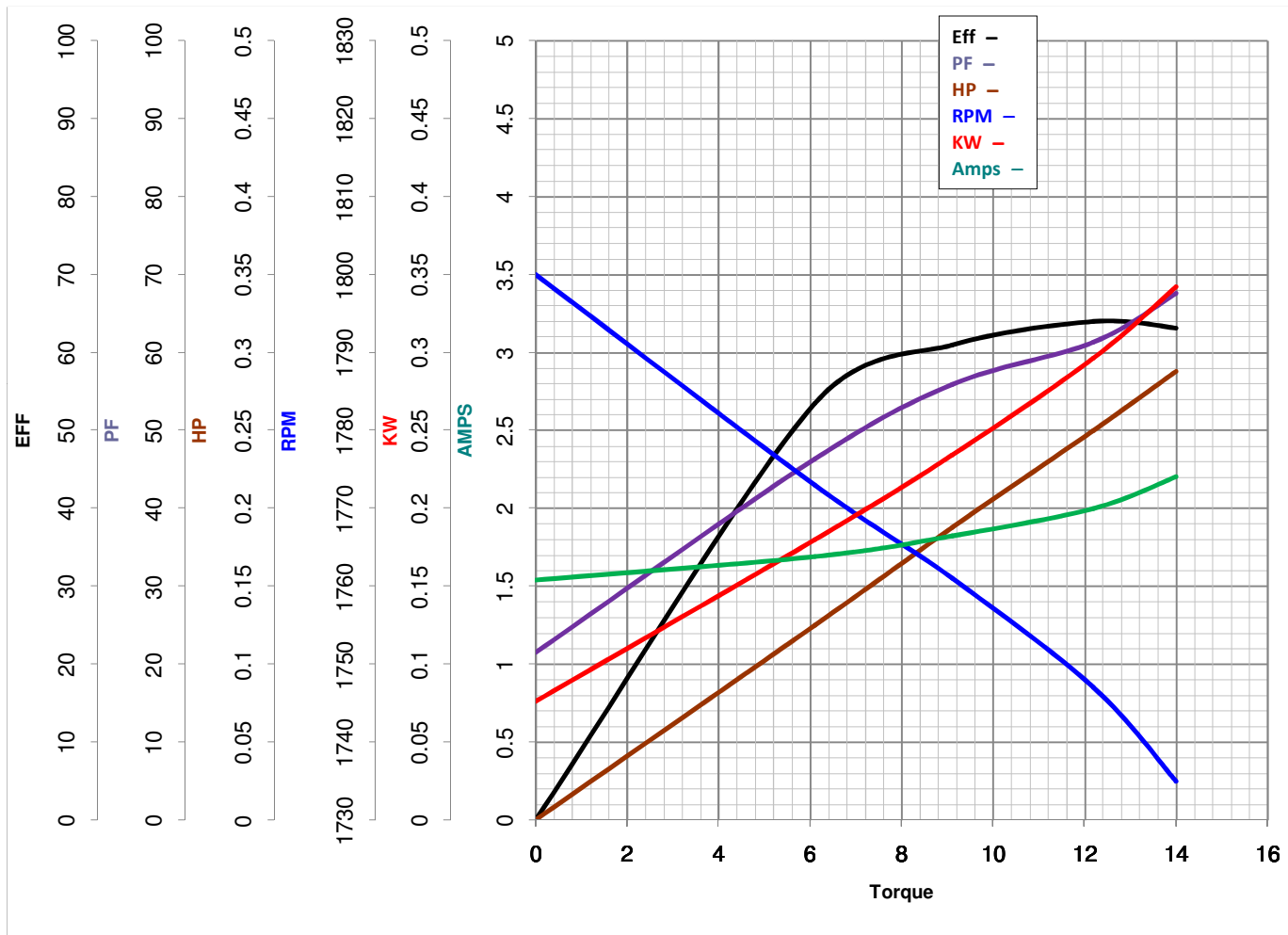


Model No LM24606

Catalog No LM24606D

**LEESON ELECTRIC CORPORATION**  
 TYPICAL PERFORMANCE CURVE for AC MOTOR

Curve at 230 Volts          HP 0.26          PHASE 1  
                 60 HZ  
                 0.25 HP          VOLTS 115/208-230  
   HZ 60          RPM 1725



		<b>Torque in Oz.Ft</b>	
<b>FL TORQUE</b>	<u>12.2</u>	<b>Oz.Ft</b>	<b>FL AMPS</b> <u>4/2.1-2</u>
<b>BD TORQUE</b>	<u>30.9</u>	<b>Oz.Ft</b>	<b>PU TORQUE</b> <u>30.6</u>
<b>LR TORQUE</b>	<u>59.7</u>	<b>Oz.Ft</b>	<b>LR AMPS</b> <u>12.1</u>
<b>WINDING</b>	<u>CE48481-3</u>		<b>Date</b> <u>4/23/2018</u>