

PRODUCT INFORMATION PACKET



Model No: SPA4/6/1S0.25/0.25TZNY1S6001TP2-1
Catalog No: LM24492
1/4,17/11,TEAO,48,1/60/115
Agricultural



Regal and Leeson are trademarks of Regal Beloit Corporation or one of its affiliated companies.
©2018 Regal Beloit Corporation, All Rights Reserved. MC017097E





Nameplate Specifications

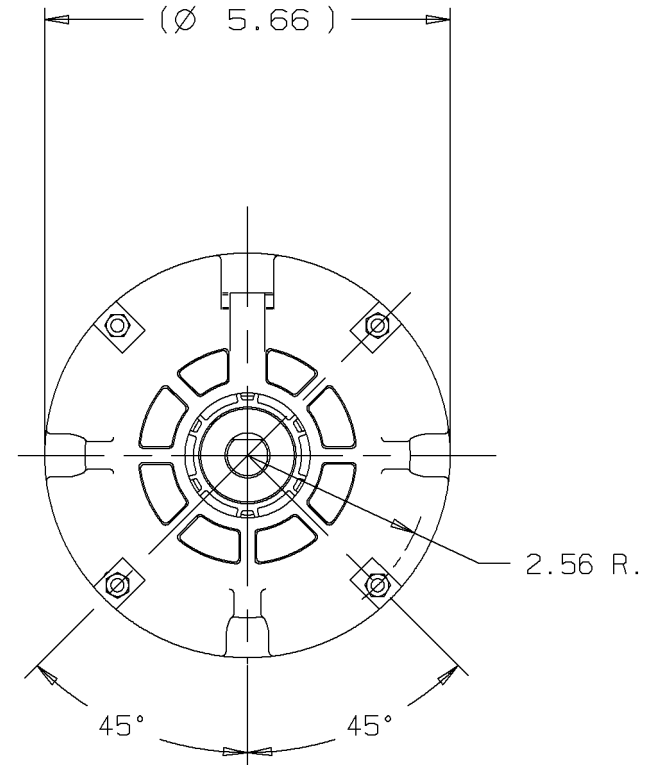
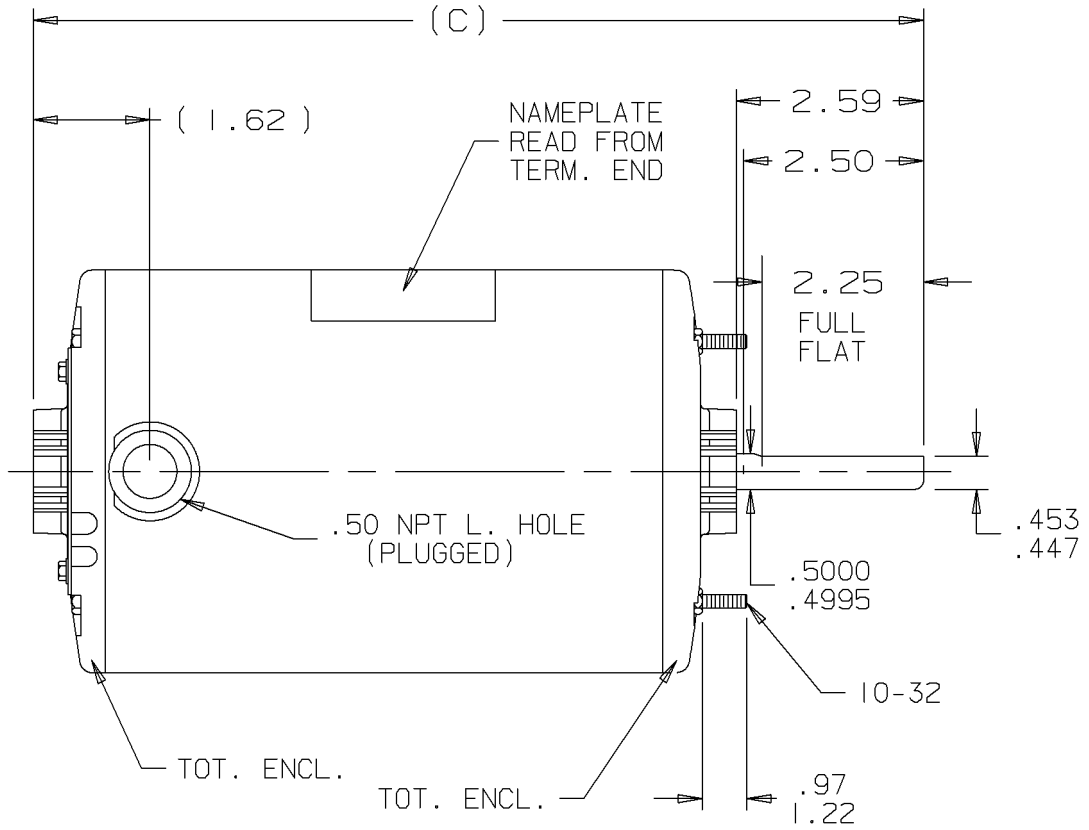
Output HP	0.25,0.08 Hp	Output KW	0.19 kW
Frequency	60 Hz	Voltage	115 V
Current	3.7,2.25 A	Speed	1725,1140 rpm
Service Factor	1	Phase	1
Efficiency	62 %	Duty	Continuous
Insulation Class	B	Design Code	2VT
KVA Code	R	Frame	48Z
Enclosure	Totally Enclosed Non Ventilated	Overload Protector	Automatic Lock Rotor Only
Ambient Temperature	40 °C	Drive End Bearing Size	6203
Opp Drive End Bearing Size	6203	UL	Recognized
CSA	Y	CE	Y
IP Code	43		

Technical Specifications

Electrical Type	Split Phase	Starting Method	Across The Line
Poles	4//6	Rotation	Selective Counterclockwise
Mounting	Round	Motor Orientation	HORIZONTAL
Drive End Bearing	BALL	Opp Drive End Bearing	BALL
Frame Material	Rolled Steel	Shaft Type	Single Special Extension
Overall Length	11.09 in	Frame Length	6.50 in
Shaft Diameter	0.500 in	Shaft Extension	1.5 in
Assembly/Box Mounting	F1 ONLY		
Outline Drawing	A-SS75127LN-650	Connection Diagram	A-EE9005B-LN

This is an uncontrolled document once printed or downloaded and is subject to change without notice. Date Created: 10/15/2018


A-SS75127LN



TERM END

DASH	FR.	C		
650	48	11.09		
675	48	11.34		

I	11-22-1999	NEW DRAWING	TJB	
REV	DATE	CHANGE	NAME	



UNLESS OTHERWISE SPECIFIED DIMENSIONS ARE IN INCHES
TOL. ON XX± .03 XXX± .005 XXXX± .0005 ANGLES± 7'30"

MAX. SURFACE ROUGHNESS UNLESS OTHERWISE NOTED

FINISH

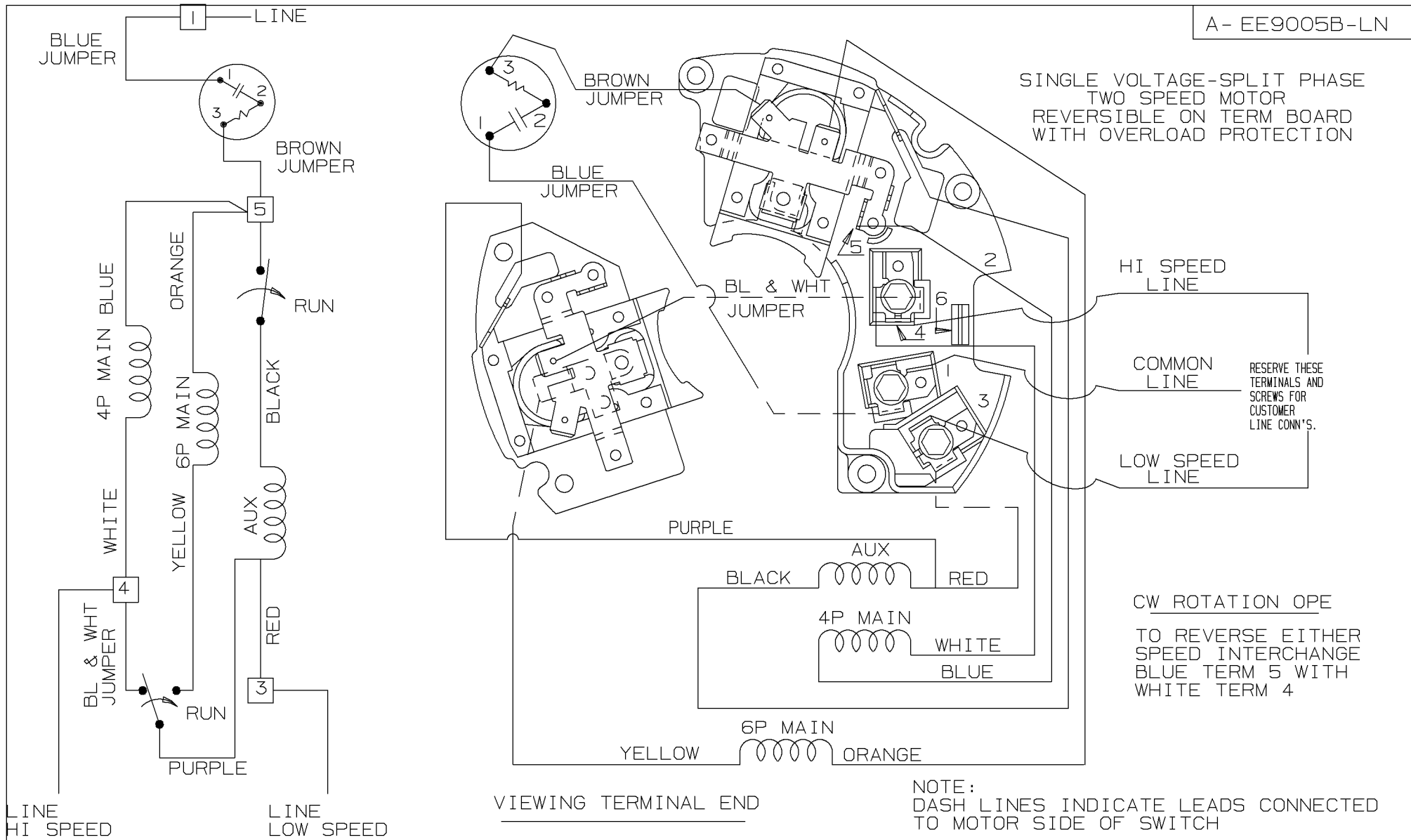
MATERIAL

DRAWN BY	TJB	11-22-1999
CHKD BY	ML	11-22-1999
APPD BY	GK	11-22-1999

PART NAME OUTLINE

DRWG NO
A-SS75127LN

PURCHASED	CADD FILE NO.	SS75127LN
-----------	---------------	-----------



					UNLESS OTHERWISE SPECIFIED DIMENSIONS ARE IN INCHES TOL. ON XX± .02 XXX± .005 XXXX± .0005 ANGLES± 7°30"			
					MAX. SURFACE ROUGHNESS UNLESS OTHERWISE NOTED		DRAWN BY TJB	11-19-1999
					FINISH	CHKD BY ML	11-22-1999	
					MATERIAL	APPD BY GK	11-22-1999	
REV	DATE	CHANGE	NAME	PART NAME CONNECTION DIAGRAM 48 FR. TWO SPEED				DRWG NO A - EE9005B-LN

				PURCHASED	CADD FILE NO.	EE9005B-LN
--	--	--	--	-----------	---------------	------------