

# PRODUCT INFORMATION PACKET



Model No: SPA4S0.25TZRY1S6001TP2-1  
Catalog No: LM24487  
1/4,1725,TEAO,48Y,1/60/115  
Agricultural



Regal and Leeson are trademarks of Regal Beloit Corporation or one of its affiliated companies.  
©2018 Regal Beloit Corporation, All Rights Reserved. MC017097E





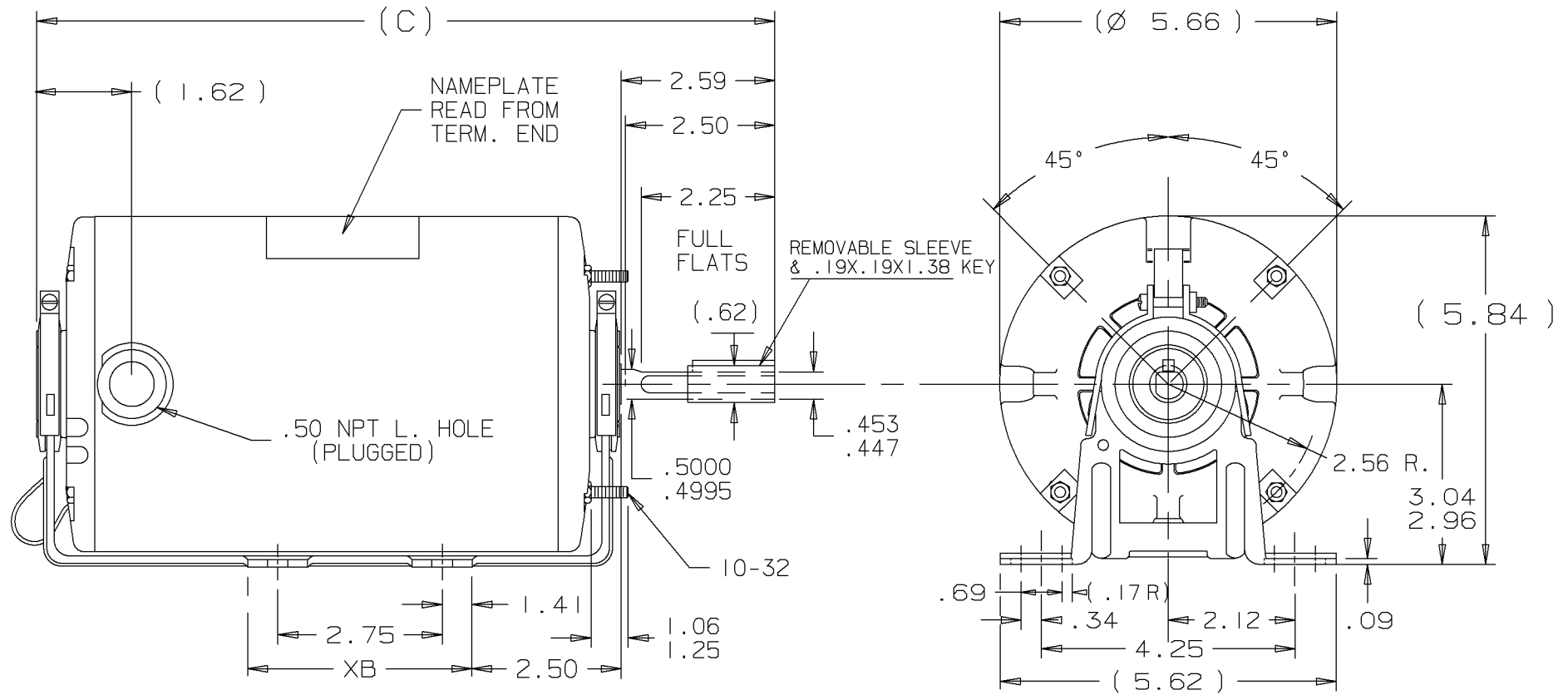
### Nameplate Specifications

|                            |  |                        |                                  |
|----------------------------|--|------------------------|----------------------------------|
| Output HP                  | <b>0.25 Hp</b>                         | Output KW              | <b>0.19 kW</b>                   |
| Frequency                  | <b>60 Hz</b>                           | Voltage                | <b>115 V</b>                     |
| Current                    | <b>3.5 A</b>                           | Speed                  | <b>1725 rpm</b>                  |
| Service Factor             | <b>1</b>                               | Phase                  | <b>1</b>                         |
| Efficiency                 | <b>66 %</b>                            | Duty                   | <b>Continuous</b>                |
| Insulation Class           | <b>B</b>                               | Design Code            | <b>NO DESIGN CODE</b>            |
| KVA Code                   | <b>N</b>                               | Frame                  | <b>48Z</b>                       |
| Enclosure                  | <b>Totally Enclosed Non Ventilated</b> | Overload Protector     | <b>Automatic Lock Rotor Only</b> |
| Ambient Temperature        | <b>40 °C</b>                           | Drive End Bearing Size | <b>6203</b>                      |
| Opp Drive End Bearing Size | <b>6203</b>                            | UL                     | <b>Recognized</b>                |
| CSA                        | <b>Y</b>                               | CE                     | <b>N</b>                         |
| IP Code                    | <b>43</b>                              |                        |                                  |

### Technical Specifications

|                       |                         |                       |                                   |
|-----------------------|-------------------------|-----------------------|-----------------------------------|
| Electrical Type       | <b>Split Phase</b>      | Starting Method       | <b>Across The Line</b>            |
| Poles                 | <b>4</b>                | Rotation              | <b>Selective Counterclockwise</b> |
| Mounting              | <b>Rigid base</b>       | Motor Orientation     | <b>HORIZONTAL</b>                 |
| Drive End Bearing     | <b>BALL</b>             | Opp Drive End Bearing | <b>BALL</b>                       |
| Frame Material        | <b>Rolled Steel</b>     | Shaft Type            | <b>Single Special Extension</b>   |
| Overall Length        | <b>17.32 in</b>         | Frame Length          | <b>6.75 in</b>                    |
| Shaft Diameter        | <b>0.500 in</b>         | Shaft Extension       | <b>1.5 in</b>                     |
| Assembly/Box Mounting | <b>F1 ONLY</b>          |                       |                                   |
| Outline Drawing       | <b>A-SS400070LN-675</b> | Connection Diagram    | <b>A-EE7195-LN</b>                |

This is an uncontrolled document once printed or downloaded and is subject to change without notice. Date Created: 10/15/2018



TERM END

| DASH | FR.     | C     | AG    | BV   | MOUNTING |
|------|---------|-------|-------|------|----------|
| 575  | 182TC   | 16.32 | 14.20 | 5.88 | F1 OR F2 |
| 675  | 182/4TC | 17.32 | 15.20 | 6.38 | F1 OR F2 |
| 775  | 182/4TC | 18.32 | 16.20 | 6.88 | F1 ONLY  |
|      |         |       |       |      |          |
|      |         |       |       |      |          |

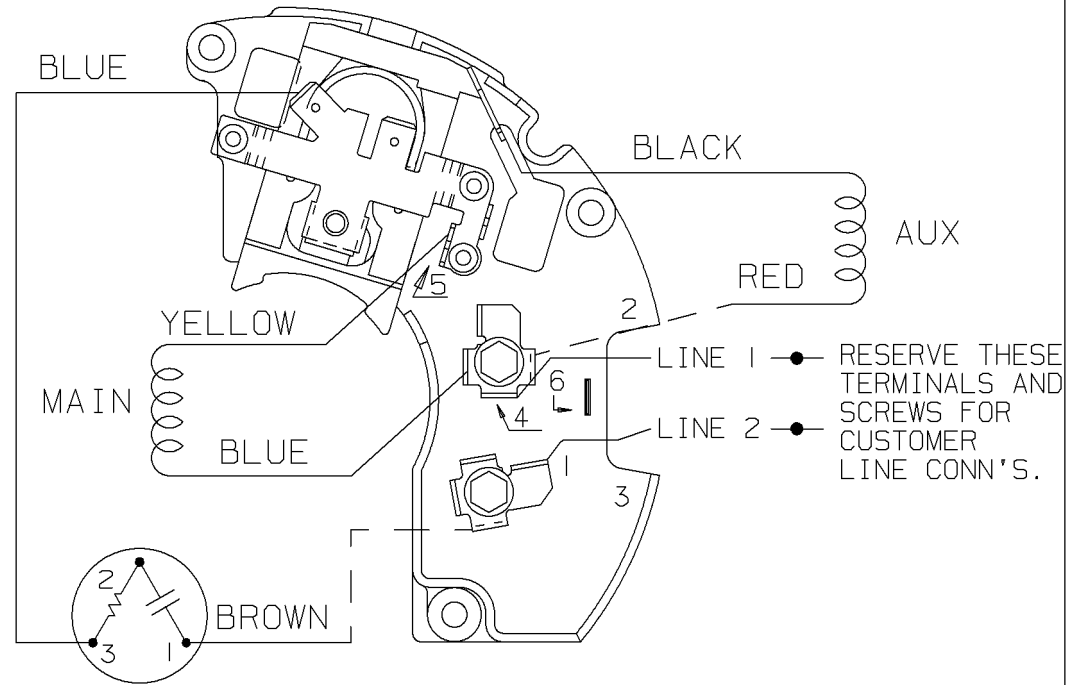
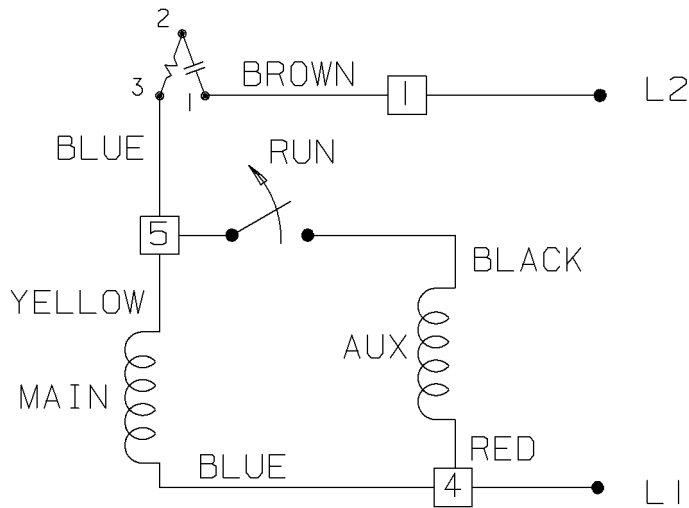
|     |            |                  |  |  |                   |   |   |              |            |
|-----|------------|------------------|--|--|-------------------|---|---|--------------|------------|
|     |            |                  |  |  |                   | ✓ UNLESS OTHERWISE SPECIFIED DIMENSIONS ARE IN INCHES<br>TOL. ON XX±.02 XXX±.005 XXXX±.0005 ANGLES± 7'30" |   |              |            |
| 2   | 11-29-1999 | CLARIFIED PART # |  |  |                   | TJB   | MAX. SURFACE ROUGHNESS UNLESS OTHERWISE NOTED | DRAWN BY TJB | 11-19-1999 |
| 1   | 11-22-1999 | NEW DRAWING      |  | TJB  | FINISH            | CHKD BY ML  | 11-22-1999                                    |              |            |
|     |            |                  |  |  | MATERIAL          | APPD BY GK  | 11-22-1999                                    |              |            |
| REV | DATE       | CHANGE           |  | NAME   | PART NAME OUTLINE |   | DRWG NO<br>A-SS400070LN                       |              |            |

PURCHASED

CADD FILE NO.

SS400070LN

SINGLE VOLTAGE - SPLIT PHASE  
REVERSIBLE ON TERM BOARD  
WITH OVERLOAD PROTECTION



VIEWING TERMINAL END

C.C.W. ROTATION SHOWN.

FOR C.W. ROTATION INTERCHANGE  
YELLOW & BLUE LEADS ON TERM 5 & 4.

DASH LINES INDICATE LEADS CONNECTED  
TO MOTOR SIDE OF SWITCH.

|     |            |             |      |  |   |               |              |                        |
|-----|------------|-------------|------|--|---|---------------|--------------|------------------------|
|     |            |             |      |  | ✓ UNLESS OTHERWISE SPECIFIED DIMENSIONS ARE IN INCHES<br>TOL. ON XX±    XXX±.005    XXXX±.0005    ANGLES± |               |              |                        |
|     |            |             |      |  | MAX. SURFACE ROUGHNESS<br>UNLESS OTHERWISE NOTED  |               | DRAWN BY TJB | 11-18-1999             |
|     |            |             |      |  | FINISH  |               | CHKD BY ML   | 11-19-1999             |
| 1   | 11-19-1999 | NEW DRAWING | TJB  |  |   | APPD BY GK    | 11-19-1999   |                        |
| REV | DATE       | CHANGE      | NAME | PART NAME CONNECTION DIAGRAM<br>48 FR. SINGLE VOLTAGE REVERSIBLE |   |               |              | DRWG NO<br>A-EE7195-LN |
|     |            |             |      |  | PURCHASED   | CADD FILE NO. | EE7195-LN    |                        |

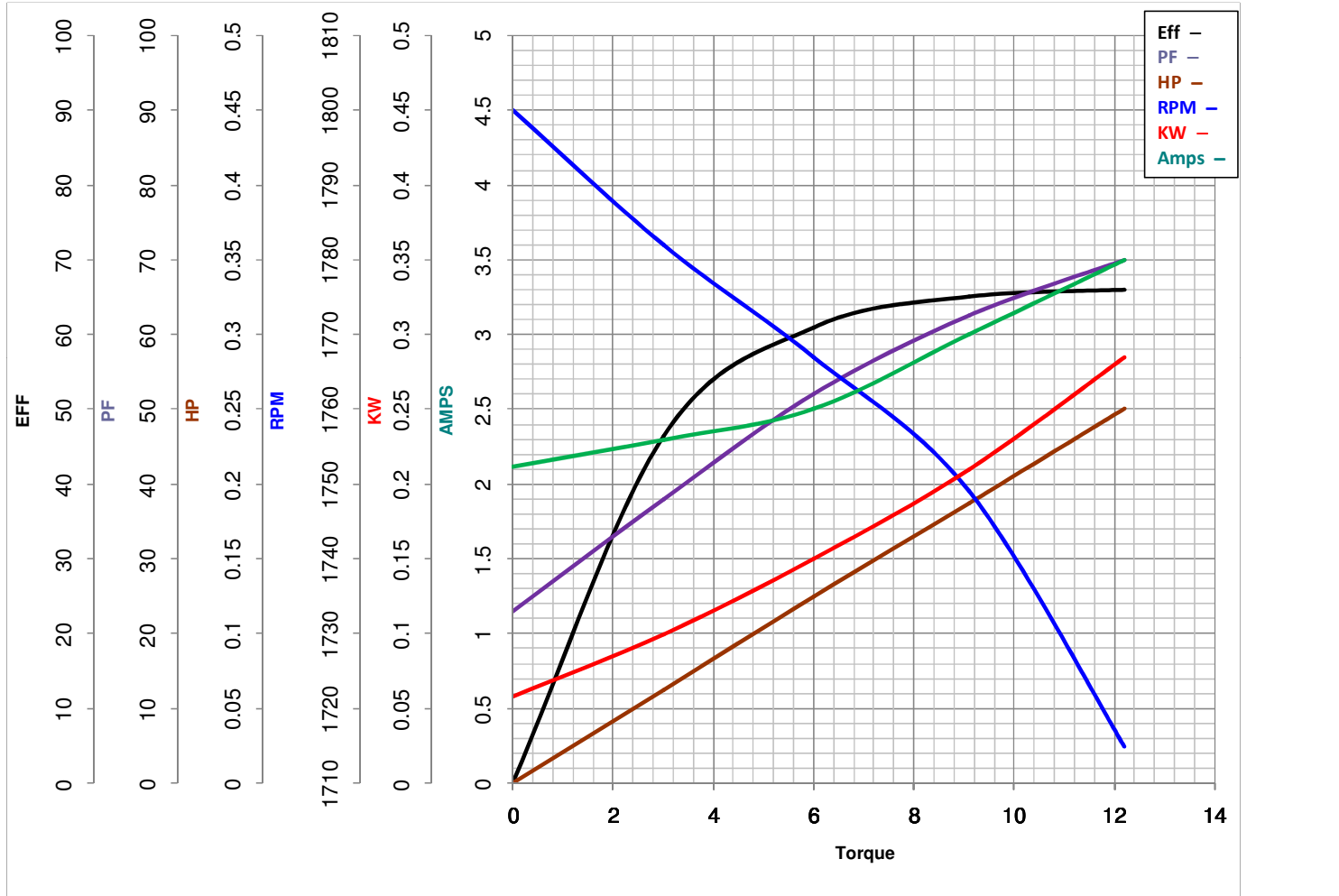


Model No LM24487

Catalog No LM24487E

**LEESON ELECTRIC CORPORATION**  
TYPICAL PERFORMANCE CURVE for AC MOTOR

Curve at 115 Volts      HP 0.26      PHASE 1  
60 HZ  
0.25 HP      VOLTS 115  
   HZ 60      RPM 1725



Torque in Oz.Ft

FL TORQUE 12.2 Oz.Ft  
 BD TORQUE 22.8 Oz.Ft  
 LR TORQUE 17.5 Oz.Ft

FL AMPS 3.5  
 PU TORQUE 15.8 Oz.Ft  
 LR AMPS 24.4

WINDING SE484152-1

Date 3/27/2018