

PRODUCT INFORMATION PACKET



Model No: SPA4S0.33TZRY1S6001TP2-1
Catalog No: LM24486
1/3,1725,TEAO,48Y,1/60/115
Agricultural



Regal and Leeson are trademarks of Regal Beloit Corporation or one of its affiliated companies.
©2018 Regal Beloit Corporation, All Rights Reserved. MC017097E





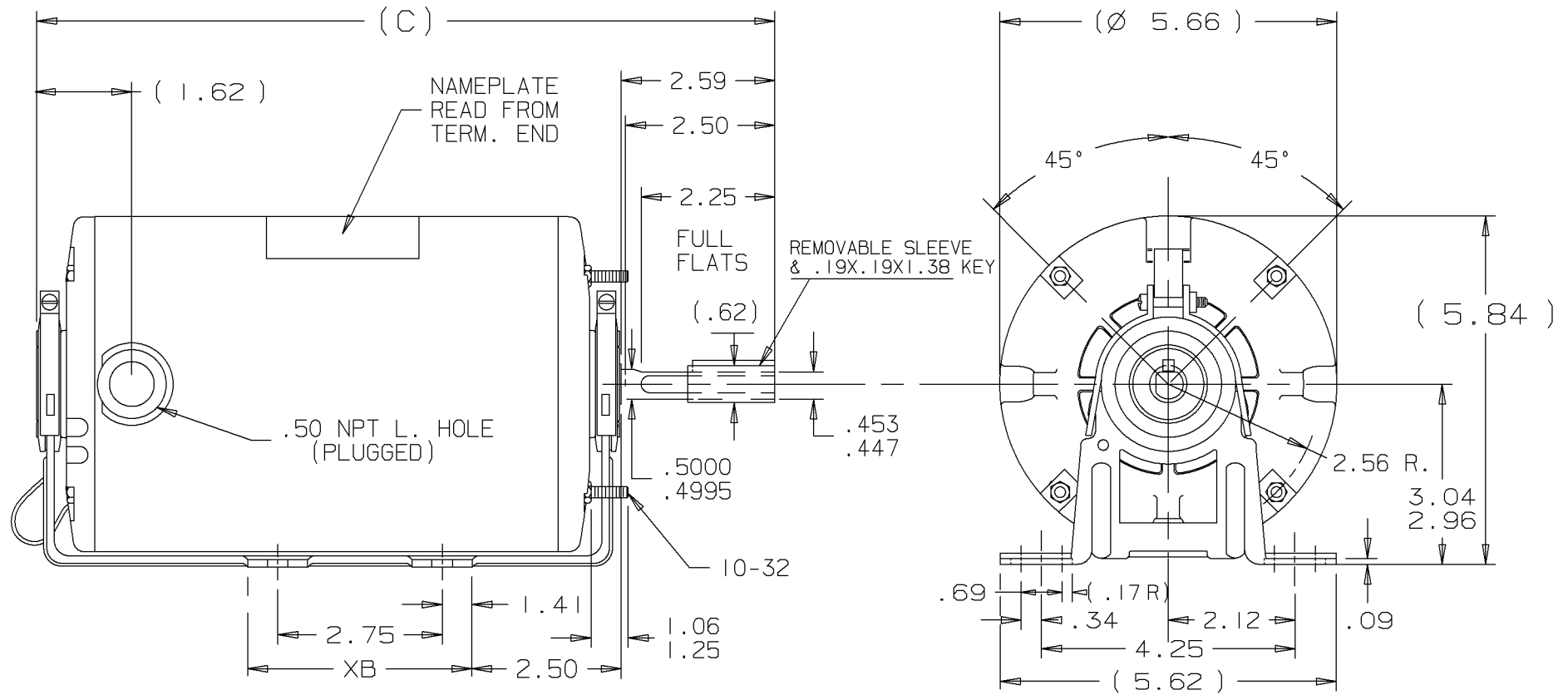
Nameplate Specifications

Output HP	0.33 Hp	Output KW	0.25 kW
Frequency	60 Hz	Voltage	115 V
Current	4.2 A	Speed	1725 rpm
Service Factor	1	Phase	1
Efficiency	68 %	Duty	Continuous
Insulation Class	B	Design Code	NO DESIGN CODE
KVA Code	M	Frame	48Z
Enclosure	Totally Enclosed Non Ventilated	Overload Protector	Automatic Lock Rotor Only
Ambient Temperature	40 °C	Drive End Bearing Size	6203
Opp Drive End Bearing Size	6203	UL	Recognized
CSA	Y	CE	N
IP Code	43		

Technical Specifications

Electrical Type	Split Phase	Starting Method	Across The Line
Poles	4	Rotation	Selective Counterclockwise
Mounting	Rigid base	Motor Orientation	HORIZONTAL
Drive End Bearing	BALL	Opp Drive End Bearing	BALL
Frame Material	Rolled Steel	Shaft Type	Single Special Extension
Overall Length	17.32 in	Frame Length	6.75 in
Shaft Diameter	0.500 in	Shaft Extension	1.5 in
Assembly/Box Mounting	F1 ONLY		
Outline Drawing	A-SS400070LN-675	Connection Diagram	A-EE7195-LN

This is an uncontrolled document once printed or downloaded and is subject to change without notice. Date Created: 10/15/2018



TERM END

DASH	FR.	C	AG	BV	MOUNTING
575	182TC	16.32	14.20	5.88	F1 OR F2
675	182/4TC	17.32	15.20	6.38	F1 OR F2
775	182/4TC	18.32	16.20	6.88	F1 ONLY

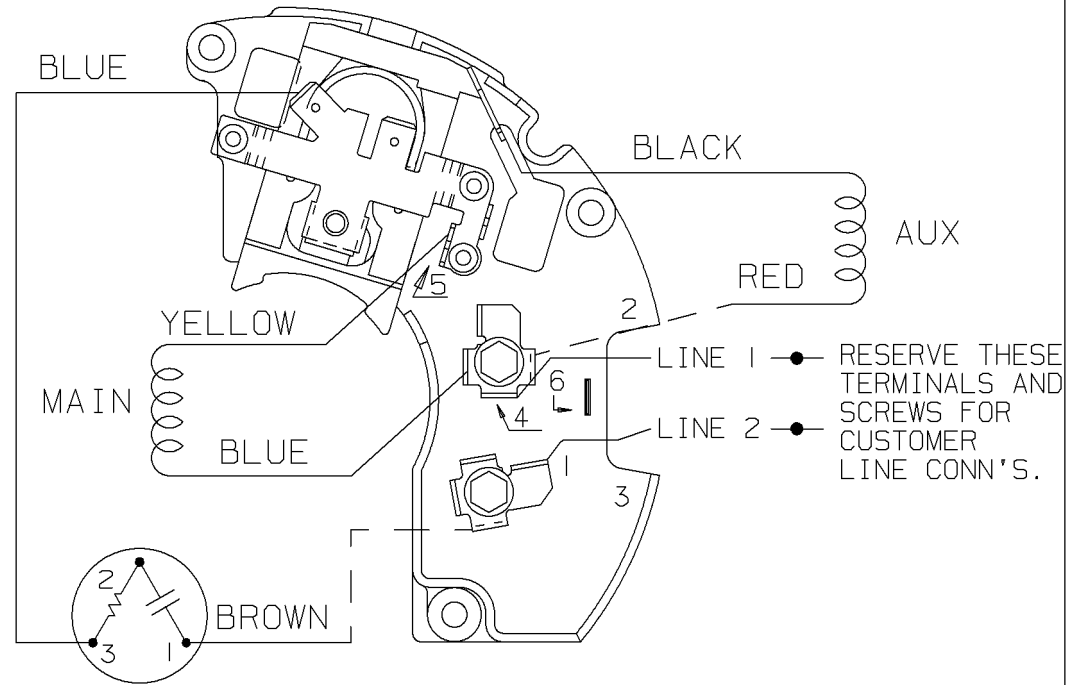
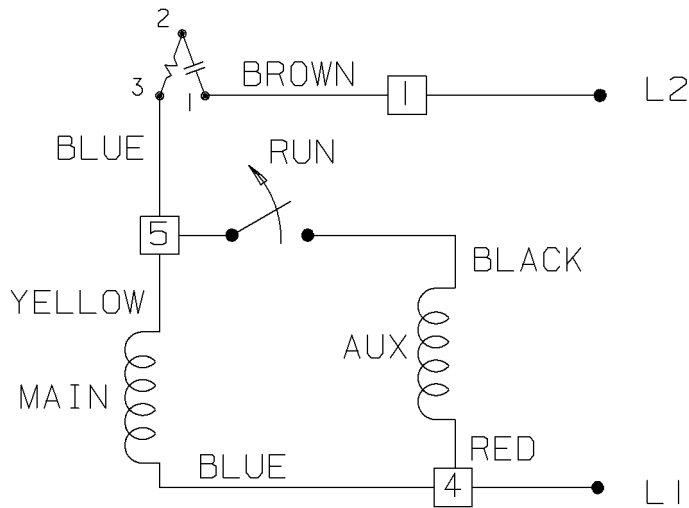
						✓ UNLESS OTHERWISE SPECIFIED DIMENSIONS ARE IN INCHES TOL. ON XX±.02 XXX±.005 XXXX±.0005 ANGLES± 7'30"			
2	11-29-1999	CLARIFIED PART #				TJB	MAX. SURFACE ROUGHNESS UNLESS OTHERWISE NOTED	DRAWN BY TJB	11-19-1999
1	11-22-1999	NEW DRAWING		TJB	FINISH	CHKD BY ML	11-22-1999		
					MATERIAL	APPD BY GK	11-22-1999		
REV	DATE	CHANGE		NAME	PART NAME OUTLINE		DRWG NO A-SS400070LN		

PURCHASED

CADD FILE NO.

SS400070LN

SINGLE VOLTAGE - SPLIT PHASE
 REVERSIBLE ON TERM BOARD
 WITH OVERLOAD PROTECTION



VIEWING TERMINAL END

C.C.W. ROTATION SHOWN.

FOR C.W. ROTATION INTERCHANGE
 YELLOW & BLUE LEADS ON TERM 5 & 4.

DASH LINES INDICATE LEADS CONNECTED
 TO MOTOR SIDE OF SWITCH.

					✓ UNLESS OTHERWISE SPECIFIED DIMENSIONS ARE IN INCHES TOL. ON XX± XXX±.005 XXXX±.0005 ANGLES±		
						MAX. SURFACE ROUGHNESS UNLESS OTHERWISE NOTED	DRAWN BY TJB 11-18-1999 CHKD BY ML 11-19-1999 APPD BY GK 11-19-1999
1	11-19-1999	NEW DRAWING	TJB				
REV	DATE	CHANGE	NAME	PART NAME CONNECTION DIAGRAM 48 FR. SINGLE VOLTAGE REVERSIBLE		DRWG NO A-EE7195-LN	
				PURCHASED	CADD FILE NO.	EE7195-LN	

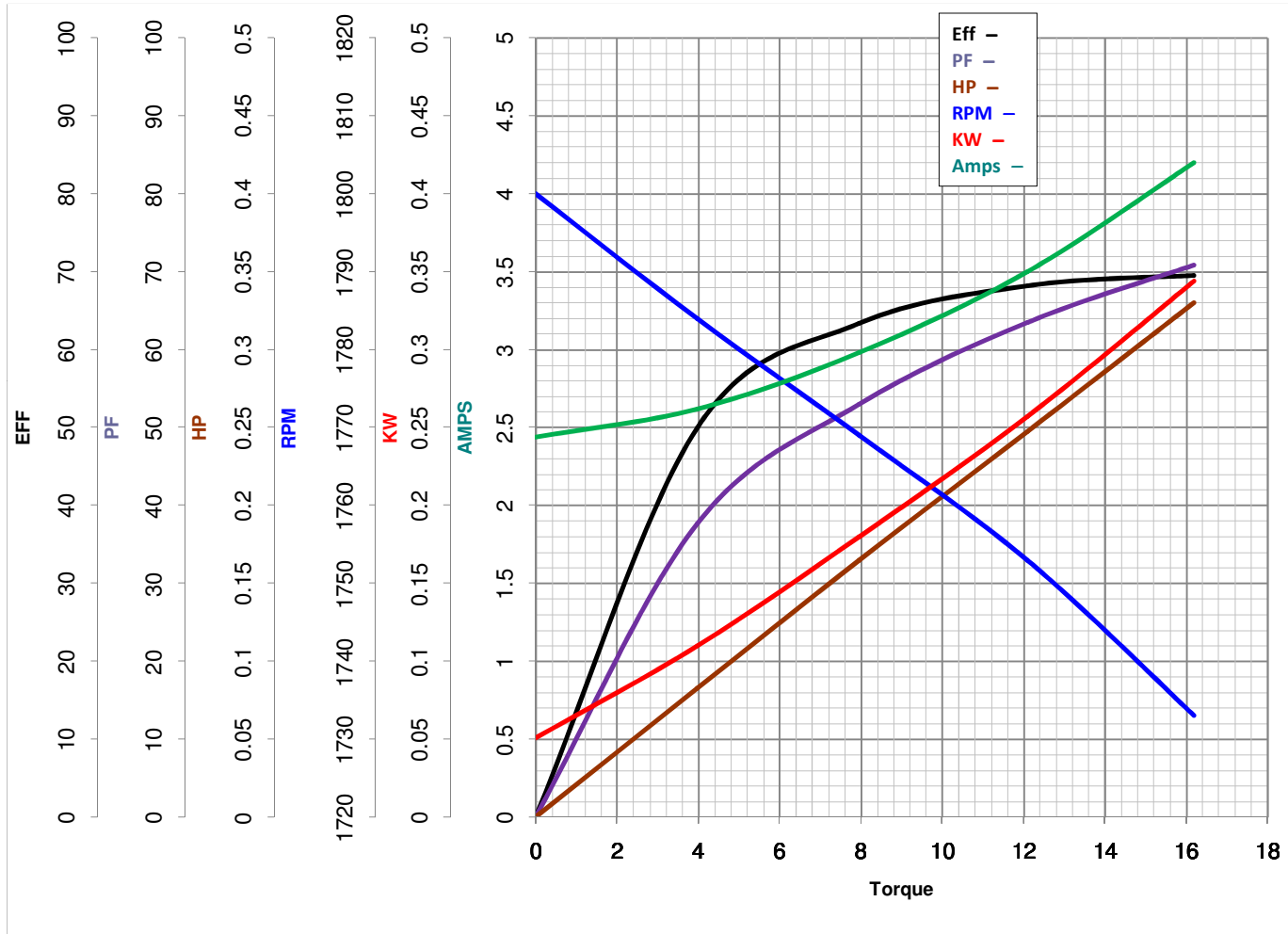


LEESON ELECTRIC CORPORATION
TYPICAL PERFORMANCE CURVE for AC MOTOR

Model No LM24486

Catalog No LM24486E

Curve at 115 Volts HP 0.34 PHASE 1
60 HZ
0.33 HP VOLTS 115
 HZ 60 RPM 1725



Torque in Oz.Ft

FL TORQUE 16.2 Oz.Ft
 BD TORQUE 32.9 Oz.Ft
 LR TORQUE 22.9 Oz.Ft

FL AMPS 4.2
 PU TORQUE 20.4 Oz.Ft
 LR AMPS 28.8

WINDING SE484133-1

Date 4/26/2018