

# PRODUCT INFORMATION PACKET



Model No: SPA4S0.33TZRY1A6027AP11-1  
Catalog No: LM24450  
1/3,1625,TENV,48Y,1/60/115/230  
Agricultural



Regal and Leeson are trademarks of Regal Beloit Corporation or one of its affiliated companies.  
©2018 Regal Beloit Corporation, All Rights Reserved. MC017097E





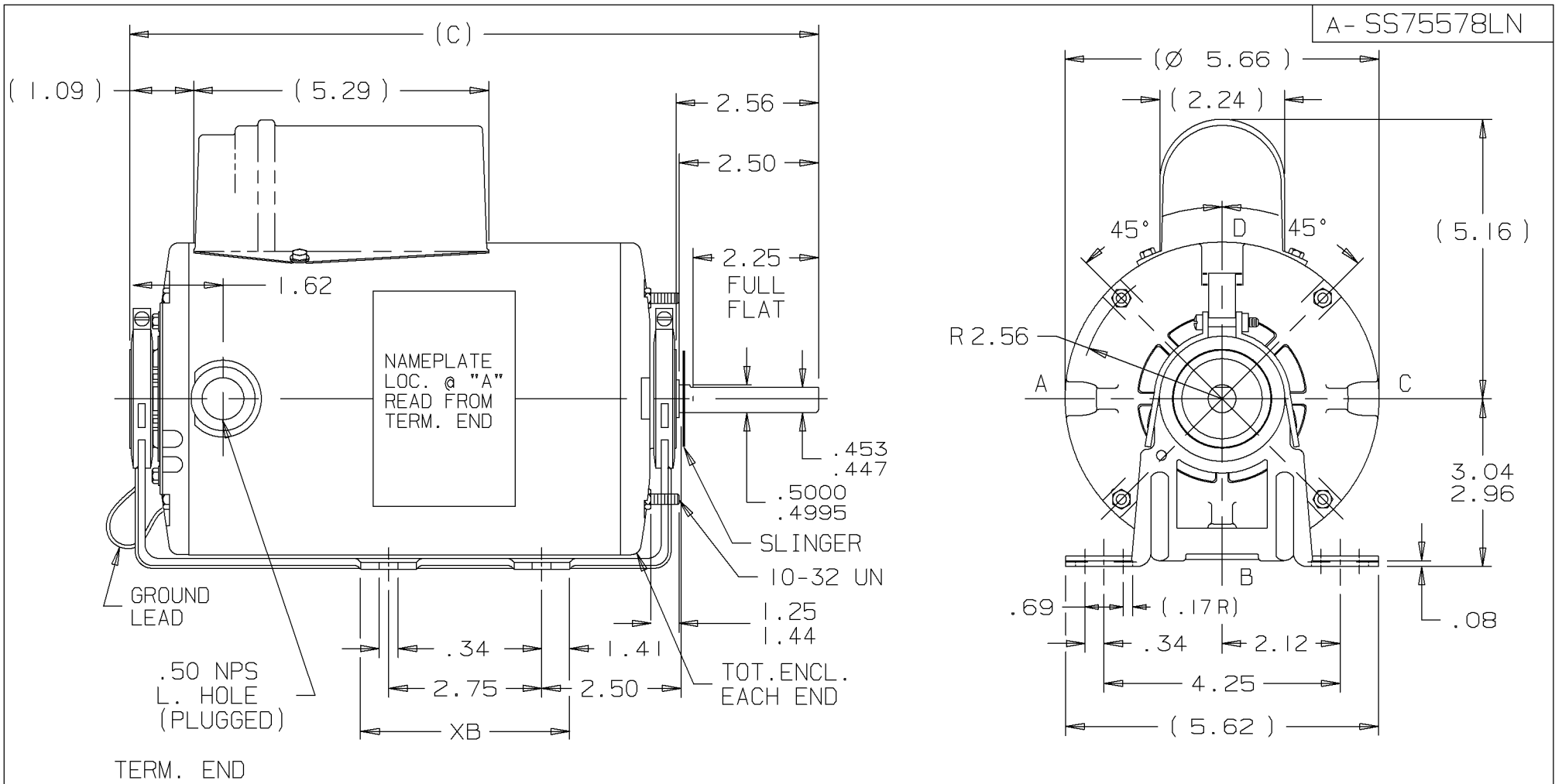
### Nameplate Specifications

Output HP	0.33 Hp	Output KW	0.25 kW
Frequency	60 Hz	Voltage	115/230 V
Current	3.5/1.8 A	Speed	1625 rpm
Service Factor	1	Phase	1
Efficiency	66 %	Duty	Continuous
Insulation Class	B	Design Code	NO DESIGN CODE
KVA Code	D	Frame	48Z
Enclosure	Totally Enclosed Air Over	Overload Protector	No
Ambient Temperature	40 °C	Drive End Bearing Size	6203
Opp Drive End Bearing Size	6203	UL	Recognized
CSA	Y	CE	N
IP Code	43		

### Technical Specifications

Electrical Type	Permanent Split Capacitor	Starting Method	Across The Line
Poles	4	Rotation	Selective Counterclockwise
Mounting	Rigid base	Motor Orientation	HORIZONTAL
Drive End Bearing	BALL	Opp Drive End Bearing	BALL
Frame Material	Rolled Steel	Shaft Type	Single Special Extension
Overall Length	11.81 in	Frame Length	7.25 in
Shaft Diameter	0.500 in	Shaft Extension	2.5 in
Assembly/Box Mounting	F1 ONLY		
Outline Drawing	A-SS75578LN-725	Connection Diagram	A-EE9057R-LN

This is an uncontrolled document once printed or downloaded and is subject to change without notice. Date Created: 10/15/2018

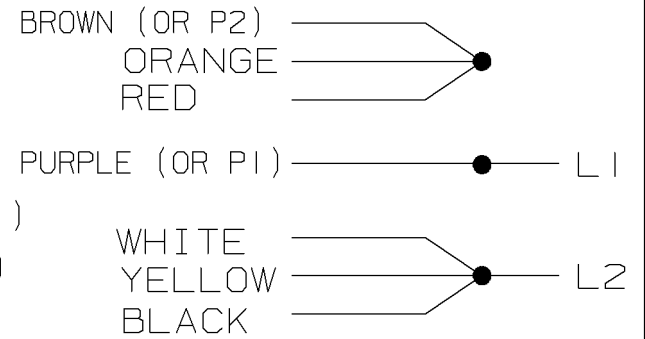


DASH	FR	XB	C	DASH	FR	XB	C
650	48	6.69	11.06	725	48	7.44	11.81
675	48	6.94	11.31				
700	48	7.19	11.56				

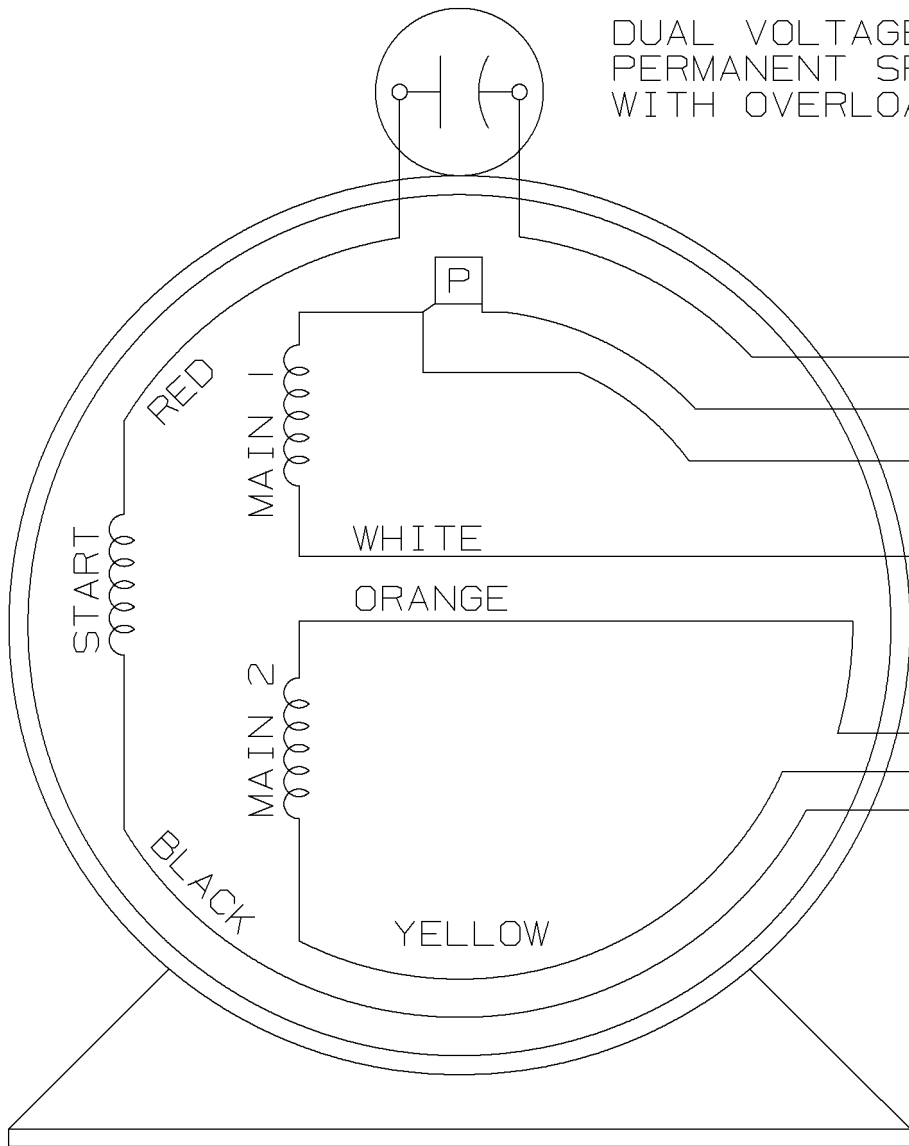
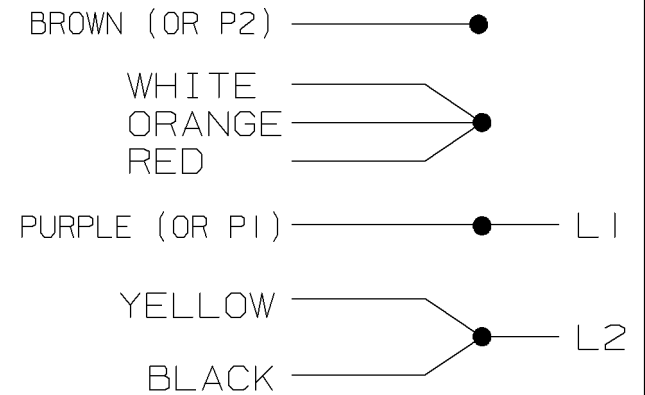
				<b>Lincoln MOTORS</b>				<input checked="" type="checkbox"/> UNLESS OTHERWISE SPECIFIED DIMENSIONS ARE IN INCHES TOL. ON XX±.02 XXX±.005 XXXX±.0005 ANGLES± 7°30"							
				MAX. SURFACE ROUGHNESS UNLESS OTHERWISE NOTED				DRAWN BY TJB		11-23-1999					
				FINISH				CHKD BY ML		11-24-1999					
				MATERIAL				APPD BY GK		11-24-1999					
REV				DATE				CHANGE				NAME			
I				11-24-1999				NEW DRAWING				TJB			
PART NAME								OUTLINE				DRWG NO			
												A - SS75578LN			
				PURCHASED				CADD FILE NO.				SS75578LN			

DUAL VOLTAGE MOTOR  
PERMANENT SPLIT CAPACITOR  
WITH OVERLOAD PROTECTION

LOW VOLTAGE  
CCW ROTATION



HIGH VOLTAGE  
CCW ROTATION



VIEW OF TERMINAL END

TO REVERSE ROTATION, EITHER  
VOLTAGE, INTERCHANGE RED WITH BLACK

					UNLESS OTHERWISE SPECIFIED DIMENSIONS ARE IN INCHES TOL. ON XX± .02    XXX± .005    XXXX± .0005    ANGLES± 7'30"			
					MAX. SURFACE ROUGHNESS UNLESS OTHERWISE NOTED			DRAWN BY TJB 11-19-1999
				FINISH			CHKD BY ML 11-22-1999	
				MATERIAL			APPD BY GK 11-22-1999	
REV	DATE	CHANGE	NAME	PART NAME CONNECTION DIAGRAM				DRWG NO A - EE9057R-LN
				PURCHASED		CADD FILE NO. EE9057R-LN		

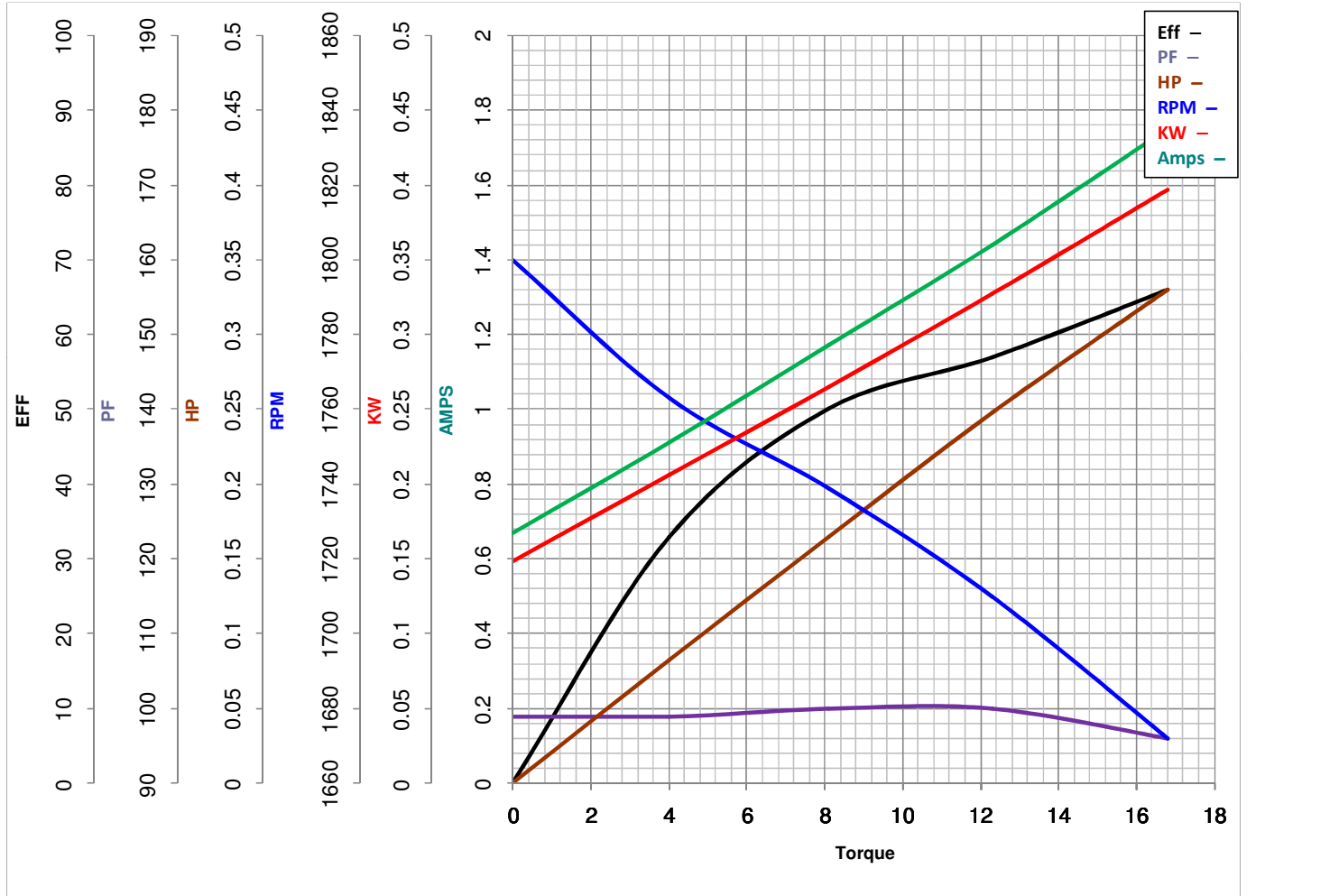


**LEESON ELECTRIC CORPORATION**  
TYPICAL PERFORMANCE CURVE for AC MOTOR

Model No LM24450

Catalog No LM24450C

Curve at 230 Volts      HP 0.33      PHASE 1  
60 HZ  
0.33 HP      VOLTS 115/230  
                                 HZ 60      RPM 1625



<b>FL TORQUE</b>	<u>16.8</u> Oz.Ft	<b>FL AMPS</b>	<u>3.5/1.75</u>
<b>BD TORQUE</b>	<u>30.2</u> Oz.Ft	<b>PU TORQUE</b>	<u>9.8</u> Oz.Ft
<b>LR TORQUE</b>	<u>11.4</u> Oz.Ft	<b>LR AMPS</b>	<u>5.71</u>
<b>WINDING</b>	PE484304-3	<b>Date</b>	4/18/2018