

PRODUCT INFORMATION PACKET



Model No: SPA4S0.5TZRY1A6027AP10-1
Catalog No: LM24449
1/2, 1625, TENV, 48, 1/60/115/230
Agricultural



Regal and Leeson are trademarks of Regal Beloit Corporation or one of its affiliated companies.
©2018 Regal Beloit Corporation, All Rights Reserved. MC017097E





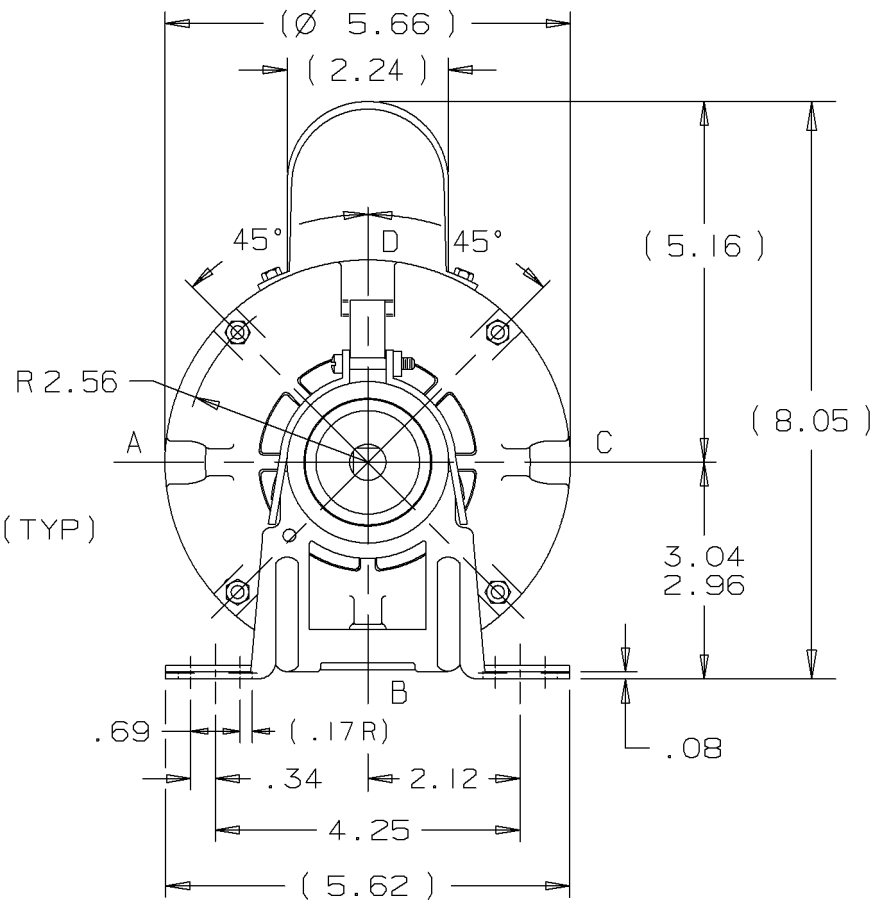
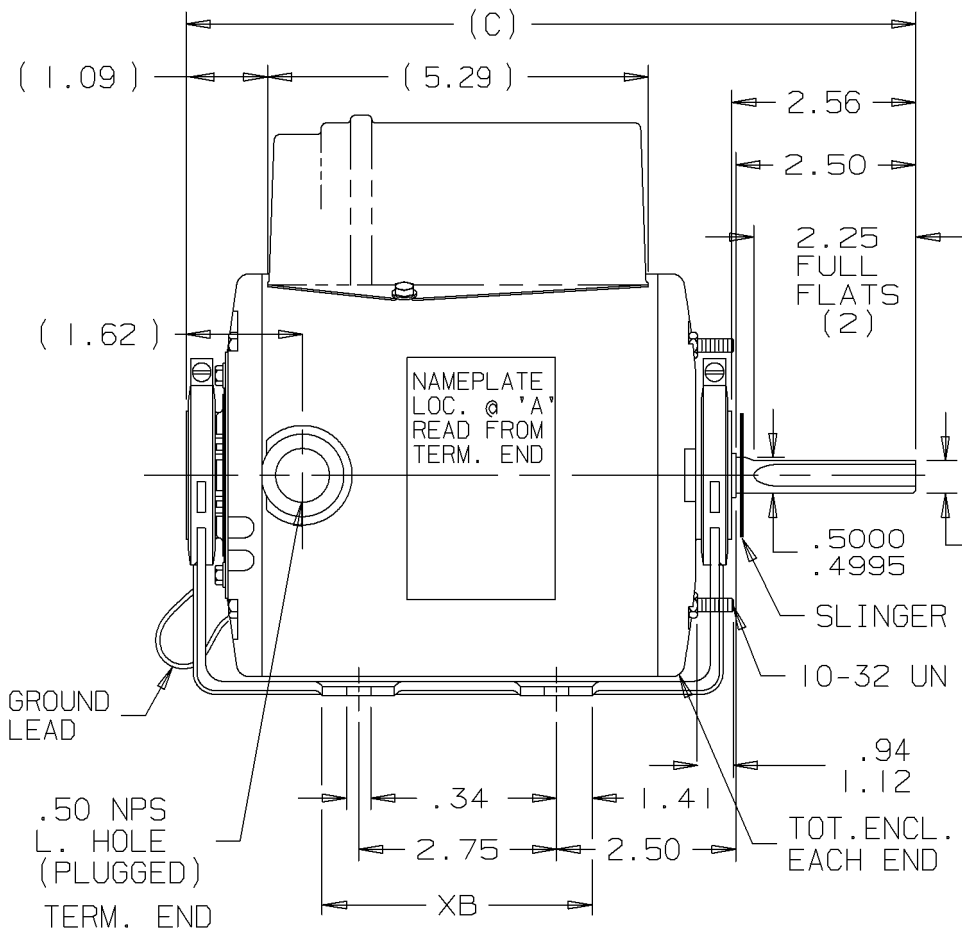
Nameplate Specifications

Output HP	0.50 Hp	Output KW	0.37 kW
Frequency	60 Hz	Voltage	115/230 V
Current	6.0/3.0 A	Speed	1625 rpm
Service Factor	1	Phase	1
Efficiency	70 %	Duty	Continuous
Insulation Class	B	Design Code	NO DESIGN CODE
KVA Code	G	Frame	48Z
Enclosure	Totally Enclosed Air Over	Overload Protector	Automatic Lock Rotor Only
Ambient Temperature	40 °C	Drive End Bearing Size	6203
Opp Drive End Bearing Size	6203	UL	Recognized
CSA	Y	CE	N
IP Code	43		

Technical Specifications

Electrical Type	Permanent Split Capacitor	Starting Method	Across The Line
Poles	4	Rotation	Selective Counterclockwise
Mounting	Resilient Base	Motor Orientation	HORIZONTAL
Drive End Bearing	BALL	Opp Drive End Bearing	BALL
Frame Material	Rolled Steel	Shaft Type	Single Special Extension
Overall Length	10.84 in	Frame Length	6.25 in
Shaft Diameter	0.500 in	Shaft Extension	2.5 in
Assembly/Box Mounting	F1 ONLY		
Outline Drawing	A-SS75967LN-625	Connection Diagram	A-EE9057T-LN

This is an uncontrolled document once printed or downloaded and is subject to change without notice. Date Created: 10/15/2018



DASH	FR	XB	C
550	48	5.69	10.09
625	48	6.44	10.84

TOTALLY ENCLOSED MOTOR
FULLY GASKETED

					✓ UNLESS OTHERWISE SPECIFIED DIMENSIONS ARE IN INCHES TOL. ON XX±.03 XXX±.005 XXXX±.0005 ANGLES± 7'30"			
					MAX. SURFACE ROUGHNESS UNLESS OTHERWISE NOTED			DRAWN BY TJB 11-22-1999 CHKD BY ML 11-22-1999 APPD BY GK 11-22-1999
I	11-22-1999	NEW DRAWING		TJB	PART NAME OUTLINE			
REV	DATE	CHANGE		NAME	DRWG NO			A- SS75967LN

PURCHASED

CADD FILE NO.

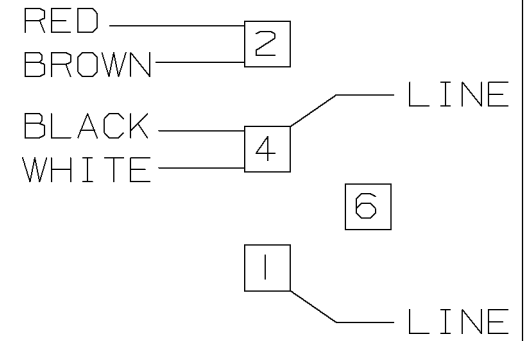
SS75967LN

DUAL VOLTS

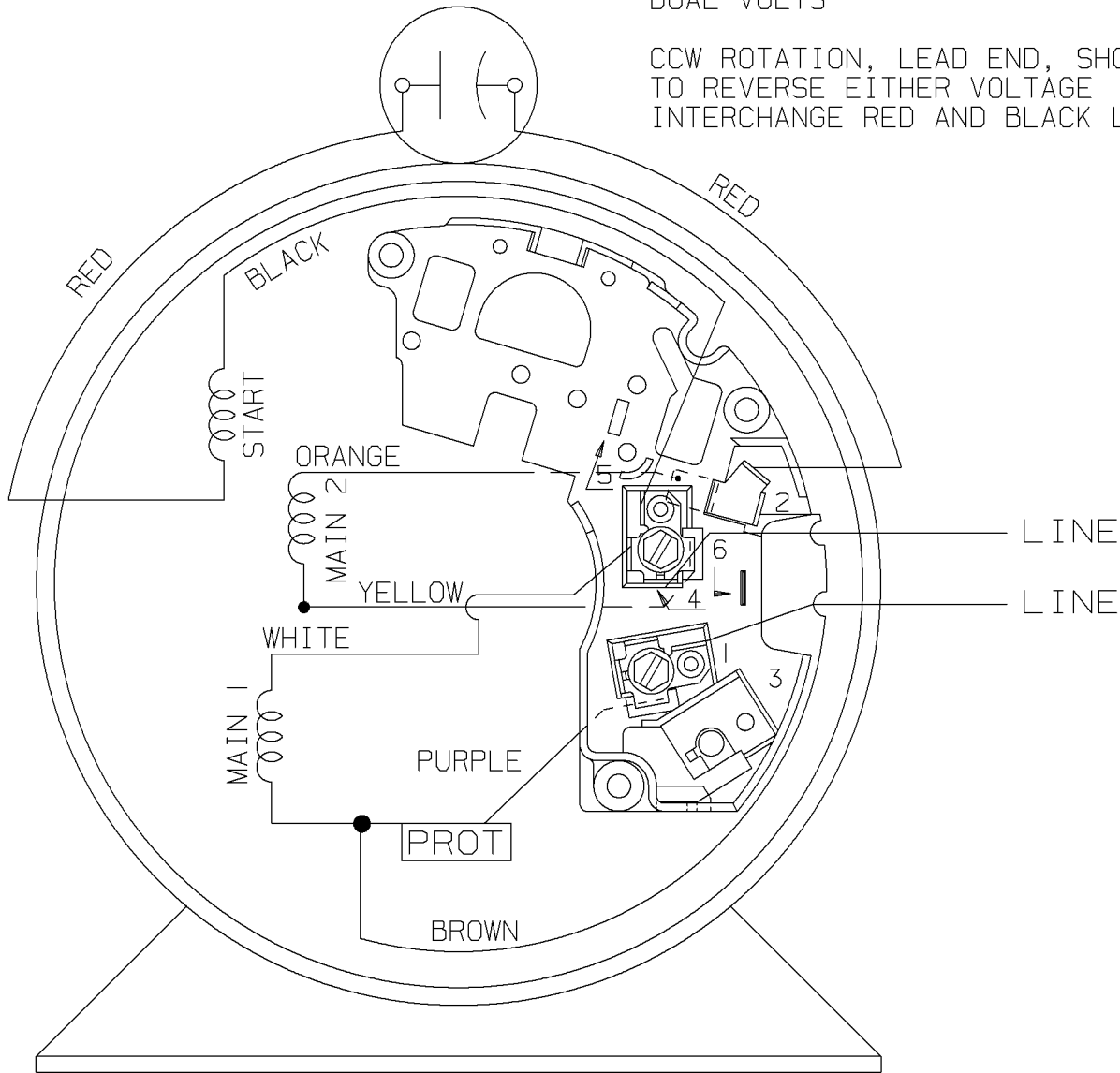
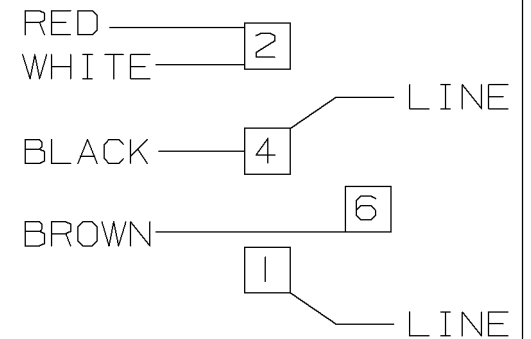
A- EE9057T-LN

CCW ROTATION, LEAD END, SHOWN
TO REVERSE EITHER VOLTAGE
INTERCHANGE RED AND BLACK LEADS.

LOW VOLTAGE



HIGH VOLTAGE



VIEW OF TERMINAL END

					✓ UNLESS OTHERWISE SPECIFIED DIMENSIONS ARE IN INCHES TOL. ON XX± XXX±.005 XXXX±.0005 ANGLES±				
					MAX. SURFACE ROUGHNESS UNLESS OTHERWISE NOTED			DRAWN BY TJB 11-18-1999	
				FINISH			CHKD BY		
				MATERIAL			APPD BY		
REV	DATE	CHANGE	NAME	PART NAME CONNECTION DIAGRAM				DRWG NO A- EE9057T-LN	
						PURCHASED		CADD FILE NO. EE9057T-LN	

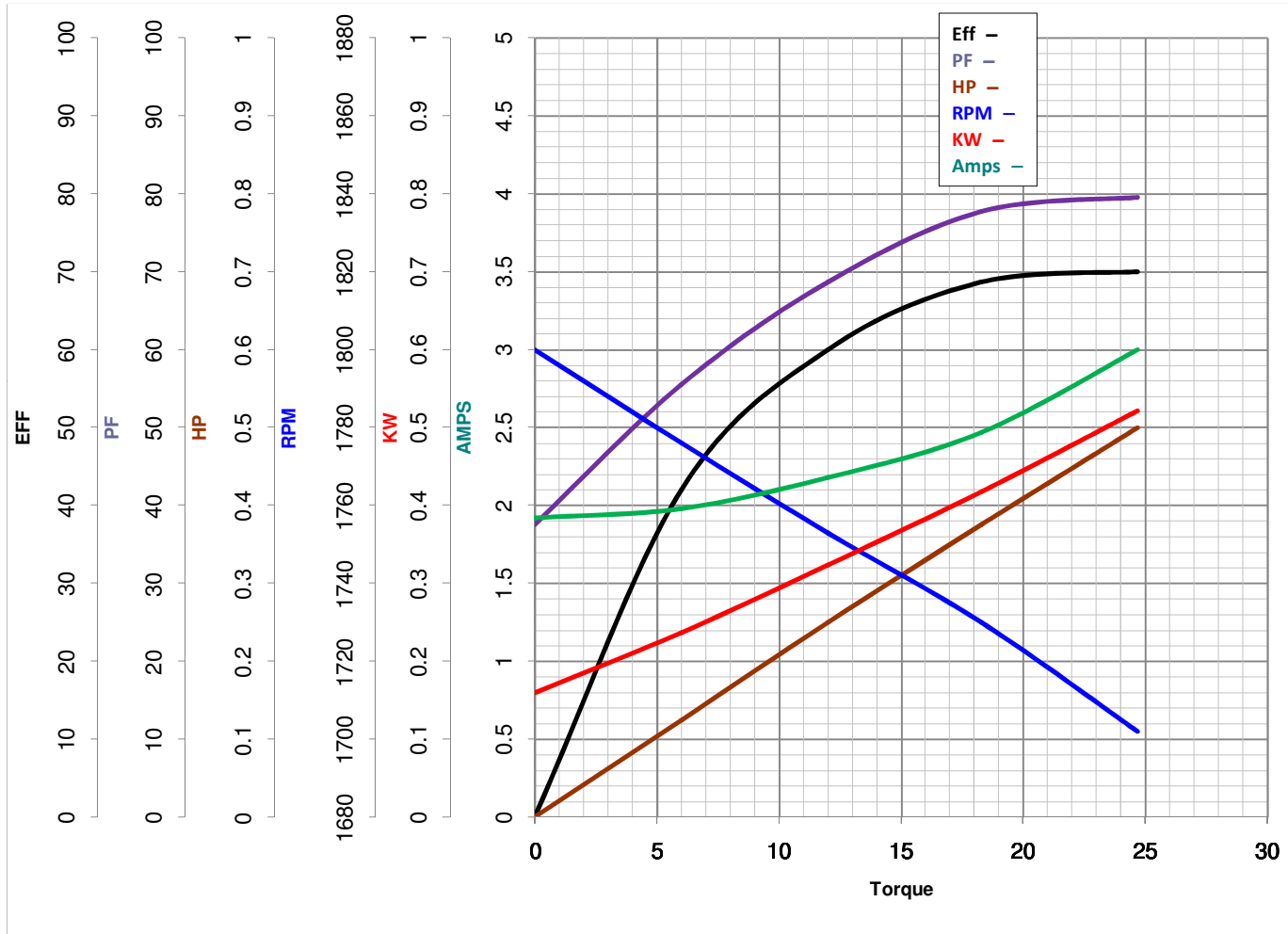


LEESON ELECTRIC CORPORATION
 TYPICAL PERFORMANCE CURVE for AC MOTOR

Model No LM24449

Catalog No LM24449B

Curve at 230 Volts HP 0.50 PHASE 1
60 HZ
0.5 HP VOLTS 115/230
 HZ 60 RPM 1625



Torque in Oz.Ft

FL TORQUE 24.7 Oz.Ft
 BD TORQUE 62.7 Oz.Ft
 LR TORQUE 18 Oz.Ft

FL AMPS 43254
 PU TORQUE 17.7 Oz.Ft
 LR AMPS 11.4

WINDING PE484318-3

Date 4/26/2018